

Pump control panel, Size 3 1/2, Three phase full voltage, Solid-state overload relay, OLR amp range 50-200A, 24VAC 50-60Hz coil, Standard type contactor, 200A fusible disconnect, 200A/600V fuse clip, HOA Sel Sw. & Start P.B., Enclosure NEMA type 3/3R, Weather proof outdoor use



Figure similar

| General technical data | |
|--|--------------------------|
| Weight [lb] | 81 lb |
| Height x Width x Depth [in] | 41 × 24 × 8 in |
| Protection against electrical shock | NA for enclosed products |
| Installation altitude [ft] at height above sea level maximum | 6560 ft |
| Ambient temperature [°F] during storage | -22 ... +149 °F |
| Ambient temperature [°F] during operation | -4 ... +104 °F |
| Ambient temperature during storage | -30 ... +65 °C |
| Ambient temperature during operation | -20 ... +40 °C |
| Country of origin | USA |
| Horsepower ratings | |
| Yielded mechanical performance [hp] for three-phase AC motor | |
| <ul style="list-style-type: none"> at 200/208 V rated value | 0 hp |
| <ul style="list-style-type: none"> at 220/230 V rated value | 0 hp |
| <ul style="list-style-type: none"> at 460/480 V rated value | 75 hp |

- at 575/600 V rated value

75 hp

Contactors

| | |
|---|---------|
| Number of NO contacts for main contacts | 3 |
| Operating voltage for main current circuit at AC at 60 Hz maximum | 600 V |
| Operating current at AC at 600 V rated value | 115 A |
| Mechanical service life (switching cycles) of the main contacts typical | 5000000 |

Auxiliary contact

| | |
|---|-------------------------------------|
| Number of NC contacts at contactor for auxiliary contacts | 0 |
| Number of NO contacts at contactor for auxiliary contacts | 1 |
| Number of total auxiliary contacts maximum | 7 |
| Contact rating of auxiliary contacts of contactor according to UL | 10A@600VAC (A600), 5A@600VDC (P600) |

Coil

| | |
|--|--------------|
| Type of voltage of the control supply voltage | AC |
| Control supply voltage | |
| <ul style="list-style-type: none"> • at DC rated value | 0 ... 0 V |
| <ul style="list-style-type: none"> • at AC at 60 Hz rated value | 24 ... 24 V |
| <ul style="list-style-type: none"> • at AC at 50 Hz rated value | 24 ... 24 V |
| Holding power at AC minimum | 14 W |
| Apparent pick-up power of magnet coil at AC | 310 V·A |
| Operating range factor control supply voltage rated value of magnet coil | 0.85 ... 1.1 |
| Percental drop-out voltage of magnet coil related to the input voltage | 50 % |
| Switch-on delay time | 26 ... 41 ms |
| Off-delay time | 14 ... 19 ms |

Overload relay

| | |
|--|---|
| Product function | |
| <ul style="list-style-type: none"> • Overload protection • Phase failure detection • Phase unbalance • Ground fault detection • Test function • External reset | <p>Yes</p> <p>Yes</p> <p>Yes</p> <p>Yes</p> <p>Yes</p> <p>Yes</p> |
| Reset function | Manual, automatic and remote |
| Trip class | Class 5 / 10 (factory set) / 20 / 30 |
| Adjustable pick-up value current of the current-dependent overload release | 50 ... 200 A |

| | |
|---|------------------------------------|
| Trip time at phase-loss maximum | 3 s |
| Relative repeat accuracy | 1 % |
| Product feature Protective coating on printed-circuit board | Yes |
| Number of NC contacts of auxiliary contacts of overload relay | 1 |
| Number of NO contacts of auxiliary contacts of overload relay | 1 |
| Operating current of auxiliary contacts of overload relay | 5 A 1 A |
| <ul style="list-style-type: none"> • at AC at 600 V • at DC at 250 V | |
| Contact rating of auxiliary contacts of overload relay according to UL | 5A@600VAC (B600), 1A@250VDC (R300) |
| Insulation voltage | 600 V 300 V |
| <ul style="list-style-type: none"> • with single-phase operation at AC rated value • with multi-phase operation at AC rated value | |

Disconnect Switch

| | |
|--|-----------------------------------|
| Rated response values of switch disconnector | 200A / 600V |
| Design of fuse holder | Class H fuse clips |
| Operating class of the fuse link | Class H, J (convertible), K and R |

Enclosure

| | |
|---|-------------------------------|
| Degree of protection NEMA rating of the enclosure | NEMA 3/3R |
| Design of the housing | Weather proof for outdoor use |

Standard Control Devices

| | |
|---|---------------------------------------|
| Product component Hand-Off-Auto selector switch | Yes |
| Type of Hand-Off-Auto selector switch | 30mm metal housing with chrome finish |
| Product component Start push button | Yes |
| Type of start push button | 30mm metal housing with chrome finish |

Mounting/wiring

| | |
|--|-----------------------------------|
| Mounting position | Vertical |
| (mounting type) | Surface mounting and installation |
| Type of electrical connection for supply voltage line-side | Box lug |
| Type of connectable conductor cross-sections at line-side at AWG conductors single or multi-stranded | 1x (6 AWG ... 300 Kcmil) |
| Temperature of the conductor for supply maximum permissible | 75 °C |
| Material of the conductor for supply | AL or CU |
| Type of electrical connection for load-side outgoing feeder | Box lug |
| Tightening torque [lbf·in] for load-side outgoing feeder | 120 ... 120 lbf·in |

| | |
|--|---|
| Type of connectable conductor cross-sections at AWG conductors for load-side outgoing feeder single or multi-stranded | 1x (14 ... 2/0 AWG) |
| Temperature of the conductor for load-side outgoing feeder maximum permissible | 75 °C |
| Material of the conductor for load-side outgoing feeder | AL or CU |
| Type of electrical connection of magnet coil | Screw-type terminals |
| Tightening torque [lbf-in] at magnet coil | 5 ... 12 lbf-in |
| Type of connectable conductor cross-sections of magnet coil at AWG conductors single or multi-stranded | 2x (16 ... 12 AWG) |
| Temperature of the conductor at magnet coil maximum permissible | 75 °C |
| Material of the conductor at magnet coil | CU |
| Type of electrical connection at contactor for auxiliary contacts | Screw-type terminals |
| Tightening torque [lbf-in] at contactor for auxiliary contacts | 10 ... 15 lbf-in |
| Type of connectable conductor cross-sections at contactor at AWG conductors for auxiliary contacts single or multi-stranded | 1x (12 AWG), 2x (16 ... 14 AWG), 2x (18 ... 16 AWG) |
| Temperature of the conductor at contactor for auxiliary contacts maximum permissible | 75 °C |
| Material of the conductor at contactor for auxiliary contacts | CU |
| Type of electrical connection at overload relay for auxiliary contacts | Screw-type terminals |
| Tightening torque [lbf-in] at overload relay for auxiliary contacts | 7 ... 10 lbf-in |
| Type of connectable conductor cross-sections at overload relay at AWG conductors for auxiliary contacts single or multi-stranded | 2x (20 ... 14 AWG) |
| Temperature of the conductor at overload relay for auxiliary contacts maximum permissible | 75 °C |
| Material of the conductor at overload relay for auxiliary contacts | CU |

Short-circuit current rating

| | |
|---|---|
| Design of the fuse link for short-circuit protection of the main circuit required | 10kA@600V (Class H or K); 100kA@600V (Class R or J) |
|---|---|

Further information

Industrial Controls - Product Overview (Catalogs, Brochures,...)

www.usa.siemens.com/iccatalog

Industry Mall (Online ordering system)

<https://mall.industry.siemens.com/mall/en/us/Catalog/product?mlfb=US2:87IUH6FJ>

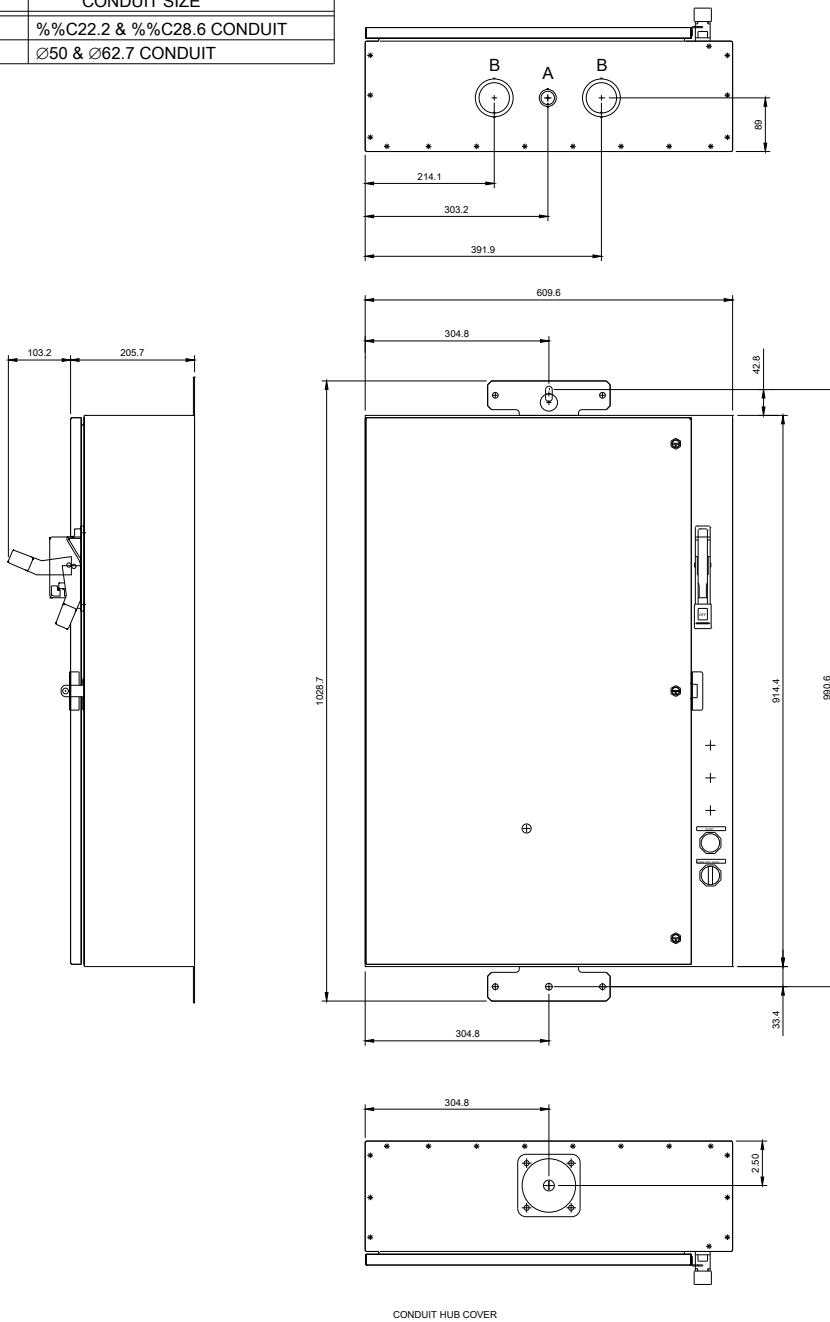
Service&Support (Manuals, Certificates, Characteristics, FAQs,...)

<https://support.industry.siemens.com/cs/US/en/ps/US2:87IUH6FJ>

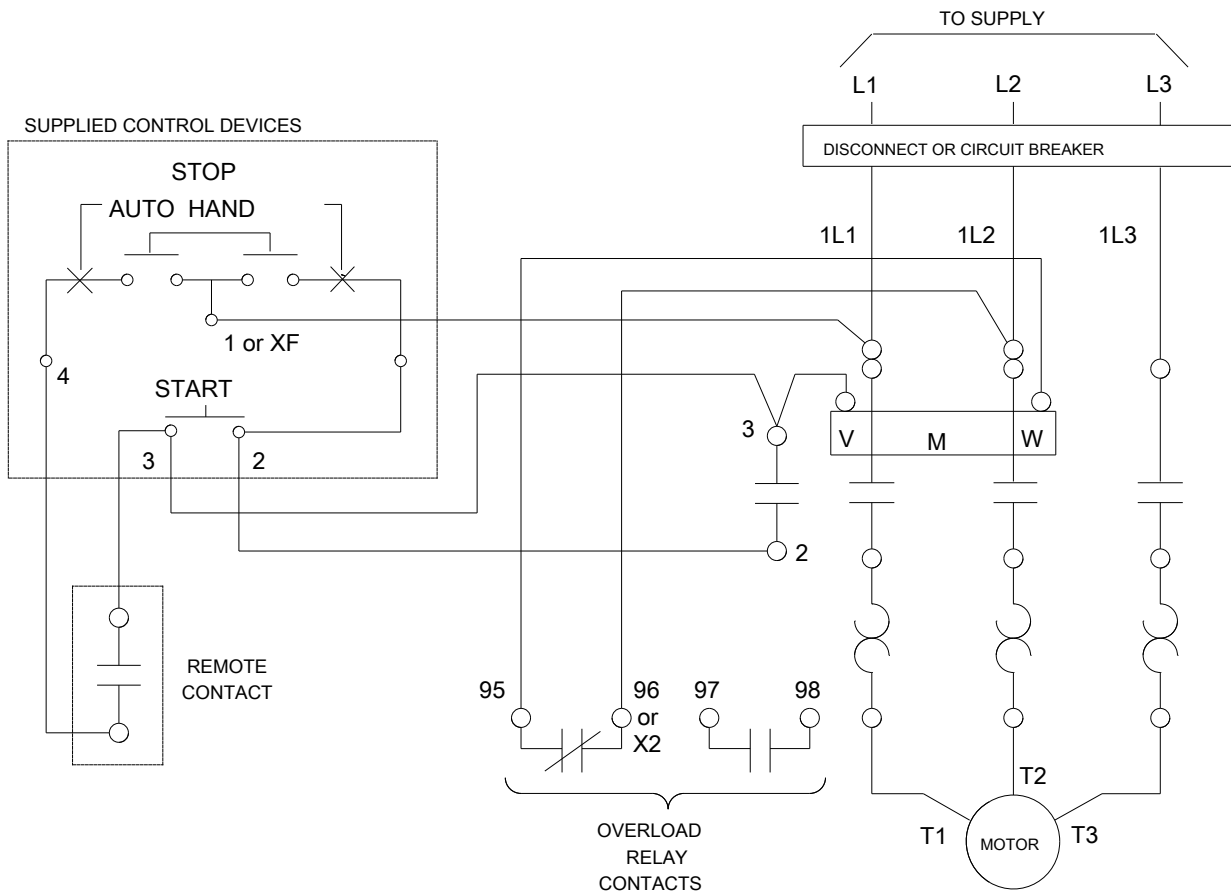
Certificates/approvals

<https://support.industry.siemens.com/cs/US/en/ps/US2:87IUH6FJ/certificate>

| LETTER | CONDUIT SIZE |
|--------|---------------------------|
| A | %%C22.2 & %%C28.6 CONDUIT |
| B | ∅50 & ∅62.7 CONDUIT |



CONDUIT HUB COVER



D63677012

last modified:

05/20/2019