

Pump control panel, Size 5, Three phase full voltage, Solid-state overload relay, OLR amp range 55-250A, 200-220V 50-60Hz/DC coil, Standard type contactor, 400A circuit breaker, HOA Sel Sw. & Start P.B., Enclosure NEMA type 3/3R, Weather proof outdoor use



Figure similar

General technical data	
Weight [lb]	205 lb
Height x Width x Depth [in]	72 × 20 × 11 in
Protection against electrical shock	NA for enclosed products
Installation altitude [ft] at height above sea level maximum	6560 ft
Ambient temperature [°F] during storage	-22 ... +149 °F
Ambient temperature [°F] during operation	-4 ... +104 °F
Ambient temperature during storage	-30 ... +65 °C
Ambient temperature during operation	-20 ... +40 °C
Country of origin	USA

Horsepower ratings	
Yielded mechanical performance [hp] for three-phase AC motor	
<ul style="list-style-type: none"> • at 200/208 V rated value • at 220/230 V rated value • at 460/480 V rated value 	<p>75 hp</p> <p>100 hp</p> <p>200 hp</p>

- at 575/600 V rated value

200 hp

Contactors

Number of NO contacts for main contacts	3
Operating voltage for main current circuit at AC at 60 Hz maximum	600 V
Operating current at AC at 600 V rated value	270 A
Mechanical service life (switching cycles) of the main contacts typical	10000000

Auxiliary contact

Number of NC contacts at contactor for auxiliary contacts	2
Number of NO contacts at contactor for auxiliary contacts	2
Number of total auxiliary contacts maximum	8
Contact rating of auxiliary contacts of contactor according to UL	10A@240VAC (A300), 2.5A@250VDC (Q300)

Coil

Type of voltage of the control supply voltage	AC/DC
Control supply voltage	
<ul style="list-style-type: none"> • at DC rated value 	200 ... 220 V
<ul style="list-style-type: none"> • at AC at 60 Hz rated value 	200 ... 220 V
<ul style="list-style-type: none"> • at AC at 50 Hz rated value 	200 ... 220 V
Holding power at AC minimum	7.4 W
Apparent pick-up power of magnet coil at AC	590 V·A
Apparent holding power of magnet coil at AC	6.7 V·A
Operating range factor control supply voltage rated value of magnet coil	0.85 ... 1.1
Percental drop-out voltage of magnet coil related to the input voltage	60 %
Switch-on delay time	30 ... 95 ms
Off-delay time	40 ... 80 ms

Overload relay

Product function	
<ul style="list-style-type: none"> • Overload protection 	Yes
<ul style="list-style-type: none"> • Phase failure detection 	Yes
<ul style="list-style-type: none"> • Phase unbalance 	Yes
<ul style="list-style-type: none"> • Ground fault detection 	No
<ul style="list-style-type: none"> • Test function 	Yes
<ul style="list-style-type: none"> • External reset 	Yes
Reset function	Manual and automatic
(trip class)	CLASS 10

Adjustable pick-up value current of the current-dependent overload release	55 ... 250 A
Product feature Protective coating on printed-circuit board	No
Number of NC contacts of auxiliary contacts of overload relay	1
Number of NO contacts of auxiliary contacts of overload relay	1
Operating current of auxiliary contacts of overload relay <ul style="list-style-type: none"> • at AC at 600 V • at DC at 250 V 	5 A 1 A
Contact rating of auxiliary contacts of overload relay according to UL	5A@600VAC (B600), 1A@250VDC (R300)
Insulation voltage <ul style="list-style-type: none"> • with single-phase operation at AC rated value • with multi-phase operation at AC rated value 	600 V 300 V

Enclosure

Degree of protection NEMA rating of the enclosure	NEMA 3/3R
Design of the housing	Weather proof for outdoor use

Standard Control Devices

Product component Hand-Off-Auto selector switch	Yes
Type of Hand-Off-Auto selector switch	30mm metal housing with chrome finish
Product component Start push button	Yes
Type of start push button	30mm metal housing with chrome finish

Motor Circuit Protector (magnetic trip only)

Operating current of motor circuit breaker rated value	400 A
Adjustable pick-up value current of instantaneous short-circuit trip unit	2000 ... 4000 A

Mounting/wiring

(mounting position)	Vertical
(mounting type)	Surface mounting and installation
Type of electrical connection for supply voltage line-side	Box lug
Type of connectable conductor cross-sections at line-side at AWG conductors single or multi-stranded	2x (3/0 ... 500 kcmil) or 2x (4/0 ... 500 kcmil)
Temperature of the conductor for supply maximum permissible	75 °C
Material of the conductor for supply	AL or CU
Type of electrical connection for load-side outgoing feeder	Box lug
Tightening torque [lbf·in] for load-side outgoing feeder	180 ... 220 lbf·in

Type of connectable conductor cross-sections at AWG conductors for load-side outgoing feeder single or multi-stranded	2x 2/0 AWG ... 500 MCM
Temperature of the conductor for load-side outgoing feeder maximum permissible	75 °C
Material of the conductor for load-side outgoing feeder	CU
Type of electrical connection of magnet coil	Screw-type terminals
Tightening torque [lbf-in] at magnet coil	7 ... 10 lbf-in
Type of connectable conductor cross-sections of magnet coil at AWG conductors single or multi-stranded	2x (18 ... 14 AWG)
Temperature of the conductor at magnet coil maximum permissible	75 °C
Material of the conductor at magnet coil	CU
Type of electrical connection at contactor for auxiliary contacts	Screw-type terminals
Tightening torque [lbf-in] at contactor for auxiliary contacts	7 ... 10 lbf-in
Type of connectable conductor cross-sections at contactor at AWG conductors for auxiliary contacts single or multi-stranded	2x (20 ... 16 AWG), 2x (18 ... 14 AWG)
Temperature of the conductor at contactor for auxiliary contacts maximum permissible	75 °C
Material of the conductor at contactor for auxiliary contacts	CU
Type of electrical connection at overload relay for auxiliary contacts	Screw-type terminals
Tightening torque [lbf-in] at overload relay for auxiliary contacts	7 ... 10 lbf-in
Type of connectable conductor cross-sections at overload relay at AWG conductors for auxiliary contacts single or multi-stranded	2x (20 ... 14 AWG)
Temperature of the conductor at overload relay for auxiliary contacts maximum permissible	75 °C
Material of the conductor at overload relay for auxiliary contacts	CU

Short-circuit current rating	
Design of the short-circuit trip	Instantaneous trip circuit breaker
Maximum short-circuit current breaking capacity (Icu)	
<ul style="list-style-type: none"> • at 240 V • at 480 V • at 600 V 	100 kA 100 kA 25 kA

Further information

Industrial Controls - Product Overview (Catalogs, Brochures,...)
www.usa.siemens.com/iccatalog

Industry Mall (Online ordering system)

<https://mall.industry.siemens.com/mall/en/us/Catalog/product?mlfb=US2:87LPU6MD>

Service&Support (Manuals, Certificates, Characteristics, FAQs,...)

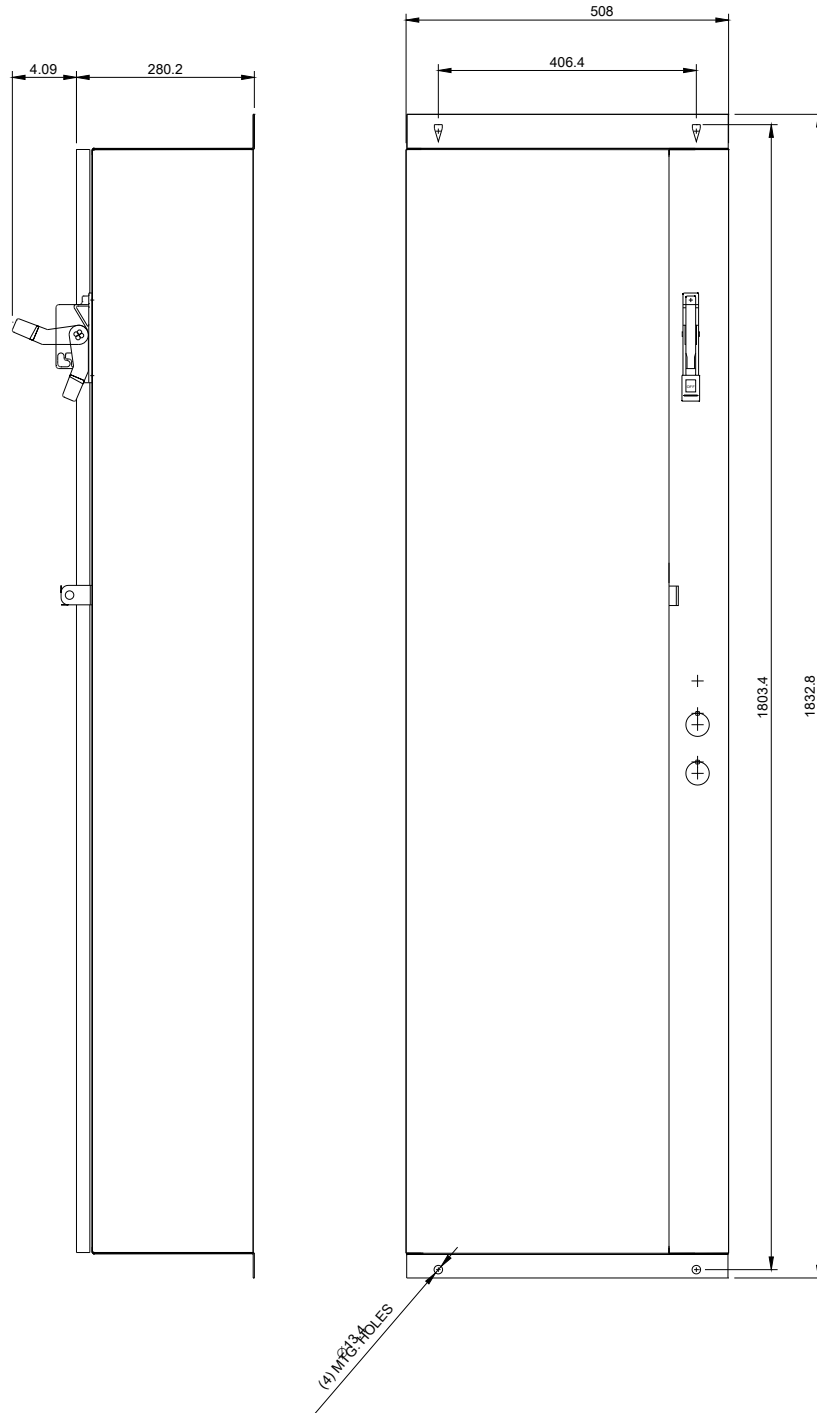
<https://support.industry.siemens.com/cs/US/en/ps/US2:87LPU6MD>

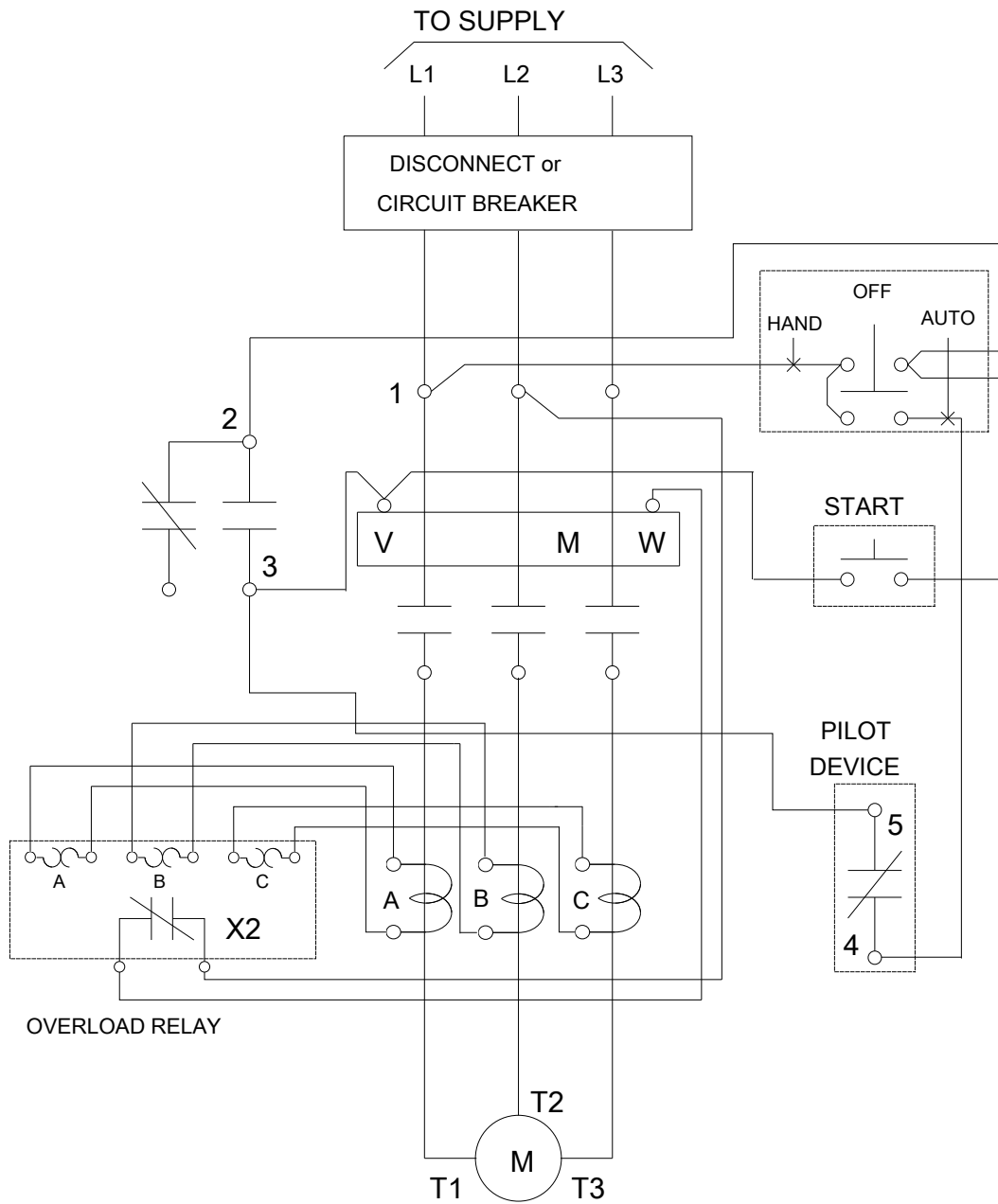
Image database (product images, 2D dimension drawings, 3D models, device circuit diagrams, EPLAN macros, ...)

http://www.automation.siemens.com/bilddb/cax_de.aspx?mlfb=US2:87LPU6MD&lang=en

Certificates/approvals

<https://support.industry.siemens.com/cs/US/en/ps/US2:87LPU6MD/certificate>





D63677009

last modified:

05/20/2019