

Pump control panel, Size 5, Three phase full voltage, Solid-state overload relay, OLR amp range 55-250A, 23-26V 50-60Hz/DC coil, Standard type contactor, 400A circuit breaker, HOA Sel Sw. & Start P.B., Enclosure NEMA type 3/3R, Weather proof outdoor use



Figure similar

| General technical data | |
|--|--------------------------|
| Weight [lb] | 205 lb |
| Height x Width x Depth [in] | 72 × 20 × 11 in |
| Protection against electrical shock | NA for enclosed products |
| Installation altitude [ft] at height above sea level maximum | 6560 ft |
| Ambient temperature [°F] during storage | -22 ... +149 °F |
| Ambient temperature [°F] during operation | -4 ... +104 °F |
| Ambient temperature during storage | -30 ... +65 °C |
| Ambient temperature during operation | -20 ... +40 °C |
| Country of origin | USA |

| Horsepower ratings | |
|--|--------|
| Yielded mechanical performance [hp] for three-phase AC motor | |
| <ul style="list-style-type: none"> at 200/208 V rated value | 75 hp |
| <ul style="list-style-type: none"> at 220/230 V rated value | 100 hp |
| <ul style="list-style-type: none"> at 460/480 V rated value | 200 hp |

- at 575/600 V rated value

200 hp

Contactors

| | |
|---|----------|
| Number of NO contacts for main contacts | 3 |
| Operating voltage for main current circuit at AC at 60 Hz maximum | 600 V |
| Operating current at AC at 600 V rated value | 270 A |
| Mechanical service life (switching cycles) of the main contacts typical | 10000000 |

Auxiliary contact

| | |
|---|---------------------------------------|
| Number of NC contacts at contactor for auxiliary contacts | 2 |
| Number of NO contacts at contactor for auxiliary contacts | 2 |
| Number of total auxiliary contacts maximum | 8 |
| Contact rating of auxiliary contacts of contactor according to UL | 10A@240VAC (A300), 2.5A@250VDC (Q300) |

Coil

| | |
|--|--------------|
| Type of voltage of the control supply voltage | AC/DC |
| Control supply voltage | |
| • at DC rated value | 23 ... 26 V |
| • at AC at 60 Hz rated value | 23 ... 26 V |
| • at AC at 50 Hz rated value | 23 ... 26 V |
| Holding power at AC minimum | 7.4 W |
| Apparent pick-up power of magnet coil at AC | 590 V·A |
| Apparent holding power of magnet coil at AC | 6.7 V·A |
| Operating range factor control supply voltage rated value of magnet coil | 0.85 ... 1.1 |
| Percental drop-out voltage of magnet coil related to the input voltage | 60 % |
| Switch-on delay time | 30 ... 95 ms |
| Off-delay time | 40 ... 80 ms |

Overload relay

| | |
|---------------------------|----------------------|
| Product function | |
| • Overload protection | Yes |
| • Phase failure detection | Yes |
| • Phase unbalance | Yes |
| • Ground fault detection | No |
| • Test function | Yes |
| • External reset | Yes |
| Reset function | Manual and automatic |
| (trip class) | CLASS 10 |

| | |
|--|------------------------------------|
| Adjustable pick-up value current of the current-dependent overload release | 55 ... 250 A |
| Product feature Protective coating on printed-circuit board | No |
| Number of NC contacts of auxiliary contacts of overload relay | 1 |
| Number of NO contacts of auxiliary contacts of overload relay | 1 |
| Operating current of auxiliary contacts of overload relay <ul style="list-style-type: none"> • at AC at 600 V • at DC at 250 V | 5 A 1 A |
| Contact rating of auxiliary contacts of overload relay according to UL | 5A@600VAC (B600), 1A@250VDC (R300) |
| Insulation voltage <ul style="list-style-type: none"> • with single-phase operation at AC rated value • with multi-phase operation at AC rated value | 600 V 300 V |

Enclosure

| | |
|---|-------------------------------|
| Degree of protection NEMA rating of the enclosure | NEMA 3/3R |
| Design of the housing | Weather proof for outdoor use |

Standard Control Devices

| | |
|---|---------------------------------------|
| Product component Hand-Off-Auto selector switch | Yes |
| Type of Hand-Off-Auto selector switch | 30mm metal housing with chrome finish |
| Product component Start push button | Yes |
| Type of start push button | 30mm metal housing with chrome finish |

Motor Circuit Protector (magnetic trip only)

| | |
|---|-----------------|
| Operating current of motor circuit breaker rated value | 400 A |
| Adjustable pick-up value current of instantaneous short-circuit trip unit | 2000 ... 4000 A |

Mounting/wiring

| | |
|--|--|
| (mounting position) | Vertical |
| (mounting type) | Surface mounting and installation |
| Type of electrical connection for supply voltage line-side | Box lug |
| Type of connectable conductor cross-sections at line-side at AWG conductors single or multi-stranded | 2x (3/0 ... 500 kcmil) or 2x (4/0 ... 500 kcmil) |
| Temperature of the conductor for supply maximum permissible | 75 °C |
| Material of the conductor for supply | AL or CU |
| Type of electrical connection for load-side outgoing feeder | Box lug |
| Tightening torque [lbf·in] for load-side outgoing feeder | 180 ... 220 lbf·in |

| | |
|--|--|
| Type of connectable conductor cross-sections at AWG conductors for load-side outgoing feeder single or multi-stranded | 2x 2/0 AWG ... 500 MCM |
| Temperature of the conductor for load-side outgoing feeder maximum permissible | 75 °C |
| Material of the conductor for load-side outgoing feeder | CU |
| Type of electrical connection of magnet coil | Screw-type terminals |
| Tightening torque [lbf-in] at magnet coil | 7 ... 10 lbf-in |
| Type of connectable conductor cross-sections of magnet coil at AWG conductors single or multi-stranded | 2x (18 ... 14 AWG) |
| Temperature of the conductor at magnet coil maximum permissible | 75 °C |
| Material of the conductor at magnet coil | CU |
| Type of electrical connection at contactor for auxiliary contacts | Screw-type terminals |
| Tightening torque [lbf-in] at contactor for auxiliary contacts | 7 ... 10 lbf-in |
| Type of connectable conductor cross-sections at contactor at AWG conductors for auxiliary contacts single or multi-stranded | 2x (20 ... 16 AWG), 2x (18 ... 14 AWG) |
| Temperature of the conductor at contactor for auxiliary contacts maximum permissible | 75 °C |
| Material of the conductor at contactor for auxiliary contacts | CU |
| Type of electrical connection at overload relay for auxiliary contacts | Screw-type terminals |
| Tightening torque [lbf-in] at overload relay for auxiliary contacts | 7 ... 10 lbf-in |
| Type of connectable conductor cross-sections at overload relay at AWG conductors for auxiliary contacts single or multi-stranded | 2x (20 ... 14 AWG) |
| Temperature of the conductor at overload relay for auxiliary contacts maximum permissible | 75 °C |
| Material of the conductor at overload relay for auxiliary contacts | CU |

Short-circuit current rating

| | |
|--|------------------------------------|
| Design of the short-circuit trip | Instantaneous trip circuit breaker |
| Maximum short-circuit current breaking capacity (Icu) | |
| <ul style="list-style-type: none"> • at 240 V • at 480 V • at 600 V | 100 kA 100 kA 25 kA |

Further information

Industrial Controls - Product Overview (Catalogs, Brochures,...)
www.usa.siemens.com/iccatalog

Industry Mall (Online ordering system)

<https://mall.industry.siemens.com/mall/en/us/Catalog/product?mlfb=US2:87LPU6MJ>

Service&Support (Manuals, Certificates, Characteristics, FAQs,...)

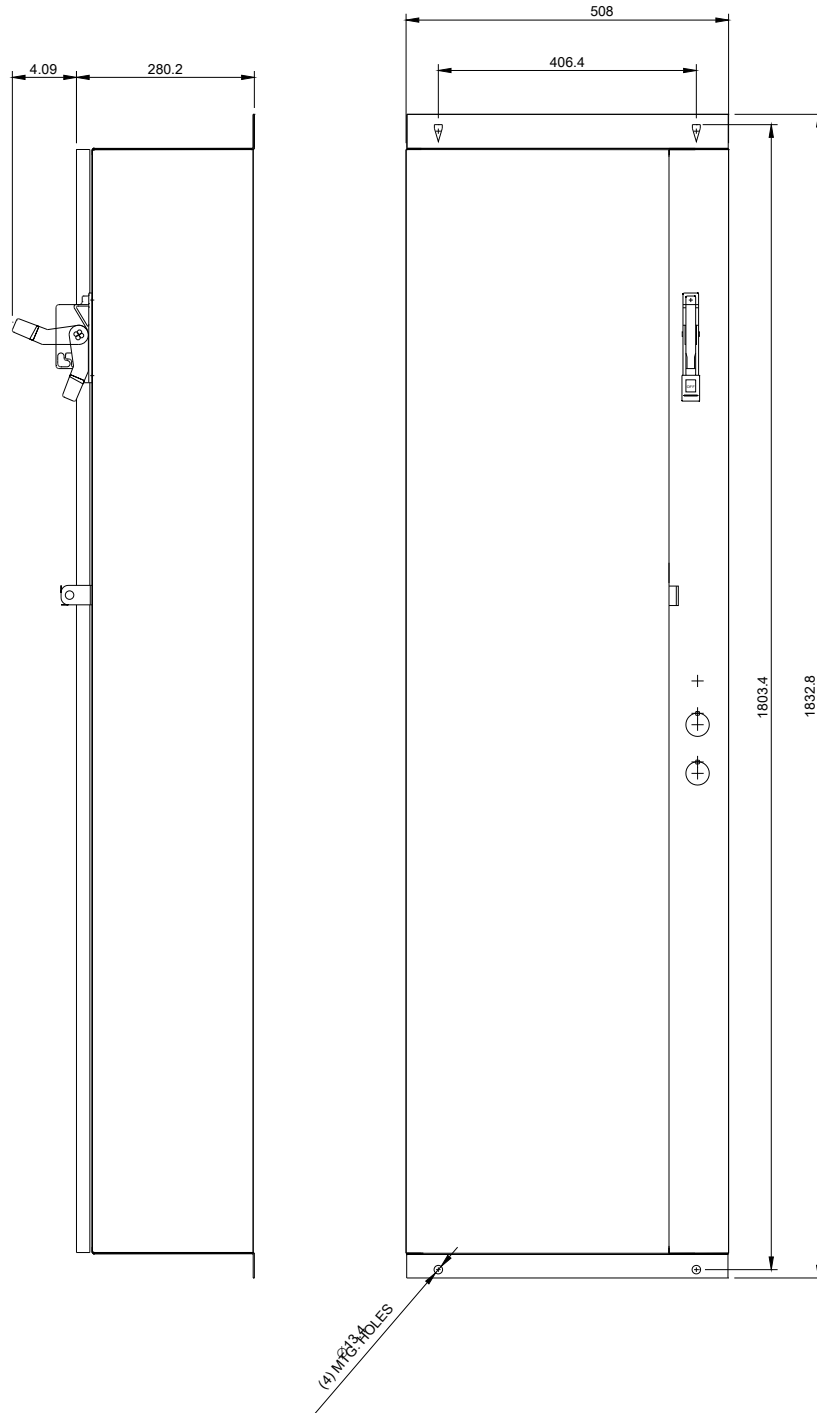
<https://support.industry.siemens.com/cs/US/en/ps/US2:87LPU6MJ>

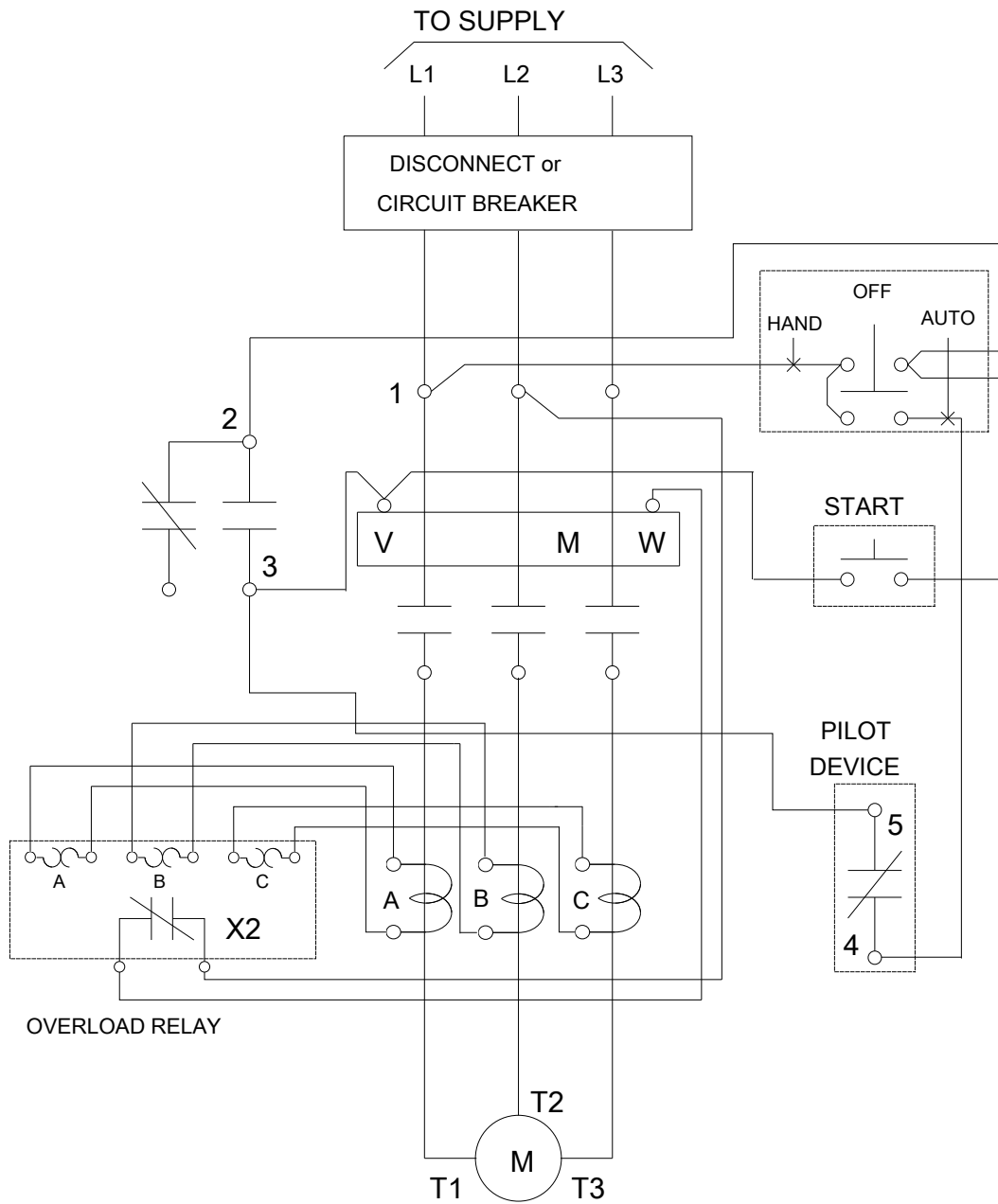
Image database (product images, 2D dimension drawings, 3D models, device circuit diagrams, EPLAN macros, ...)

http://www.automation.siemens.com/bilddb/cax_de.aspx?mlfb=US2:87LPU6MJ&lang=en

Certificates/approvals

<https://support.industry.siemens.com/cs/US/en/ps/US2:87LPU6MJ/certificate>





D63677009

last modified:

05/20/2019