

Mechanically held lighting contactor, Contactor amp rating 30Amp  
 0NC \_ 6NO poles, 110VAC 50HZ/120VAC 60HZ coil, Non-  
 combination type, Enclosure NEMA type open, No enclosure



Figure similar

| General technical data  |                                      |
|---|--------------------------------------|
| Weight [lb]   | 7 lb                                 |
| Height x Width x Depth [in]   | 5.87 × 8 × 4.86 in                   |
| Protection against electrical shock   | Not finger-safe                      |
| Installation altitude [ft] at height above sea level maximum  | 6560 ft                              |
| Country of origin   | USA                                  |
| Contactor   |                                      |
| Number of NO contacts for main contacts   | 6                                    |
| Number of NC contacts for main contacts   | 0                                    |
| Operating voltage for main current circuit at AC at 60 Hz maximum   | 600 V                                |
| Mechanical service life (switching cycles) of the main contacts typical   | 10000000                             |
| Contact rating of the main contacts of lighting contactor   |                                      |
| <ul style="list-style-type: none"> <li>at tungsten (1 pole per 1 phase) rated value</li> <li>at tungsten (2 poles per 1 phase) rated value</li> </ul> | 30A @277V 1p 1ph<br>30A @480V 2p 1ph |

- at tungsten (3 poles per 3 phases) rated value 30A @480V 3p 3ph
- at ballast (1 pole per 1 phase) rated value 30A @347V 1p 1ph
- at ballast (2 poles per 1 phase) rated value 30A @600V 2p 1ph
- at ballast (3 poles per 3 phases) rated value 30A @600V 3p 3ph
- at resistive load (1 pole per 1 phase) rated value 30A @347V 1p 1ph
- at resistive load (2 poles per 1 phase) rated value 30A @600V 2p 1ph
- at resistive load (3 poles per 3 phases) rated value 30A @600V 3p 3ph

#### Auxiliary contact

|   |    |
|---|----|
| Number of NC contacts for auxiliary contacts                      | 0  |
| Number of NO contacts for auxiliary contacts                      | 0  |
| Number of total auxiliary contacts maximum                        | 4  |
| Contact rating of auxiliary contacts of contactor according to UL | NA |

#### Coil

|  |               |
|--|---------------|
| Type of voltage of the control supply voltage                            | AC            |
| Control supply voltage   |               |
| • at DC rated value  | 0 ... 0 V     |
| • at AC at 60 Hz rated value   | 120 ... 120 V |
| • at AC at 50 Hz rated value   | 110 ... 110 V |
| Apparent pick-up power of magnet coil at AC                              | 820 V·A       |
| Apparent holding power of magnet coil at AC                              | 80 V·A        |
| Operating range factor control supply voltage rated value of magnet coil | 0.85 ... 1.1  |

#### Enclosure

|   |                            |
|---|----------------------------|
| Degree of protection NEMA rating of the enclosure | Open device (no enclosure) |
| Design of the housing                             | NA                         |

#### Mounting/wiring

|  |                                   |
|--|-----------------------------------|
| (mounting position)  | Vertical                          |
| (mounting type)  | Surface mounting and installation |
| Type of electrical connection for supply voltage line-side   | Screw-type terminals              |
| Tightening torque [lbf·in] for supply  | 18 ... 20 lbf·in                  |
| Type of connectable conductor cross-sections at line-side at AWG conductors single or multi-stranded | 2x (14 ... 8 AWG)                 |
| Temperature of the conductor for supply maximum permissible  | 75 °C                             |
| Material of the conductor for supply   | CU                                |
| Type of electrical connection for load-side outgoing feeder  | Screw-type terminals              |

|   |                      |
|---|----------------------|
| Tightening torque [lbf·in] for load-side outgoing feeder  | 18 ... 20 lbf·in     |
| Type of connectable conductor cross-sections at AWG conductors for load-side outgoing feeder single or multi-stranded | 2x (14 ... 8 AWG)    |
| Temperature of the conductor for load-side outgoing feeder maximum permissible  | 75 °C                |
| Material of the conductor for load-side outgoing feeder   | CU                   |
| Type of electrical connection of magnet coil  | Screw-type terminals |
| Tightening torque [lbf·in] at magnet coil   | 8 ... 12 lbf·in      |
| Type of connectable conductor cross-sections of magnet coil at AWG conductors single or multi-stranded                | 2x (16 ... 12 AWG)   |
| Temperature of the conductor at magnet coil maximum permissible   | 75 °C                |
| Material of the conductor at magnet coil  | CU                   |

### Short-circuit current rating

|   |                                  |
|---|----------------------------------|
| Design of the fuse link for short-circuit protection of the main circuit required | none                             |
| Design of the short-circuit trip  | Thermal magnetic circuit breaker |
| Maximum short-circuit current breaking capacity (I <sub>cu</sub> )                |                                  |
| • at 240 V  | 5 kA                             |
| • at 480 V  | 5 kA                             |
| • at 600 V  | 5 kA                             |

### Further information

**Industrial Controls - Product Overview (Catalogs, Brochures,...)**

[www.usa.siemens.com/iccatalog](http://www.usa.siemens.com/iccatalog)

**Industry Mall (Online ordering system)**

<https://mall.industry.siemens.com/mall/en/us/Catalog/product?mlfb=US2:CLM0C06120>

**Service&Support (Manuals, Certificates, Characteristics, FAQs,...)**

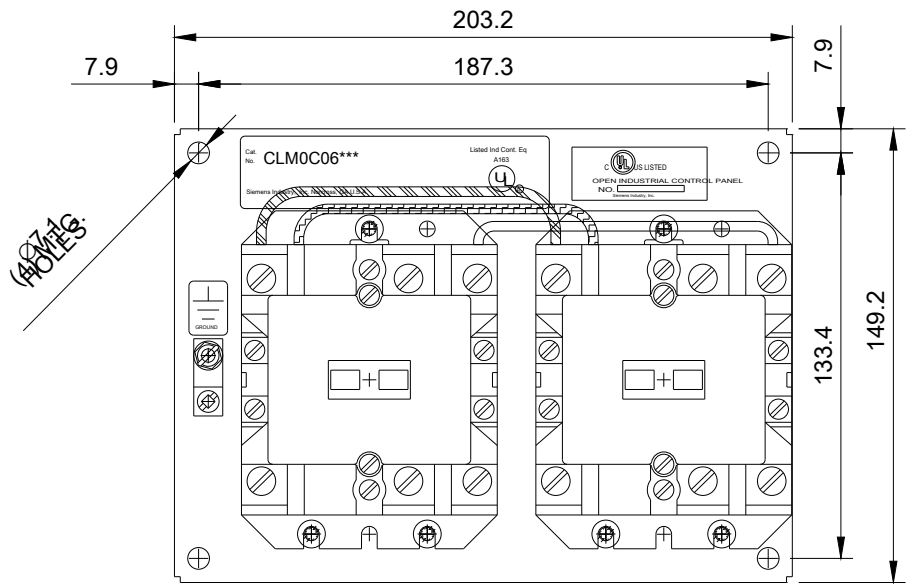
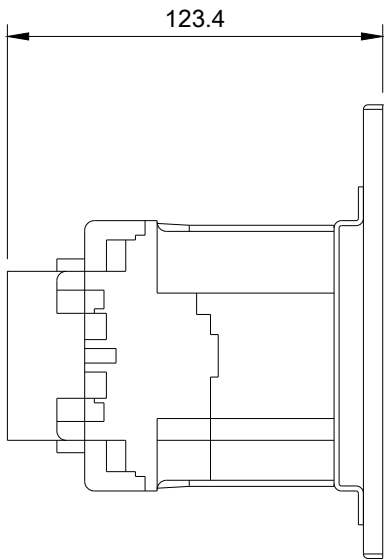
<https://support.industry.siemens.com/cs/US/en/ps/US2:CLM0C06120>

**Image database (product images, 2D dimension drawings, 3D models, device circuit diagrams, EPLAN macros, ...)**

[http://www.automation.siemens.com/bilddb/cax\\_de.aspx?mlfb=US2:CLM0C06120&lang=en](http://www.automation.siemens.com/bilddb/cax_de.aspx?mlfb=US2:CLM0C06120&lang=en)

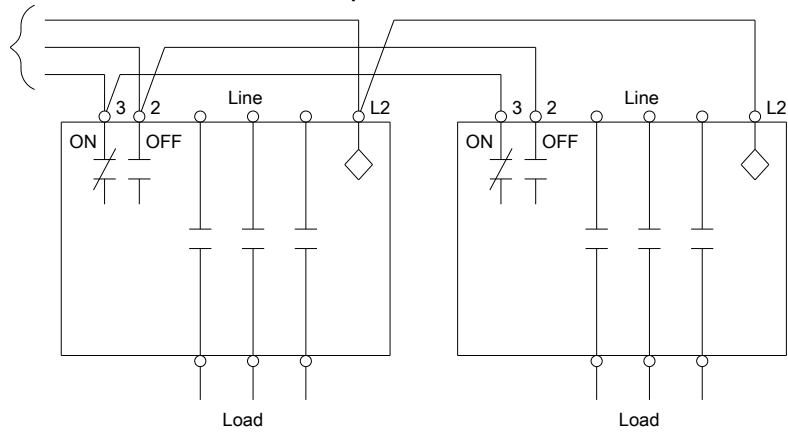
**Certificates/approvals**

<https://support.industry.siemens.com/cs/US/en/ps/US2:CLM0C06120/certificate>



Wiring Diagram Class CLM  
30-60 Amp 6 Pole

To Control  
Devices



Optional auxiliary contacts are not shown.

E87010-A0410-T009-A1-CLM-2

last modified:

05/20/2019