

Mechanically held lighting contactor, Contactor amp rating 100Amp
 0NC _ 5NO poles, 24VAC 60HZ coil, Non-combination type,
 Enclosure NEMA type open, No enclosure



Figure similar

| General technical data | |
|---|--|
| Weight [lb] | 8 lb |
| Height x Width x Depth [in] | 7.51 × 6.86 × 6.98 in |
| Protection against electrical shock | Not finger-safe |
| Installation altitude [ft] at height above sea level maximum | 6560 ft |
| Country of origin | USA |
| Contactor | |
| Number of NO contacts for main contacts | 5 |
| Number of NC contacts for main contacts | 0 |
| Operating voltage for main current circuit at AC at 60 Hz maximum | 600 V |
| Mechanical service life (switching cycles) of the main contacts typical | 5000000 |
| Contact rating of the main contacts of lighting contactor | |
| <ul style="list-style-type: none"> at tungsten (1 pole per 1 phase) rated value at tungsten (2 poles per 1 phase) rated value | 100A @277V 1p 1ph 100A @480V 2p 1ph |

- at tungsten (3 poles per 3 phases) rated value 100A @480V 3p 3ph
- at ballast (1 pole per 1 phase) rated value 100A @347V 1p 1ph
- at ballast (2 poles per 1 phase) rated value 100A @600V 2p 1ph
- at ballast (3 poles per 3 phases) rated value 100A @600V 3p 3ph
- at resistive load (1 pole per 1 phase) rated value 100A @347V 1p 1ph
- at resistive load (2 poles per 1 phase) rated value 100A @600V 2p 1ph
- at resistive load (3 poles per 3 phases) rated value 100A @600V 3p 3ph

Auxiliary contact

| | |
|---|----|
| Number of NC contacts for auxiliary contacts | 0 |
| Number of NO contacts for auxiliary contacts | 0 |
| Number of total auxiliary contacts maximum | 4 |
| Contact rating of auxiliary contacts of contactor according to UL | NA |

Coil

| | |
|--|--------------|
| Type of voltage of the control supply voltage | AC |
| Control supply voltage | |
| • at DC rated value | 0 ... 0 V |
| • at AC at 60 Hz rated value | 24 ... 24 V |
| • at AC at 50 Hz rated value | 0 ... 0 V |
| Apparent pick-up power of magnet coil at AC | 1300 V·A |
| Apparent holding power of magnet coil at AC | 130 V·A |
| Operating range factor control supply voltage rated value of magnet coil | 0.85 ... 1.1 |

Enclosure

| | |
|---|----------------------------|
| Degree of protection NEMA rating of the enclosure | Open device (no enclosure) |
| Design of the housing | NA |

Mounting/wiring

| | |
|--|-----------------------------------|
| (mounting position) | Vertical |
| (mounting type) | Surface mounting and installation |
| Type of electrical connection for supply voltage line-side | Box lug |
| Tightening torque [lbf·in] for supply | 90 ... 100 lbf·in |
| Type of connectable conductor cross-sections at line-side at AWG conductors single or multi-stranded | 1x (6 ... 1/0 AWG) |
| Temperature of the conductor for supply maximum permissible | 75 °C |
| Material of the conductor for supply | AL or CU |
| Type of electrical connection for load-side outgoing feeder | Box lug |

| | |
|---|----------------------|
| Tightening torque [lbf·in] for load-side outgoing feeder | 90 ... 100 lbf·in |
| Type of connectable conductor cross-sections at AWG conductors for load-side outgoing feeder single or multi-stranded | 1x (6 ... 1/0 AWG) |
| Temperature of the conductor for load-side outgoing feeder maximum permissible | 75 °C |
| Material of the conductor for load-side outgoing feeder | AL or CU |
| Type of electrical connection of magnet coil | Screw-type terminals |
| Tightening torque [lbf·in] at magnet coil | 8 ... 12 lbf·in |
| Type of connectable conductor cross-sections of magnet coil at AWG conductors single or multi-stranded | 2x (16 ... 12 AWG) |
| Temperature of the conductor at magnet coil maximum permissible | 75 °C |
| Material of the conductor at magnet coil | CU |

Short-circuit current rating

| | |
|--|----------------------------------|
| Design of the fuse link for short-circuit protection of the main circuit required | none |
| Design of the short-circuit trip | Thermal magnetic circuit breaker |
| Maximum short-circuit current breaking capacity (Icu) <ul style="list-style-type: none"> • at 240 V • at 480 V • at 600 V | 5 kA 5 kA 5 kA |

Further information

Industrial Controls - Product Overview (Catalogs, Brochures,...)

www.usa.siemens.com/iccatalog

Industry Mall (Online ordering system)

<https://mall.industry.siemens.com/mall/en/us/Catalog/product?mlfb=US2:CLM0E05024>

Service&Support (Manuals, Certificates, Characteristics, FAQs,...)

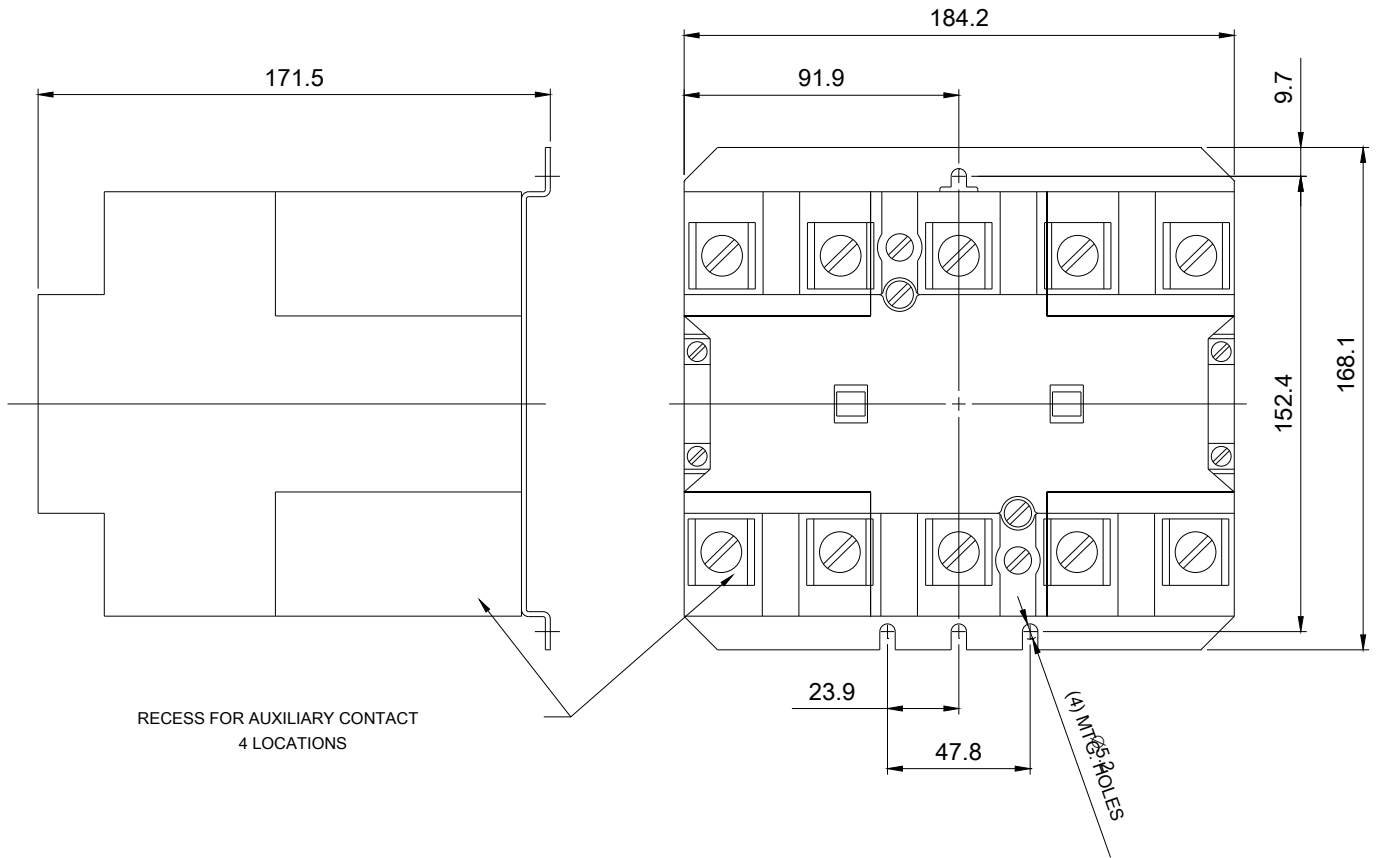
<https://support.industry.siemens.com/cs/US/en/ps/US2:CLM0E05024>

Image database (product images, 2D dimension drawings, 3D models, device circuit diagrams, EPLAN macros, ...)

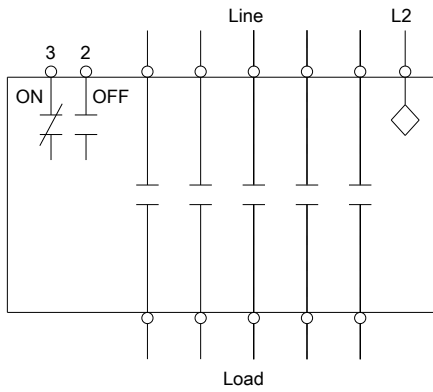
http://www.automation.siemens.com/bilddb/cax_de.aspx?mlfb=US2:CLM0E05024&lang=en

Certificates/approvals

<https://support.industry.siemens.com/cs/US/en/ps/US2:CLM0E05024/certificate>



Wiring Diagram Class CLM
30-200 Amp 2, 3, 4 and 5 Pole



Notes:

1. Dotted lines represent additional poles.
Contactor may have 2, 3, 4 or 5 poles.
2. Optional auxiliary contacts are not shown.

E87010-A0410-T009-A1-CLM-1

last modified:

05/20/2019