

Mechanically held lighting contactor, Contactor amp rating 20Amp
 0NC - 10NO poles, 208-240V 50/60HZ coil, Non-combination type,
 Encl NEMA type 4X 304 S-steel Water/dust tight noncorrosive



Figure similar

| General technical data | |
|---------------------------------------------------------------------------------------------------------------------------------------------------------------------------------------------------------------------|-------------------------------------------------------------------------|
| Weight [lb] | 9 lb |
| Height x Width x Depth [in] | 16 × 13 × 6 in |
| Protection against electrical shock | NA for enclosed products |
| Installation altitude [ft] at height above sea level maximum | 6560 ft |
| Country of origin | USA |
| Contactor | |
| Number of NO contacts for main contacts | 10 |
| Number of NC contacts for main contacts | 0 |
| Operating voltage for main current circuit at AC at 60 Hz maximum | 600 V |
| Contact rating of the main contacts of lighting contactor | |
| <ul style="list-style-type: none"> • at tungsten (1 pole per 1 phase) rated value • at tungsten (2 poles per 1 phase) rated value • at tungsten (3 poles per 3 phases) rated value | <p>20A @250V 1p 1ph</p> <p>20A @250V 2p 1ph</p> <p>20A @250V 3p 3ph</p> |

| | |
|--------------------------------------------------------|------------------|
| • at ballast (1 pole per 1 phase) rated value | 20A @347V 1p 1ph |
| • at ballast (2 poles per 1 phase) rated value | 20A @600V 2p 1ph |
| • at ballast (3 poles per 3 phases) rated value | 20A @600V 3p 3ph |
| • at resistive load (1 pole per 1 phase) rated value | 30A @347V 1p 1ph |
| • at resistive load (2 poles per 1 phase) rated value | 30A @600V 2p 1ph |
| • at resistive load (3 poles per 3 phases) rated value | 30A @600V 3p 3ph |

Auxiliary contact

| | |
|-------------------------------------------------------------------|----|
| Number of NC contacts for auxiliary contacts | 0 |
| Number of NO contacts for auxiliary contacts | 0 |
| Number of total auxiliary contacts maximum | 4 |
| Contact rating of auxiliary contacts of contactor according to UL | NA |

Coil

| | |
|--------------------------------------------------------------------------|---------------|
| Type of voltage of the control supply voltage | AC |
| Control supply voltage | |
| • at DC rated value | 0 ... 0 V |
| • at AC at 60 Hz rated value | 208 ... 240 V |
| • at AC at 50 Hz rated value | 208 ... 240 V |
| Apparent pick-up power of magnet coil at AC | 600 V·A |
| Apparent holding power of magnet coil at AC | 6 V·A |
| Operating range factor control supply voltage rated value of magnet coil | 0.85 ... 1.1 |

Enclosure

| | |
|---------------------------------------------------|----------------------------------------------|
| Degree of protection NEMA rating of the enclosure | NEMA 4X 304 stainless steel enclosure |
| Design of the housing | Dust-tight, watertight & corrosion resistant |

Mounting/wiring

| | |
|------------------------------------------------------------------------------------------------------|-----------------------------------|
| (mounting position) | Vertical |
| (mounting type) | Surface mounting and installation |
| Type of electrical connection for supply voltage line-side | Screw-type terminals |
| Tightening torque [lbf·in] for supply | 18 ... 18 lbf·in |
| Type of connectable conductor cross-sections at line-side at AWG conductors single or multi-stranded | 2x (18 ... 10 AWG) |
| Temperature of the conductor for supply maximum permissible | 75 °C |
| Material of the conductor for supply | CU |
| Type of electrical connection for load-side outgoing feeder | Screw-type terminals |
| Tightening torque [lbf·in] for load-side outgoing feeder | 18 ... 18 lbf·in |

| | |
|-----------------------------------------------------------------------------------------------------------------------|----------------------|
| Type of connectable conductor cross-sections at AWG conductors for load-side outgoing feeder single or multi-stranded | 2x (18 ... 10 AWG) |
| Temperature of the conductor for load-side outgoing feeder maximum permissible | 75 °C |
| Material of the conductor for load-side outgoing feeder | CU |
| Type of electrical connection of magnet coil | Screw-type terminals |
| Tightening torque [lbf-in] at magnet coil | 18 ... 18 lbf-in |
| Type of connectable conductor cross-sections of magnet coil at AWG conductors single or multi-stranded | 2x (18 ... 10 AWG) |
| Temperature of the conductor at magnet coil maximum permissible | 75 °C |
| Material of the conductor at magnet coil | CU |

Short-circuit current rating

| | |
|------------------------------------------------------------------------------------------------------------------------------------------------------------|----------------------------------|
| Design of the fuse link for short-circuit protection of the main circuit required | none |
| Design of the short-circuit trip | Thermal magnetic circuit breaker |
| Maximum short-circuit current breaking capacity (Icu) <ul style="list-style-type: none"> • at 240 V • at 480 V • at 600 V | 5 kA 5 kA 5 kA |

Further information

Industrial Controls - Product Overview (Catalogs, Brochures,...)

www.usa.siemens.com/iccatalog

Industry Mall (Online ordering system)

<https://mall.industry.siemens.com/mall/en/us/Catalog/product?mlfb=US2:CLMSB10240>

Service&Support (Manuals, Certificates, Characteristics, FAQs,...)

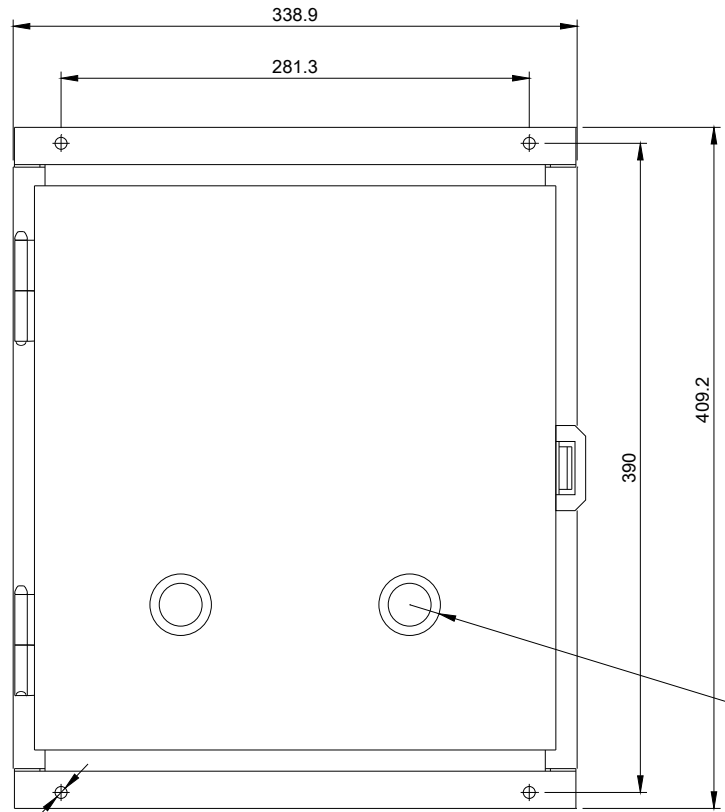
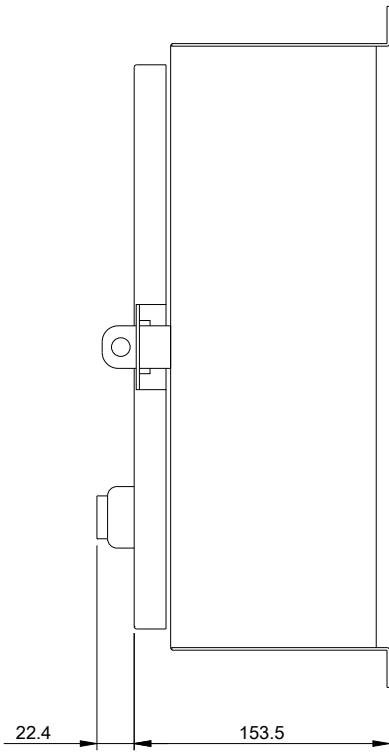
<https://support.industry.siemens.com/cs/US/en/ps/US2:CLMSB10240>

Image database (product images, 2D dimension drawings, 3D models, device circuit diagrams, EPLAN macros, ...)

http://www.automation.siemens.com/bilddb/cax_de.aspx?mlfb=US2:CLMSB10240&lang=en

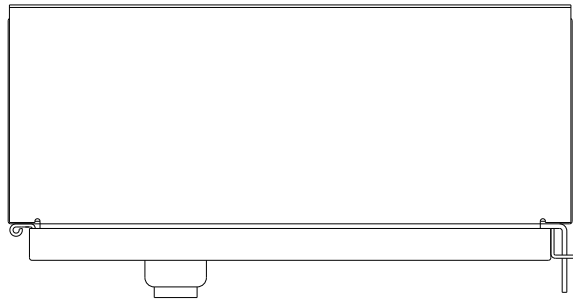
Certificates/approvals

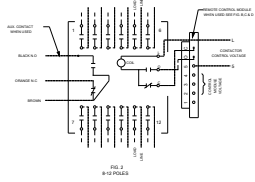
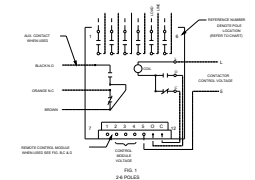
<https://support.industry.siemens.com/cs/US/en/ps/US2:CLMSB10240/certificate>



RESERVE FOR
STARTER

(4) M7C HOLES





CONTACT FILE LOCATION CHART

| POLES | LOCATION |
|-------|----------|
| 1 | 1 & 2 |
| 2 | 3 & 4 |
| 3 | 5 & 6 |
| 4 | 7 & 8 |
| 5 | 9 & 10 |
| 6 | 11 & 12 |
| 7 | 13 & 14 |
| 8 | 15 & 16 |
| 9 | 17 & 18 |
| 10 | 19 & 20 |
| 11 | 21 & 22 |
| 12 | 23 & 24 |

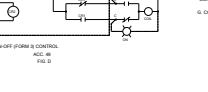
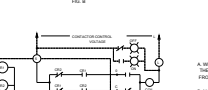
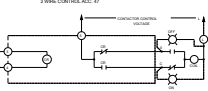
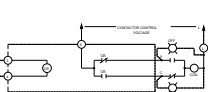
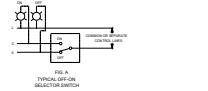
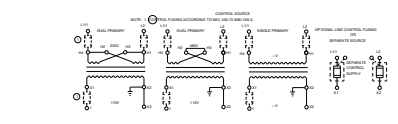
AUXILIARY CONTACT RATINGS
 ACC. CLAMPER (SPST)
 ACC. CLAMPER (SPDT)

MAIN CONTACT MAINLINE VOLTAGE RATINGS OPEN OR CLOSED

| POLES | 1 FOR 1/2 AC | 2 FOR 1/2 AC | 3 FOR 1/2 AC | 4 FOR 1/2 AC | 5 FOR 1/2 AC | 6 FOR 1/2 AC | 7 FOR 1/2 AC | 8 FOR 1/2 AC | 9 FOR 1/2 AC | 10 FOR 1/2 AC | 11 FOR 1/2 AC | 12 FOR 1/2 AC |
|---------|--------------|--------------|--------------|--------------|--------------|--------------|--------------|--------------|--------------|---------------|---------------|---------------|
| 250V AC | 250V AC | 250V AC | 250V AC | 250V AC | 250V AC | 250V AC | 250V AC | 250V AC | 250V AC | 250V AC | 250V AC | 250V AC |
| 370V AC | 370V AC | 370V AC | 370V AC | 370V AC | 370V AC | 370V AC | 370V AC | 370V AC | 370V AC | 370V AC | 370V AC | 370V AC |
| 500V AC | 500V AC | 500V AC | 500V AC | 500V AC | 500V AC | 500V AC | 500V AC | 500V AC | 500V AC | 500V AC | 500V AC | 500V AC |

20 AMP DC
 200V DC
 200V DC
 200V DC
 200V DC
 200V DC
 200V DC
 200V DC
 200V DC
 200V DC
 200V DC
 200V DC
 200V DC

| ORDERING CODE | DESCRIPTION |
|---------------|-------------|
| 000000 | 250V |
| 000001 | 370V |
| 000002 | 500V |



CONNECTIONS TO CONTROL MODULES

| MODULE TERMINAL | CONNECT TO |
|-----------------|-----------------------------|
| 1 | NOT USED |
| 2 | CONTROL STATION FOR ACC. 47 |
| 3 | CONTROL STATION FOR ACC. 47 |
| 4 | MODULE CONTROL VOLTAGE |
| 5 | CONTROL STATION FOR ACC. 47 |
| 6 | CONTROL STATION FOR ACC. 47 |
| 7 | CONTROL STATION FOR ACC. 47 |
| 8 | CONTROL STATION FOR ACC. 47 |
| 9 | CONTROL STATION FOR ACC. 47 |
| 10 | CONTROL STATION FOR ACC. 47 |
| 11 | CONTROL STATION FOR ACC. 47 |
| 12 | CONTROL STATION FOR ACC. 47 |

* FOR 24 POLE CONTROL MODULES CONNECT TO TERMINAL 8 TO NEGATIVE (-)

- GENERAL NOTES
- WHEN CONTACTOR & LINE VOLTAGE ARE THE SAME, THE CONTACTOR CONTROL VOLTAGE LINE SHOULD BE DERIVED FROM THE LINE POLES OF THE CONTACTOR SWITCH.
 - MAIN CONTACTS ARE SHOWN IN OPEN POSITION WITH CONTROL LINE DE-ENERGIZED. SEE RATINGS BELOW SWITCH (SHIPPED WITH CONTACTS CLOSED).
 - LINE & LINE TERMINALS ARE INTERCHANGEABLE.
 - CONTACTS ARE SINGLE THROW DOUBLE BREAK, WITH MECHANICALLY INTERLOCKED SINGLE COIL OPERATOR MECHANICALLY FULLY INTERLOCKED & CLOSED POSITIONS.
 - CUSTOMER CONNECTIONS TO LINE & LOAD WILL ACCEPT 50% BURDEN TO 250% BURDEN. TORQUE LINE POLE CONNECTION TO 10:1.
 - CUSTOMER CONNECTIONS TO ELECTRONIC MODULE (ACC. 47) AS SHOWN WILL ACCEPT 50% BURDEN TO 250% BURDEN. TORQUE CONTROL TERMINALS TO 10:1.
 - CONTROL MODULE VOLTAGE SUPPLIED BY CUSTOMER.

24306100401

last modified:

04/30/2019