

Mechanically held lighting contactor, Contactor amp rating 20Amp
 0NC _ 12NO poles, 208-240V 50/60HZ coil, Non-combination type,
 Encl NEMA type 4X 304 S-steel Water/dust tight noncorrosive



Figure similar

General technical data	
Weight [lb]	9 lb
Height x Width x Depth [in]	16 × 13 × 6 in
Protection against electrical shock	NA for enclosed products
Installation altitude [ft] at height above sea level maximum	6560 ft
Country of origin	USA

Contactor	
Number of NO contacts for main contacts	12
Number of NC contacts for main contacts	0
Operating voltage for main current circuit at AC at 60 Hz maximum	600 V
Contact rating of the main contacts of lighting contactor	
<ul style="list-style-type: none"> • at tungsten (1 pole per 1 phase) rated value • at tungsten (2 poles per 1 phase) rated value • at tungsten (3 poles per 3 phases) rated value 	<p>20A @250V 1p 1ph</p> <p>20A @250V 2p 1ph</p> <p>20A @250V 3p 3ph</p>

• at ballast (1 pole per 1 phase) rated value	20A @347V 1p 1ph
• at ballast (2 poles per 1 phase) rated value	20A @600V 2p 1ph
• at ballast (3 poles per 3 phases) rated value	20A @600V 3p 3ph
• at resistive load (1 pole per 1 phase) rated value	30A @347V 1p 1ph
• at resistive load (2 poles per 1 phase) rated value	30A @600V 2p 1ph
• at resistive load (3 poles per 3 phases) rated value	30A @600V 3p 3ph

Auxiliary contact

Number of NC contacts for auxiliary contacts	0
Number of NO contacts for auxiliary contacts	0
Number of total auxiliary contacts maximum	4
Contact rating of auxiliary contacts of contactor according to UL	NA

Coil

Type of voltage of the control supply voltage	AC
Control supply voltage	
• at DC rated value	0 ... 0 V
• at AC at 60 Hz rated value	208 ... 240 V
• at AC at 50 Hz rated value	208 ... 240 V
Apparent pick-up power of magnet coil at AC	600 V·A
Apparent holding power of magnet coil at AC	6 V·A
Operating range factor control supply voltage rated value of magnet coil	0.85 ... 1.1

Enclosure

Degree of protection NEMA rating of the enclosure	NEMA 4X 304 stainless steel enclosure
Design of the housing	Dust-tight, watertight & corrosion resistant

Mounting/wiring

(mounting position)	Vertical
(mounting type)	Surface mounting and installation
Type of electrical connection for supply voltage line-side	Screw-type terminals
Tightening torque [lbf·in] for supply	18 ... 18 lbf·in
Type of connectable conductor cross-sections at line-side at AWG conductors single or multi-stranded	2x (18 ... 10 AWG)
Temperature of the conductor for supply maximum permissible	75 °C
Material of the conductor for supply	CU
Type of electrical connection for load-side outgoing feeder	Screw-type terminals
Tightening torque [lbf·in] for load-side outgoing feeder	18 ... 18 lbf·in

Type of connectable conductor cross-sections at AWG conductors for load-side outgoing feeder single or multi-stranded	2x (18 ... 10 AWG)
Temperature of the conductor for load-side outgoing feeder maximum permissible	75 °C
Material of the conductor for load-side outgoing feeder	CU
Type of electrical connection of magnet coil	Screw-type terminals
Tightening torque [lbf-in] at magnet coil	18 ... 18 lbf-in
Type of connectable conductor cross-sections of magnet coil at AWG conductors single or multi-stranded	2x (18 ... 10 AWG)
Temperature of the conductor at magnet coil maximum permissible	75 °C
Material of the conductor at magnet coil	CU

Short-circuit current rating

Design of the fuse link for short-circuit protection of the main circuit required	none
Design of the short-circuit trip	Thermal magnetic circuit breaker
Maximum short-circuit current breaking capacity (Icu) <ul style="list-style-type: none"> • at 240 V • at 480 V • at 600 V 	5 kA 5 kA 5 kA

Further information

Industrial Controls - Product Overview (Catalogs, Brochures,...)

www.usa.siemens.com/iccatalog

Industry Mall (Online ordering system)

<https://mall.industry.siemens.com/mall/en/us/Catalog/product?mlfb=US2:CLMSB12208>

Service&Support (Manuals, Certificates, Characteristics, FAQs,...)

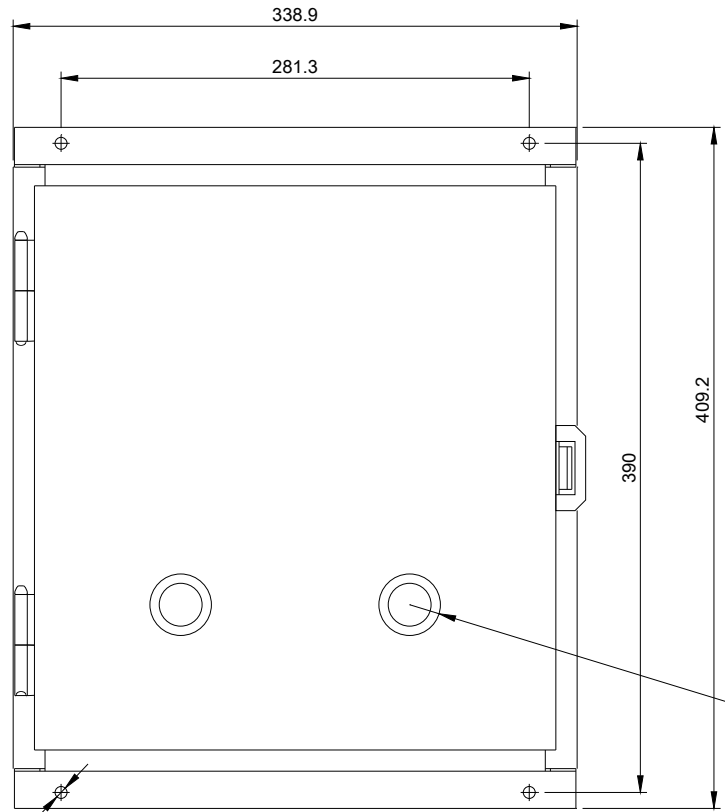
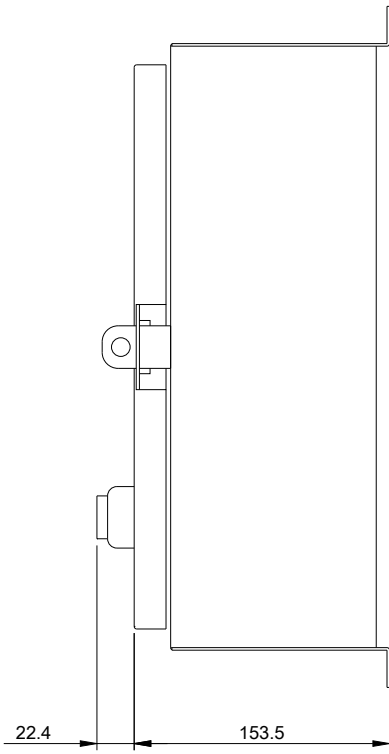
<https://support.industry.siemens.com/cs/US/en/ps/US2:CLMSB12208>

Image database (product images, 2D dimension drawings, 3D models, device circuit diagrams, EPLAN macros, ...)

http://www.automation.siemens.com/bilddb/cax_de.aspx?mlfb=US2:CLMSB12208&lang=en

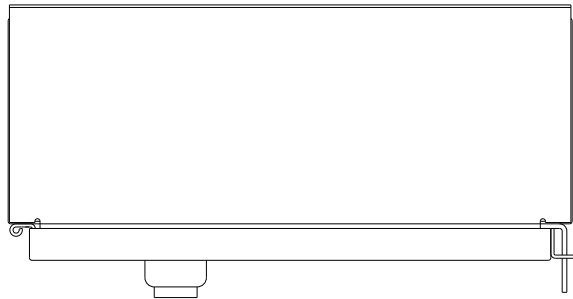
Certificates/approvals

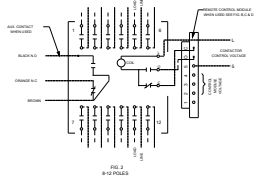
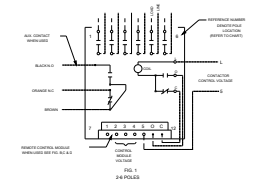
<https://support.industry.siemens.com/cs/US/en/ps/US2:CLMSB12208/certificate>



(4) M7C HOLES

ROOM FOR REVERSING STARTER





CONTACT FILE LOCATION CHART

POLE	LOCATION
1	1 & 11
2	2 & 12
3	3 & 9
4	4 & 10
5	5 & 8
6	6 & 7
7	7 & 6
8	8 & 5
9	9 & 4
10	10 & 3
11	11 & 2
12	12 & 1

AUXILIARY CONTACT RATINGS
 ACC. CLAMPER (SPST)
 ACC. CLAMPER (SPDT)

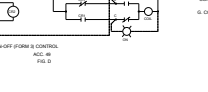
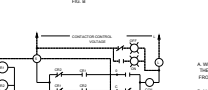
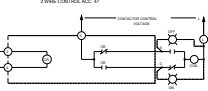
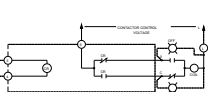
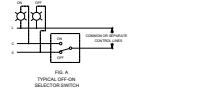
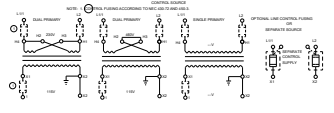
MAIN CONTACT MAINLINE VOLTAGE RATINGS OPEN OR CLOSED

POLES	1 FOR 1/2 AC	2 FOR 1/2 AC	3 FOR 1/2 AC	4 FOR 1/2 AC	5 FOR 1/2 AC	6 FOR 1/2 AC	7 FOR 1/2 AC	8 FOR 1/2 AC	9 FOR 1/2 AC	10 FOR 1/2 AC	11 FOR 1/2 AC	12 FOR 1/2 AC
250V AC	250V AC	250V AC	250V AC	250V AC	250V AC	250V AC	250V AC	250V AC	250V AC	250V AC	250V AC	250V AC
500V AC	500V AC	500V AC	500V AC	500V AC	500V AC	500V AC	500V AC	500V AC	500V AC	500V AC	500V AC	500V AC
690V AC	690V AC	690V AC	690V AC	690V AC	690V AC	690V AC	690V AC	690V AC	690V AC	690V AC	690V AC	690V AC

20 AMP. DC GENERAL
 250V DC MAX. 2 POLES IN SERIES
 250V DC MAX. 2 POLES IN SERIES

SWITCH IS SUITABLE FOR USE IN A CIRCUIT CAPABLE OF DEVELOPING NOT MORE THAN THE RATED INTERRUPTING CAPACITY AT THE NOMINAL VOLTAGE SHOWN. SEE THE INSTRUCTIONS FOR USE AND THE DATA SHEET FOR THE PRODUCT FOR A DETAILED DESCRIPTION OF THE SWITCHING CAPABILITY OF THIS PRODUCT.

AMPERES	VOLTS
20.000	250
10.000	480
10.000	600



CONNECTIONS TO CONTROL MODULES

MODULE TERMINAL	CONNECT TO
1	NOT USED
2	CONTROL SUPPLY FOR ACC. 47 & 49
3	CONTROL SUPPLY FOR ACC. 47 & 49
4	MODULE CONTROL VOLTAGE
5	CONTROL SUPPLY FOR ACC. 47 & 49
6	TERMINAL 1 OF CONTROL MODULE
7	TERMINAL 2 OF CONTROL MODULE
8	TERMINAL 3 OF CONTROL MODULE
9	TERMINAL 4 OF CONTROL MODULE
10	TERMINAL 5 OF CONTROL MODULE
11	TERMINAL 6 OF CONTROL MODULE
12	TERMINAL 7 OF CONTROL MODULE
13	TERMINAL 8 OF CONTROL MODULE
14	TERMINAL 9 OF CONTROL MODULE
15	TERMINAL 10 OF CONTROL MODULE
16	TERMINAL 11 OF CONTROL MODULE
17	TERMINAL 12 OF CONTROL MODULE
18	TERMINAL 13 OF CONTROL MODULE
19	TERMINAL 14 OF CONTROL MODULE
20	TERMINAL 15 OF CONTROL MODULE
21	TERMINAL 16 OF CONTROL MODULE
22	TERMINAL 17 OF CONTROL MODULE
23	TERMINAL 18 OF CONTROL MODULE
24	TERMINAL 19 OF CONTROL MODULE
25	TERMINAL 20 OF CONTROL MODULE
26	TERMINAL 21 OF CONTROL MODULE
27	TERMINAL 22 OF CONTROL MODULE
28	TERMINAL 23 OF CONTROL MODULE
29	TERMINAL 24 OF CONTROL MODULE
30	TERMINAL 25 OF CONTROL MODULE
31	TERMINAL 26 OF CONTROL MODULE
32	TERMINAL 27 OF CONTROL MODULE
33	TERMINAL 28 OF CONTROL MODULE
34	TERMINAL 29 OF CONTROL MODULE
35	TERMINAL 30 OF CONTROL MODULE
36	TERMINAL 31 OF CONTROL MODULE
37	TERMINAL 32 OF CONTROL MODULE
38	TERMINAL 33 OF CONTROL MODULE
39	TERMINAL 34 OF CONTROL MODULE
40	TERMINAL 35 OF CONTROL MODULE
41	TERMINAL 36 OF CONTROL MODULE
42	TERMINAL 37 OF CONTROL MODULE
43	TERMINAL 38 OF CONTROL MODULE
44	TERMINAL 39 OF CONTROL MODULE
45	TERMINAL 40 OF CONTROL MODULE
46	TERMINAL 41 OF CONTROL MODULE
47	TERMINAL 42 OF CONTROL MODULE
48	TERMINAL 43 OF CONTROL MODULE
49	TERMINAL 44 OF CONTROL MODULE
50	TERMINAL 45 OF CONTROL MODULE
51	TERMINAL 46 OF CONTROL MODULE
52	TERMINAL 47 OF CONTROL MODULE
53	TERMINAL 48 OF CONTROL MODULE
54	TERMINAL 49 OF CONTROL MODULE
55	TERMINAL 50 OF CONTROL MODULE
56	TERMINAL 51 OF CONTROL MODULE
57	TERMINAL 52 OF CONTROL MODULE
58	TERMINAL 53 OF CONTROL MODULE
59	TERMINAL 54 OF CONTROL MODULE
60	TERMINAL 55 OF CONTROL MODULE
61	TERMINAL 56 OF CONTROL MODULE
62	TERMINAL 57 OF CONTROL MODULE
63	TERMINAL 58 OF CONTROL MODULE
64	TERMINAL 59 OF CONTROL MODULE
65	TERMINAL 60 OF CONTROL MODULE
66	TERMINAL 61 OF CONTROL MODULE
67	TERMINAL 62 OF CONTROL MODULE
68	TERMINAL 63 OF CONTROL MODULE
69	TERMINAL 64 OF CONTROL MODULE
70	TERMINAL 65 OF CONTROL MODULE
71	TERMINAL 66 OF CONTROL MODULE
72	TERMINAL 67 OF CONTROL MODULE
73	TERMINAL 68 OF CONTROL MODULE
74	TERMINAL 69 OF CONTROL MODULE
75	TERMINAL 70 OF CONTROL MODULE
76	TERMINAL 71 OF CONTROL MODULE
77	TERMINAL 72 OF CONTROL MODULE
78	TERMINAL 73 OF CONTROL MODULE
79	TERMINAL 74 OF CONTROL MODULE
80	TERMINAL 75 OF CONTROL MODULE
81	TERMINAL 76 OF CONTROL MODULE
82	TERMINAL 77 OF CONTROL MODULE
83	TERMINAL 78 OF CONTROL MODULE
84	TERMINAL 79 OF CONTROL MODULE
85	TERMINAL 80 OF CONTROL MODULE
86	TERMINAL 81 OF CONTROL MODULE
87	TERMINAL 82 OF CONTROL MODULE
88	TERMINAL 83 OF CONTROL MODULE
89	TERMINAL 84 OF CONTROL MODULE
90	TERMINAL 85 OF CONTROL MODULE
91	TERMINAL 86 OF CONTROL MODULE
92	TERMINAL 87 OF CONTROL MODULE
93	TERMINAL 88 OF CONTROL MODULE
94	TERMINAL 89 OF CONTROL MODULE
95	TERMINAL 90 OF CONTROL MODULE
96	TERMINAL 91 OF CONTROL MODULE
97	TERMINAL 92 OF CONTROL MODULE
98	TERMINAL 93 OF CONTROL MODULE
99	TERMINAL 94 OF CONTROL MODULE
100	TERMINAL 95 OF CONTROL MODULE

* FOR 24 POLE CONTROL MODULES CONNECT TO TERMINAL 4 TO NEGATIVE (-)

- GENERAL NOTES**
- WHEN CONTACTOR & LINE VOLTAGE ARE THE SAME, THE CONTACTOR CONTROL VOLTAGE LINE SHOULD BE DERIVED FROM THE LINE POLES OF THE CONTACTOR SWITCH.
 - MAIN CONTACTS ARE SHOWN IN OPEN POSITION WITH CONTROL LINE DE-ENERGIZED. SEE RATINGS BELOW SWITCH (SHIPPED WITH CONTACTS CLOSED).
 - LINE & LINE TERMINALS ARE INTERCHANGEABLE.
 - CONTACTS ARE SINGLE THROW DOUBLE BREAK, WITH UNBOTHANILY ENERGIZED SINGLE COIL OPERATOR MECHANICALLY FULLY INTERLOCKED & CLOSED POSITIVE.
 - CUSTOMER CONNECTIONS TO LINE & LOAD WILL ACCEPT THE NUMBER OF PHASES SHOWN. TORQUE LINE POLE CONNECTION TO 18 & 19.
 - CUSTOMER CONNECTIONS TO ELECTRONIC MODULE (ACC. 47 & 49) WILL ACCEPT ONLY 24VDC TO 28VDC. COUPLER WIRE. TORQUE CONTROL TERMINALS TO 21 & 22.
 - CONTROL MODULE VOLTAGE SUPPLIED BY CUSTOMER.

24306100401

last modified:

05/20/2019