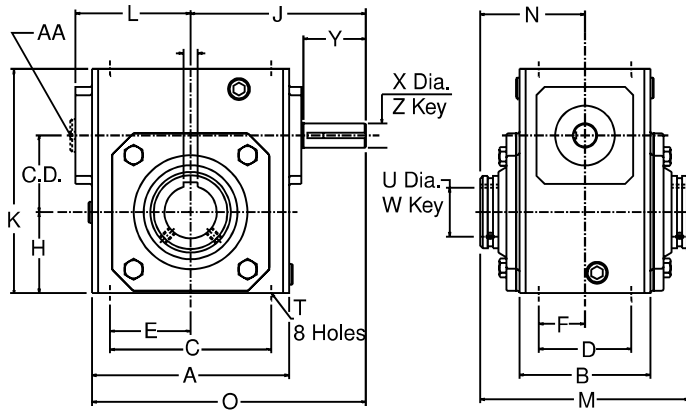


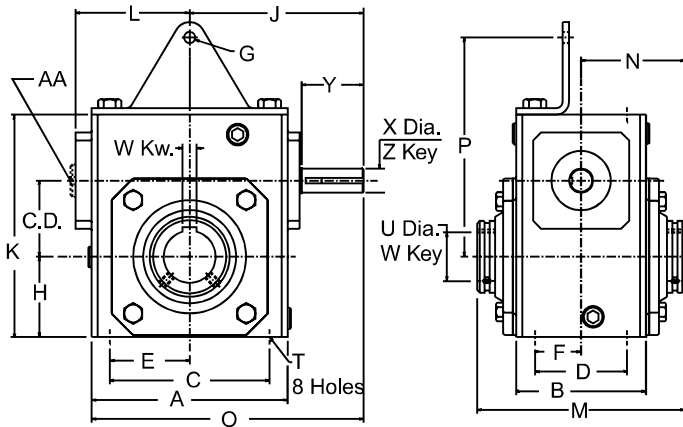
Style UH

Hollow – Basic Unit

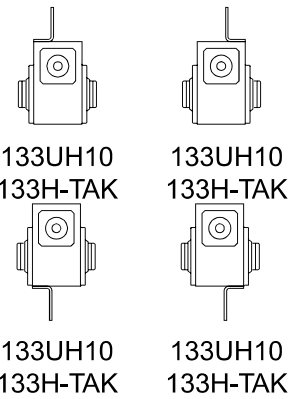


Style UHT

Torque Arm

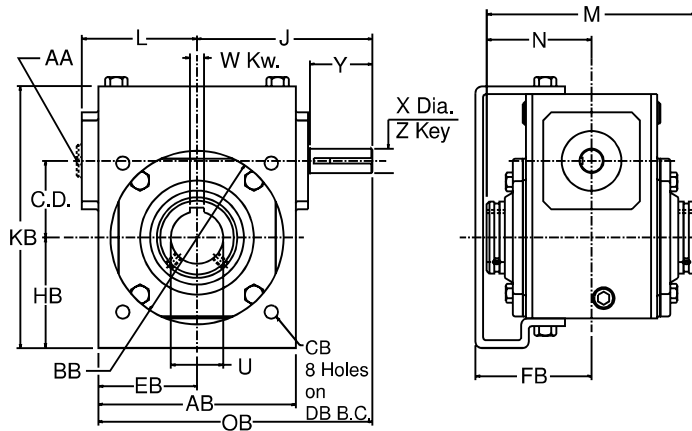


Assembly Drawing and Sample of Components

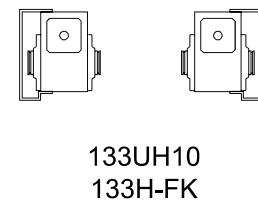


Style UHF

Flange Bracket



Assembly Drawing and Sample of Components



Dimensions (Inches) for Style "UH"

C.D.	Basic Unit ★	A	B	C	D	E	F	H	J	K	L	M	N	O
1.33	133UH	4.00	2.88	3.25	2.00	1.63	1.00	1.72	4.03	4.66	2.12	5.31	2.66	6.03
1.54	154UH	5.13	3.69	4.19	2.75	2.09	1.38	1.91	4.69	5.38	2.75	6.44	3.22	7.25
1.75	175UH	4.81	3.38	4.19	2.75	2.09	1.38	2.06	4.68	5.75	2.75	5.70	2.85	7.09
2.06	206UH	5.50	3.75	5.00	2.88	2.50	1.44	2.28	5.06	6.38	3.00	6.44	3.22	7.73
2.37	237UH	6.13	4.06	5.00	2.88	2.50	1.44	2.50	5.44	6.94	3.56	6.31	3.16	8.51
2.62	262UH	7.12	4.44	6.38	3.38	3.19	1.69	2.94	6.23	8.00	3.69	6.88	3.44	9.79
3.00	300UH	8.50	5.50	7.00	4.00	3.50	2.00	3.25	7.00	8.88	4.50	8.38	4.19	11.25
3.25	325UH	8.50	5.00	7.50	4.00	3.75	2.00	3.50	7.06	9.38	4.50	8.50	4.25	11.31
3.75	375UH	9.50	6.38	8.50	4.75	4.25	2.38	3.88	8.38	10.44	5.74	9.63	4.81	13.13
4.50	450UH	10.88	7.38	9.56	5.81	4.78	2.91	4.50	9.59	11.94	6.42	11.13	5.56	15.09
5.16	516UH	12.50	7.38	11.00	5.81	5.50	2.91	5.31	10.69	13.75	7.42	11.31	5.66	16.94
6.00	600UH	14.50	8.13	12.75	6.38	6.38	3.19	6.50	11.75	16.50	8.25	12.63	6.31	19.00

C.D.	T		OUTPUT BORE +		INPUT SHAFT			Stock Ratios marked "x"										Wt. Lbs.	
			U	W Keyway	X	Y	Z Key		5	10	15	20	25	30	40	50	60		
	Size	Deep	+.0015 -.0000	+.000 -.001	Sq.	Lgth.													
1.33	5/16-18	.50	.6250	3/16 x 3/32	.500	1.81	.125	1.38	x	x	x	x	x	x	x	x	x	x	14.0
1.54	5/16-18	.50	1.0000	1/4 x 1/8	.625	1.69	.188	1.25	x	x	x	x	x	x	x	x	x	x	20.0
1.75	5/16-18	.61	1.0000	1/4 x 1/8	.625	1.81	.188	1.50	x	x	x	x	x	x	x	x	x	x	23.0
2.06	3/8-16	.61	1.4375	3/8 x 1/8	.625	1.81	.188	1.50	x	x	x	x	x	x	x	x	x	x	28.0
2.37	3/8-16	.60	1.4375	3/8 x 1/8	.750	1.94	.188	1.31	x	x	x	x	x	x	x	x	x	x	44.0
2.62	3/5-16	.58	1.9375	1/2 x 1/8	.750	2.31	.188	1.88	x	x	x	x	x	x	x	x	x	x	54.0
3.00	7/16-14	.80	2.1875	1/2 x 3/16	.875	2.26	.188	1.31	x	x	x	x	x	x	x	x	x	x	76.0
3.25	7/16-14	.80	2.1875	1/2 x 3/16	.875	2.31	.188	1.63	-	x	x	x	x	x	x	x	x	x	79.0
3.75	1/2-13	1.00	2.4375	5/8 x 3/16	1.000	2.91	.250	1.75	-	x	x	x	x	x	x	x	x	x	109.0
4.50	5/8-11	1.00	2.9375	3/4 x 1/4	1.125	3.48	.250	2.50	-	x	x	x	x	x	x	x	x	x	140.0
5.16	5/8-11	1.00	3.4375	7/8 x 1/4	1.250	3.75	.250	2.56	-	x	x	x	x	x	x	x	x	x	222.0
6.00	5/8-11	1.00	3.9375	1 x 1/4	1.500	3.75	.375	2.94	x	x	x	x	x	x	x	x	x	x	321.0

Raider Plus

Dimensions (Inches) for Style "UHT" - With Torque Arm

Components ◆		G	P	Wt. Lbs.
Basic Unit ★	Torque Arm Kit			
133UH	133H-TAK	.53	4.16	14.6
154UH	154H-TAK	.53	4.55	20.7
175UH	175H-TAK	.53	5.06	23.9
206UH	206H-TAK	.53	6.07	29.0
237UH	237H-TAK	.53	6.69	45.2
262UH	262H-TAK	.53	7.44	55.4
300UH	300H-TAK	.53	8.25	77.7
325UH	325H-TAK	.53	9.06	81.0
375UH	375H-TAK	.53	9.56	111.6
450UH	450H-TAK	.81	10.94	143.4
516UH	516H-TAK	.81	12.45	227.5
600UH	600H-TAK	.81	14.63	327.9

Fan Kit

Basic Unit ★	Fan Kit	AA		L	Wt. Lbs.
		Tap	Deep		
375UH	375 FAN	3/8-24	3/4	7.66	2.8
450UH	450 FAN	3/8-24	3/4	8.36	2.8
516UH	516 FAN	3/8-24	3/4	9.18	2.8
600UH	600 FAN	3/8-24	3/4	10.70	4.2

Dimensions (Inches) for Style "UHF" - With Flange

Components ◆		AB	BB	CB	DB	EB	FB	HB	J	KB	L	M	N	OB	Wt. Lbs.
Basic Unit ★	Flange Kit														
133UH	133H-FK	4.25	3.63	.344	5.000	2.13	3.00	2.44	4.03	5.57	2.12	5.31	2.66	6.16	16.7
154UH	154H-FK	4.75	3.63	.344	5.000	2.38	3.56	2.54	4.69	6.20	2.75	6.44	3.22	7.07	23.3
175UH	175H-FK	4.81	4.06	.344	5.875	2.41	3.50	2.78	4.68	6.66	2.75	5.70	2.85	7.09	26.4
206UH	206H-FK	5.75	4.50	.406	6.500	2.88	3.75	3.14	5.06	7.43	3.00	6.44	3.22	7.94	32.6
237UH	237H-FK	6.13	5.00	.406	7.500	3.06	3.72	3.61	5.44	8.24	3.56	6.31	3.16	8.51	49.1
262UH	262H-FK	7.18	6.00	.406	8.000	3.59	4.06	3.94	6.23	9.25	3.69	6.88	3.44	9.82	62.4
300UH	300H-FK	8.50	7.00	.406	9.000	4.25	4.50	4.14	7.00	10.02	4.50	8.38	4.19	11.25	86.1
325UH	325H-FK	8.50	7.00	.563	10.000	4.25	5.25	4.75	7.06	10.89	4.50	8.50	4.25	11.31	90.9
375UH	375H-FK	9.54	8.00	.563	11.500	4.77	5.46	5.04	8.38	11.85	5.74	9.63	4.81	13.13	122.3
450UH	450H-FK	10.88	9.00	.563	11.500	5.44	6.88	5.34	9.59	13.10	6.42	11.13	5.56	15.09	161.8
516UH	516H-FK	12.50	10.00	.688	14.000	6.25	6.58	6.57	10.69	15.33	7.42	11.31	5.66	16.94	248.9
600UH	600H-FK	14.50	12.00	.688	15.560	7.25	7.22	7.85	11.75	18.22	8.25	12.63	6.31	19.00	365.7

★ To complete Part No. add ratio symbol to size - for example 133UH10.
 ◆ Components needed to make assembled reducer must be ordered separately. If Fan Kit is required, see the table above.
 + For adapting reducers to shafts smaller than output bore, use Bushing Kits, see the table on page 218.
 Consult factory for ratios not shown as standard.