

ELJ Consolets & Accessories

Application -

Designed to house electrical and electronic controls, instruments, and components. Provides protection from dust, dirt, oil and water. Consolets can be mounted on either of two sides to give a control surface inclined 30° or 60°. Can be mounted on desks, machines, or pedestals.

Construction -

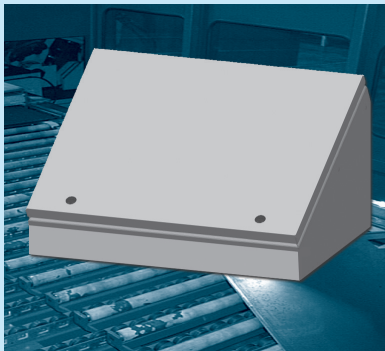
- 0.063" carbon steel.
- Seams continuously welded and ground smooth.
- Flange trough collar around all sides of door opening.
- Removable hinges.
- Oil-resistant gasket.
- Standoffs provided for mounting optional sub-panels.
- Cable door stops included on SCE-12C**, SCE-16C** & SCE-20C**
- Black mini quarter turn latches as required.
- Latches are opened or closed with a screwdriver.
- Ground studs on door and body.
- Mounting holes in back.

Finish -

ANSI -61 gray powder coated inside and out. Optional sub-panels are powder coated white.

IS2 - Industry Standards -

NEMA Type 4, 12 & Type 13
UL Listed Type 4 & 12
CA Type 4 & 12
IEC 60529 IP66



ELJ CONSOLETS

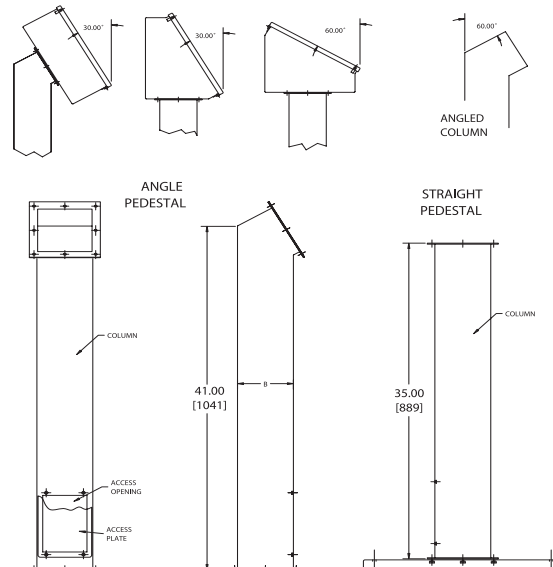
ENCLOSURE PRODUCT CODE A1						SUB-PANEL (P3)			
Catalog No.	Height (A)	Width (B)	Depth (C)	Depth (D)	List Price	Catalog No.	Panel Height (E)	Panel Width (F)	List Price
SCE-8C8ELJ	8.00	8.00	7.09	7.44	102.84	SCE-8P8C	6.00	6.75	5.27
SCE-8C12ELJ	8.00	12.00	7.09	7.44	112.87	SCE-8P12C	6.00	10.75	8.39
SCE-8C16ELJ	8.00	16.00	7.09	7.44	125.41	SCE-8P16C	6.00	14.75	11.50
SCE-8C20ELJ	8.00	20.00	7.09	7.44	135.44	SCE-8P20C	6.00	18.75	14.63
SCE-12C12ELJ	12.00	12.00	9.09	10.91	132.93	SCE-12P12C	9.50	10.75	13.28
SCE-12C16ELJ	12.00	16.00	9.09	10.91	147.97	SCE-12P16C	9.50	14.75	18.22
SCE-12C20ELJ	12.00	20.00	9.09	10.91	163.03	SCE-12P20C	9.50	18.75	23.16
SCE-12C24ELJ	12.00	24.00	9.09	10.91	175.57	SCE-12P24C	9.50	22.75	28.09
SCE-16C16ELJ	16.00	16.00	11.09	14.38	173.05	SCE-16P14	14.75	12.88	19.95
SCE-16C20ELJ	16.00	20.00	11.09	14.38	190.63	SCE-16P20C	12.88	18.75	31.40
SCE-16C24ELJ	16.00	24.00	11.09	14.38	208.17	SCE-16P24C	12.88	22.75	38.10
SCE-16C30ELJ	16.00	30.00	11.09	14.38	238.27	SCE-16P30C	12.88	28.75	44.80
SCE-20C20ELJ	20.00	20.00	13.09	17.84	218.21	SCE-20P20C	16.38	18.75	39.00
SCE-20C24ELJ	20.00	24.00	13.09	17.84	243.28	SCE-20P24C	16.38	22.75	42.30
SCE-20C30ELJ	20.00	30.00	13.09	17.84	278.41	SCE-20P30C	16.38	28.75	47.32

CABLE DOOR STOP

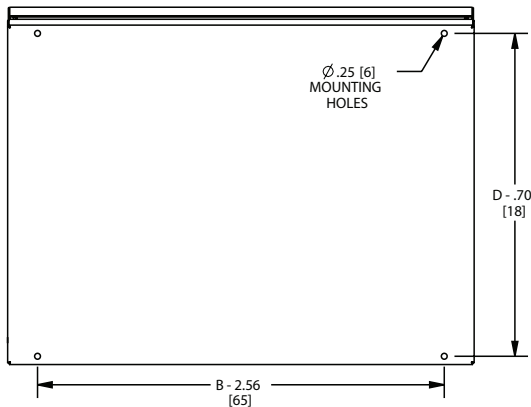
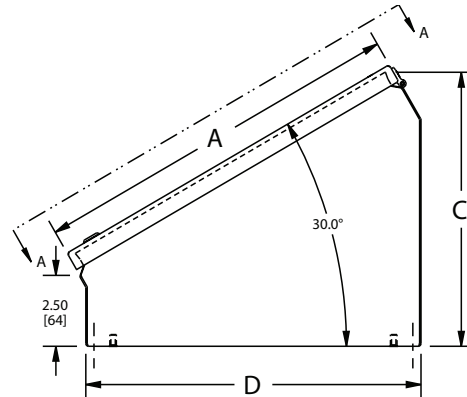
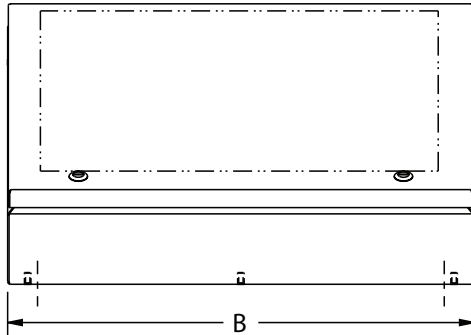
Catalog No.	Description	For use on	Product Code	List Price
SCE-CBL15	15 Inch 135° Door Stop	SCE-12C** & SCE-16C*	P2	13.75
SCE-CBL20	20 Inch 135° Door Stop	SCE-20C**	P2	14.25

ACCESSORY COLUMNS AND BASES

Catalog No.	Description	Size	Product Code	List Price
SCE-18SBASE	Pedestal Base	18.00 x 18.00 x 1.00	P2	111.76
SCE-24SBASE	Pedestal Base	24.00 x 24.00 x 1.00	P2	253.32
SCE-44CCOL	Straight Column	4.00 x 4.00	P2	183.79
SCE-44PBCOL	Angled Column	4.00 x 4.00	P2	218.56
SCE-66CCOL	Straight Column	6.00 x 6.00	P2	275.68
SCE-66PBCOL	Angled Column	6.00 x 6.00	P2	327.83



ELJ CONSOLES TECHNICAL DATA

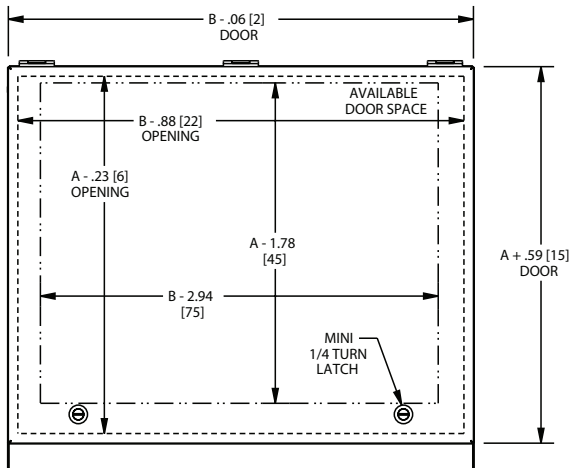


NOTES:
Provisions for cable stops on door and body when "A" >= 12.00 [305]

LATCH NOTES:
One latch centered on door horizontally if "B" is <= 14.00 [356]

Two latches located 3.00 [76] from right & left side of door if "B" is > 14.00 [356]

SUB-PANEL NOTES:
Provisions for sub-panel in bottom.



VIEW A-A