

Multi-Door Free-Standing / Wall- Mount Enclosures For Flange-Mounted Disconnects

Application -

Designed to easily accommodate various types of mounting methods with minimal modifications. Provisions are provided in the back of the enclosure for wall or frame mounting, and in the bottom for wall mount brackets, frame mount, or partial provisions for a floor stand kit. Enclosure is designed to house most standard type disconnects. For installation information, consult our Installation Manual at www.saginawcontrol.com.

Construction -

- 0.104" carbon steel.
- Seams continuously welded and ground smooth.
- Flange trough collar around all sides of door opening.
- Body stiffeners in large enclosures for extra rigidity.
- Heavy duty lifting eyes anchor into reinforced top.
- Removable center posts permit easy panel installation.
- Concealed hinges.
- Black zinc die cast coinproof/padlocking handle on main door with black zinc die cast padlocking handle on slave doors.
- 3-point latching mechanism.
- Ends of latch rods have ramp shoes for easier door closing.
- Panel supports.
- Large removable print pockets.
- Oil-resistant gasket.
- Defeater on master door requires a screwdriver to open.
- Ground stud on door.
- Collar studs for mounting optional sub-panel.

Disconnect switch (or circuit breaker) and operating mechanism are not furnished with enclosure.

Finish -

ANSI-61 gray powder coated inside and out. Optional sub-panels are powder coated white.

IS3 - Industry Standards -

NEMA Type 3R, 12 & Type 13
UL Listed Type 3R & 12
CSA Type 3R & 12
IEC 60529 IP 55

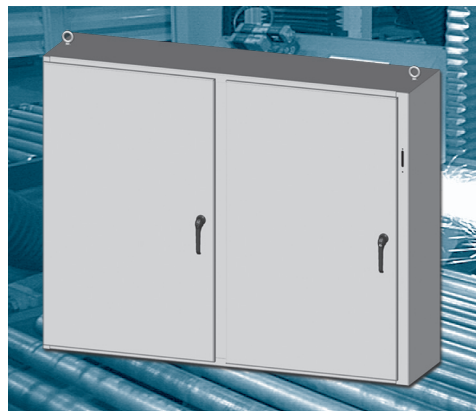
IS4 - Industry Standards -

NEMA Type 3R, 4, 12 & Type 13
UL Listed Type 3R, 4 & 12
CSA Type 3R, 4 & 12
IEC 60529 IP 66

***Special Instructions apply for IS3, IS4 and IS6 to maintain the environmental rating of Type 3R for these parts. See the Special Instructions on the Industry Standards page in the Technical Information Section.

TWO-DOOR FREE-STANDING / WALL-MOUNT ENCLOSURES FOR FLANGE-MOUNTED DISCONNECTS

ENCLOSURE PRODUCT CODE A2						SUB-PANEL (P3)			
Catalog No.	Height (A)	Width (B)	Depth (C)	Industry Standard	List Price	Catalog No.	Panel Height (D)	Panel Width (E)	List Price
SCE-36X2D5412	36.00	53.75	12.00	IS4	1,463.80	SCE-36P52	32.00	48.00	161.54
SCE-42X2D5412	42.00	53.75	12.00	IS4	1,530.37	SCE-42P52	38.00	48.00	209.39
SCE-48X2D7812	48.00	77.75	12.00	IS3	1,904.94	SCE-48P76	44.00	72.00	351.48
SCE-48X2D7818	48.00	77.75	18.00	IS3	2,125.52	SCE-48P76	44.00	72.00	351.48



Phone (989) 799-6871

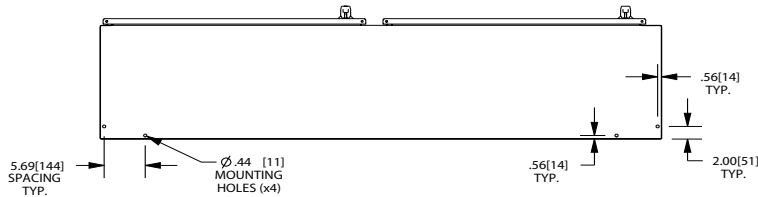
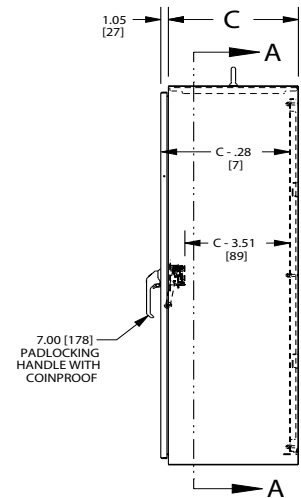
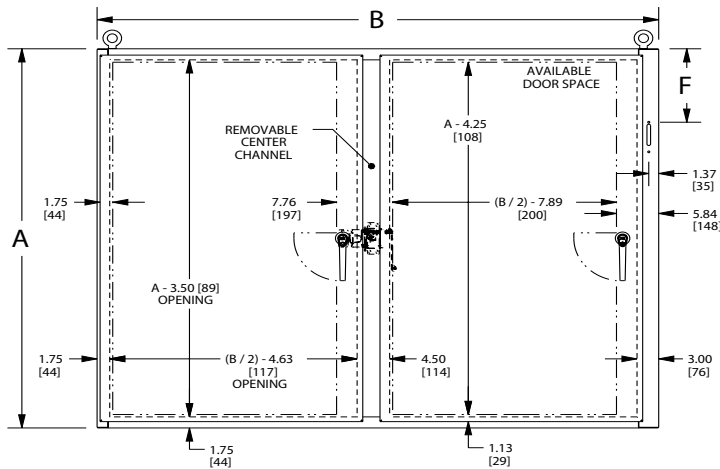
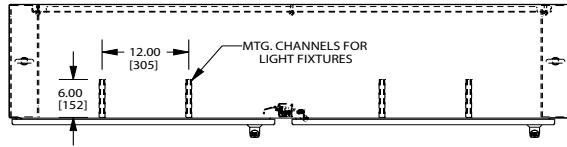
Fax (989) 799-4524

SCE SAGINAW
CONTROL &
ENGINEERING
Your Enclosure Source

MULTI-DOOR FREE-STANDING / WALL-MOUNT ENCLOSURES FOR FLANGE-MOUNTED DISCONNECTS

TECHNICAL DATA

TWO-DOOR ENCLOSURE



DISCONNECT NOTES:
 F = 4.75 [121] when C = 8.00 [203]
 F = 7.09 [180] when C = 10.00 [254]
 F = 11.62 [295] when C = 18.00 [457]

