

Series 14 Single Door Consoles

Application -

Designed for electronic controls and instruments. Equipment can be mounted on the sloping control panel door. Interior components mount to stationary panels. Heavy duty construction provides protection from dirt, oil, dust, and water. For installation information, consult our Installation Manual at www.saginawcontrol.com.

Construction -

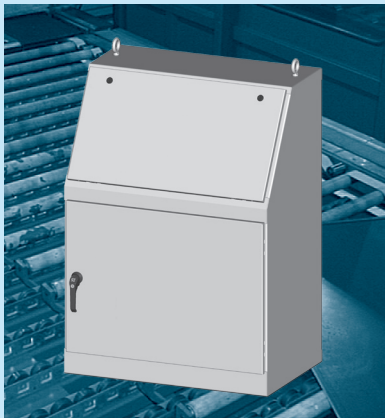
- 0.104" carbon steel.
- Sloping control panel door attached with concealed hinge on bottom edge. Door opens to 90°.
- Black zinc die cast keylocking/padlocking handles on front and rear doors.
- 3-point latching mechanism.
- Seams continuously welded and ground smooth.
- Oil-resistant gasket on door.
- Optional equipment mounts to horizontal channels welded to sides.
- Flush mounted doors.
- Optional writing desk and top section available.
- Interior print pocket.
- Removable eyebolts in console body.
- Ground stud on door.

Finish -

ANSI-61 gray powder coated inside and out. Optional panels are powder coated white.

IS1 - Industry Standards -

NEMA Type 12 & Type 13
UL Listed Type 12
CSA Type 12
IEC 60529 IP 55

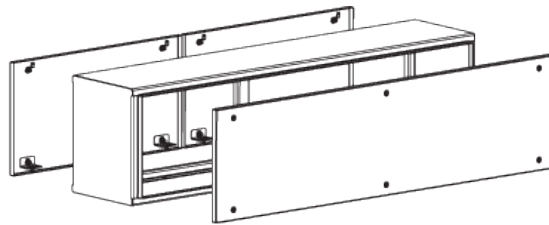


SERIES 14 SINGLE DOOR CONSOLES - 24" WIDE

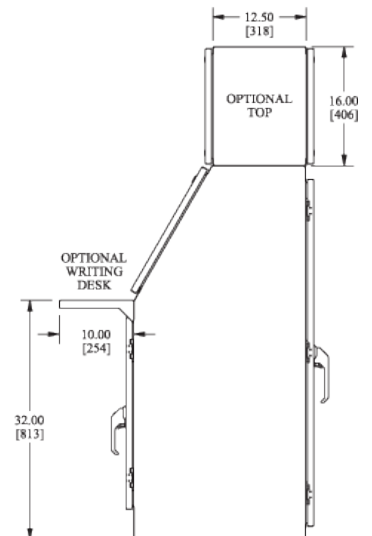
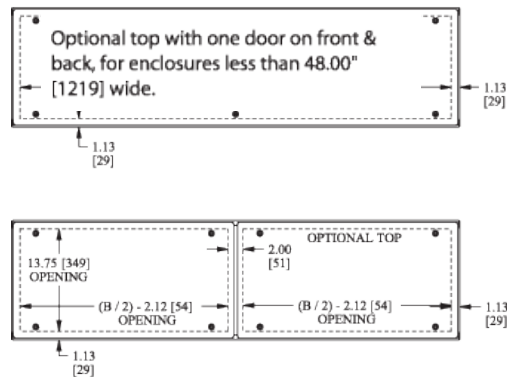
ENCLOSURES							
Catalog No.	Description	Height (A)	Width (B)	Depth (C)	Product Code	Industry Standard	List Price
SCE-14B	Console Body	50.00	24.00	23.00	C1	IS1	1,777.39
SCE-14T	Console Top	16.00	24.00	12.50	C1	IS1	453.21
SCE-14P1	Swing-Out Panel	22.00	18.12		P2	IS1	168.79
SCE-14P2	Half Panel	22.00	17.00		P3	IS1	144.32
SCE-14P3	Full Panel	42.25	17.00		P3	IS1	207.61
SCE-14R	Rack Angles	29.00 High (set of 2)			P2	IS1	149.50
SCE-14W	Writing Desk	24.00	10.00		P2	IS1	135.04

SERIES 14 SINGLE DOOR CONSOLES - 36" WIDE

ENCLOSURES							
Catalog No.	Description	Height (A)	Width (B)	Depth (C)	Product Code	Industry Standard	List Price
SCE-1436B	Console Body	50.00	36.00	23.00	C1	IS1	2,078.69
SCE-1436T	Console Top	16.00	36.00	12.50	C1	IS1	562.08
SCE-1436P1	Swing-Out Panel	22.00	30.12		P2	IS1	209.78
SCE-1436P2	Half Panel	22.00	29.00		P3	IS1	177.24
SCE-1436P3	Full Panel	42.25	29.00		P3	IS1	273.44
SCE-1436W	Writing Desk	36.00	10.00		P2	IS1	173.62



OPTIONAL TOP NOTES:
1. SINGLE FRONT & TWO REAR ACCESS PANELS ON 48.00 [1219] & 60.00 [1524] WIDE.
2. TWO FRONT & TWO REAR ACCESS PANELS ON 72.00 [1829] WIDE.



SERIES 14 SINGLE DOOR CONSOLES

TECHNICAL DATA

