

## DESK CONSOLES

### Application -

Intended for indoor use to provide a degree of protection to personnel against access to hazardous parts also to provide a degree of protection for the equipment inside the enclosure against ingress of solid foreign objects and falling dirt, to provide a degree of protection with respect to harmful effects on the equipment due to the ingress of water, splashing water. Designed for use in a standing or sitting position with single and dual access and top that opens for easy accessibility. For installation information, consult our Installation Manual at [www.saginawcontrol.com](http://www.saginawcontrol.com).

### Construction -

- 0.075" carbon steel.
- Seams continuously welded and ground smooth.
- 25 Degree Sloped top.
- Door props on sloped door to hold in the open position.
- Oil and water resistant gasket.
- Flange trough collar around all sides of door opening.
- Concealed hinge.
- Removable doors.
- Removable print pocket.
- Ground studs on door and body.
- Rubber pads with provision for leveling pads on bottom of enclosure.
- Black, quarter turn latches on top door.
- Keylocking black 3-point flush swing handle in front door of single access, front and rear doors on dual access.
- Optional tamper-resistant inserts or padlocking handles are available.
- Mounting studs welded on interior back for mounting optional sub-panels on single access console.
- Mounting channels welded on sides of interior body for mounting optional sub-panels on dual access console.
- Mounting hardware included for (1) optional sub-panel.

### Finish -

ANSI-61 gray powder coated inside and out. Optional sub-panels are powder coated white.

### Options -

Can be special ordered in type 304 or 316/316L stainless steel.

#### IS1 - Industry Standards -

NEMA Type 12 & Type 13  
UL Listed Type 12  
CSA Type 12  
IEC 60529 IP 55

#### IS2 - Industry Standards -

NEMA Type 4, 12 & Type 13  
UL Listed Type 4 & 12  
CSA Type 4 & 12  
IEC 60529 IP66

## DESK CONSOLES

ENCLOSURE PRODUCT CODE C1						SUB-PANEL (P3)	
Catalog No.	Height (A)	Width (B)	Depth (C)	Industry Standard	List Price	Catalog No.	List Price
<b>Single Access Single Door</b>							
SCE-402516SDC	40.25	25.25	15.50	IS2	942.59	SCE-30P24	63.29
SCE-403716SDC	40.25	37.25	15.50	IS1	1,071.39	SCE-36P30	101.27
SCE-462519SDC	46.25	25.25	24.00	IS2	1,298.64	SCE-36P24	75.96
SCE-463719SDC	46.25	37.25	18.50	IS1	1,441.43	SCE-36P36	118.99
<b>Dual Access Single Door</b>							
SCE-462519DC	46.25	25.25	18.50	IS2	1,383.50	SCE-36P24	75.96
SCE-463719DC	46.25	37.25	18.50	IS1	1,522.45	SCE-36P36	118.99
<b>Single Access Two Door</b>							
SCE-464919SDC	46.25	49.25	18.50	IS1	1,667.18	SCE-48P36	154.46
SCE-466019SDC	46.25	59.88	18.50	IS1	2,158.34	SCE-60PC36	181.41
<b>Dual Access Overlapping Two Door</b>							
SCE-464919DC	46.25	49.25	18.50	IS1	1,753.31	SCE-48P36	154.46
SCE-466019DC	46.25	59.88	18.50	IS1	2,330.54	SCE-60PC36	181.41
<b>Dual Access Two Door with Center Channel</b>							
SCE-464919DCC	46.25	49.25	18.50	IS2	2,061.51	SCE-48P36	154.46
SCE-466019DCC	46.25	59.88	18.50	IS2	2,648.34	SCE-60PC36	181.41

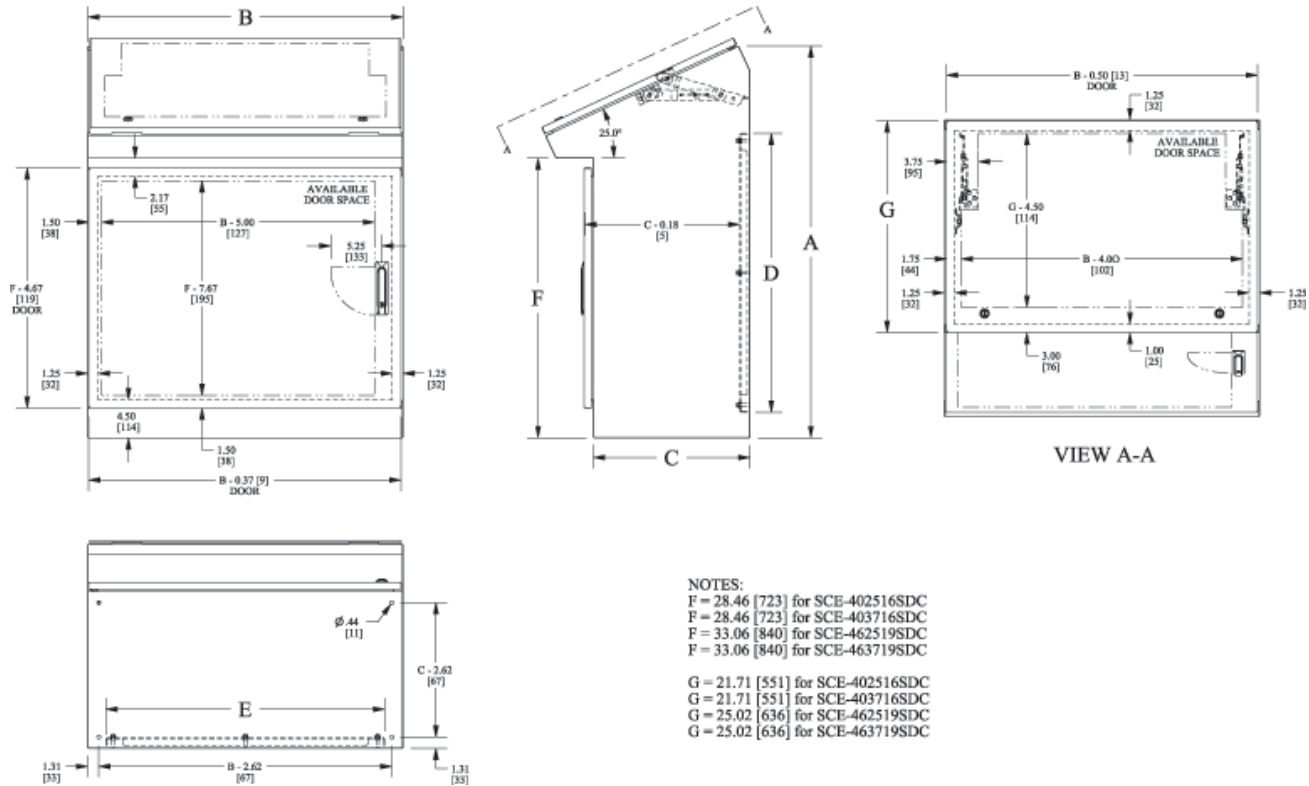


Phone (989) 799-6871  
Fax (989) 799-4524

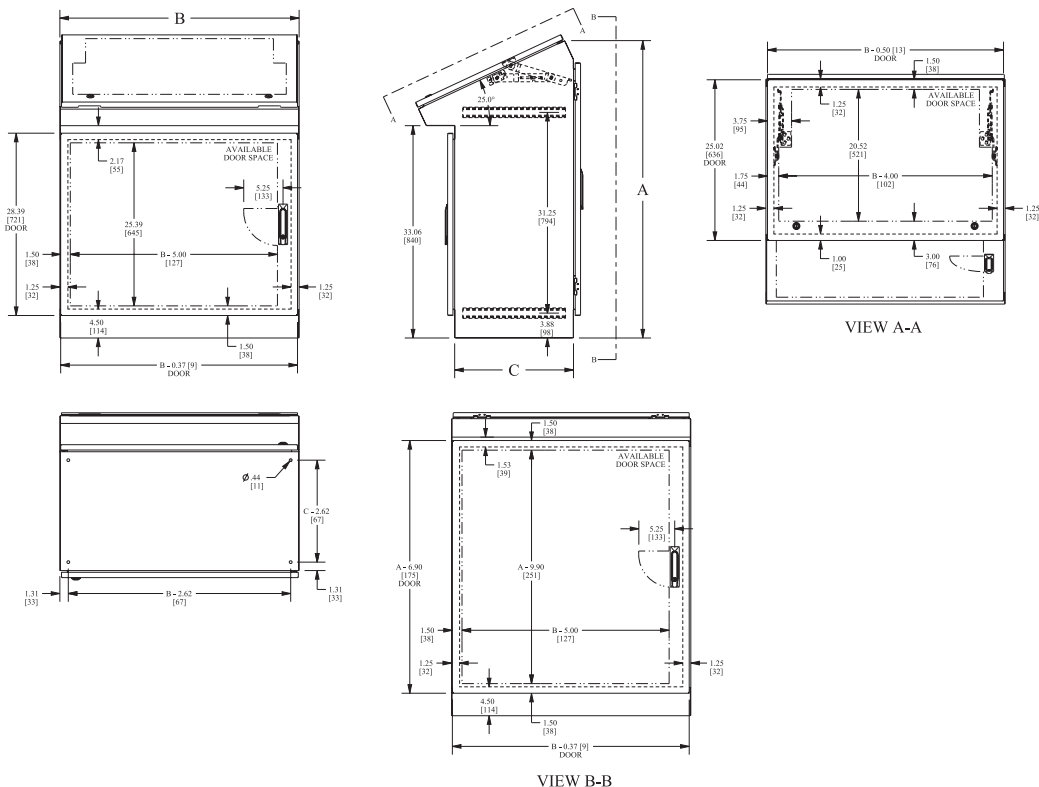
**SCE** SAGINAW  
CONTROL &  
ENGINEERING  
Your Enclosure Source

# DESK CONSOLES TECHNICAL DATA

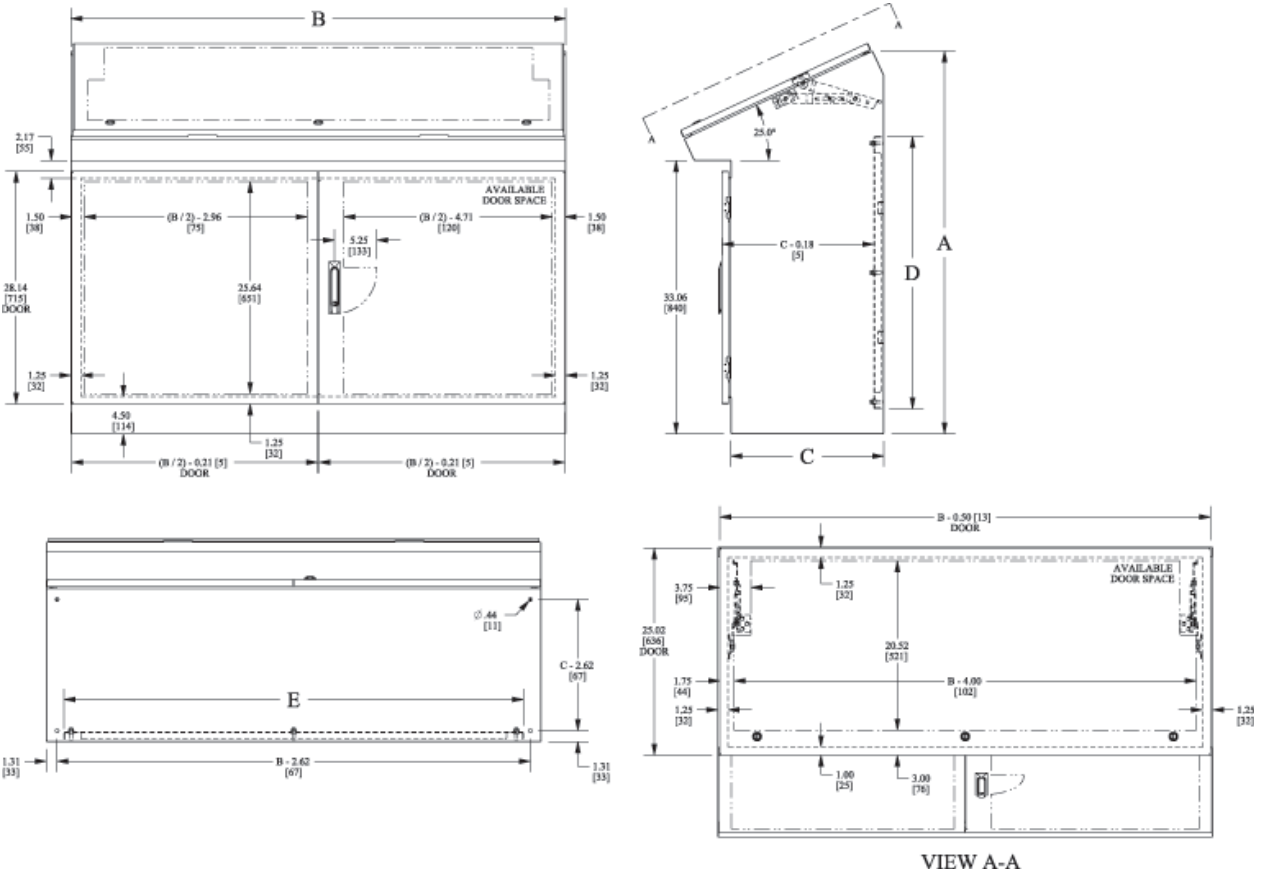
## SINGLE ACCESS SINGLE DOOR



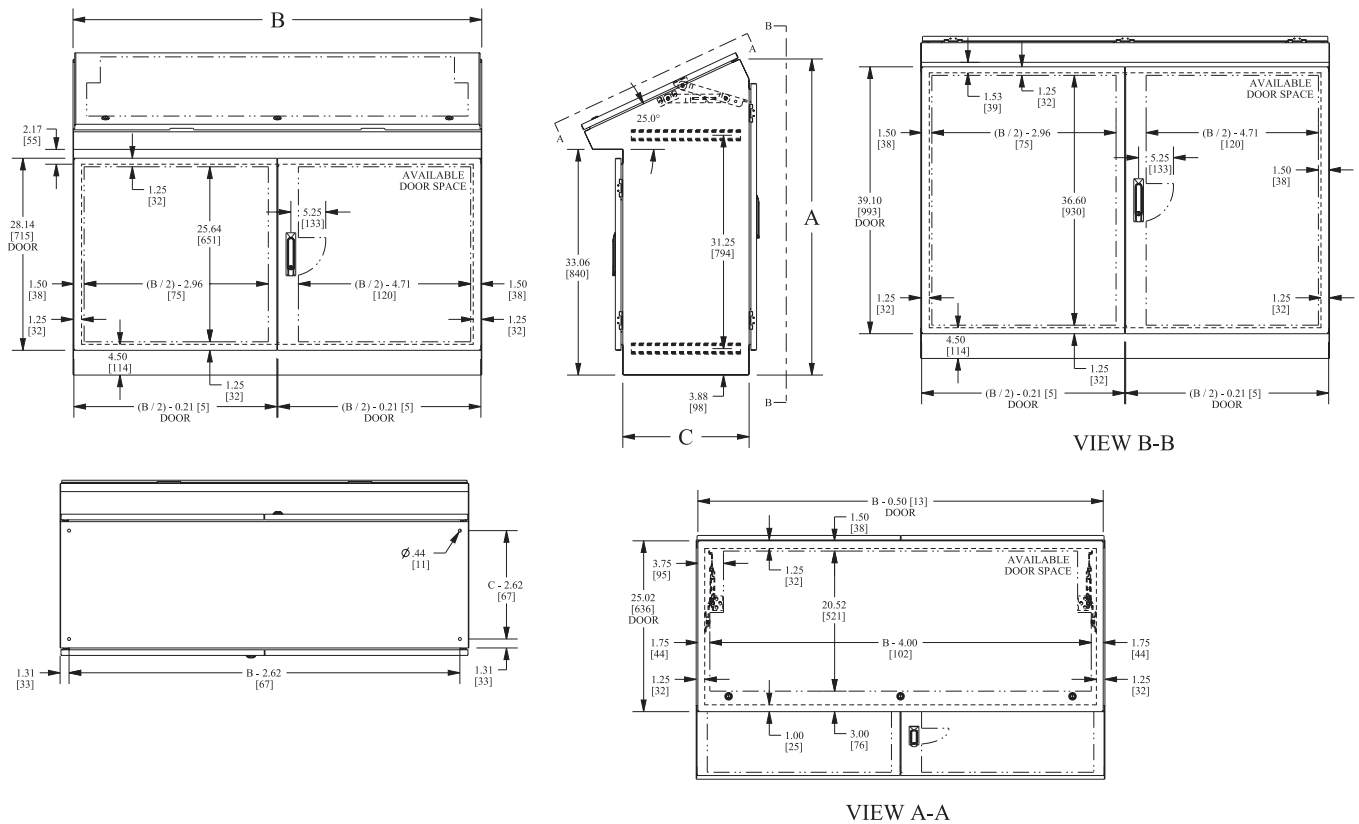
## DUAL ACCESS SINGLE DOOR



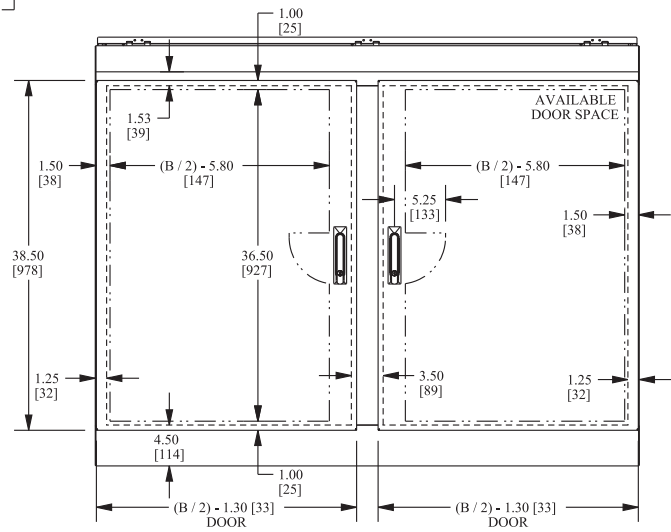
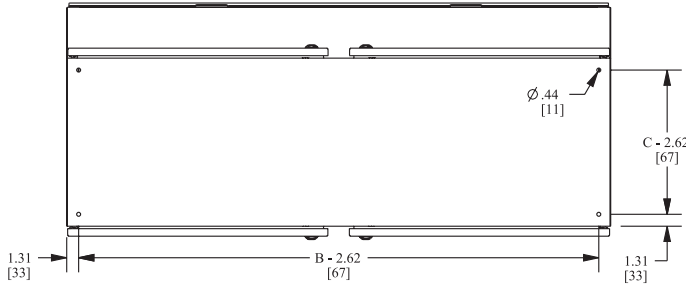
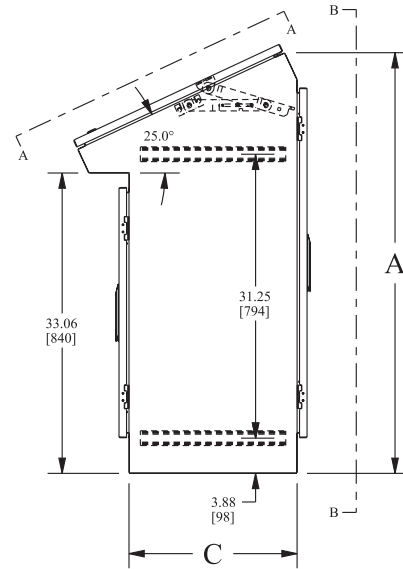
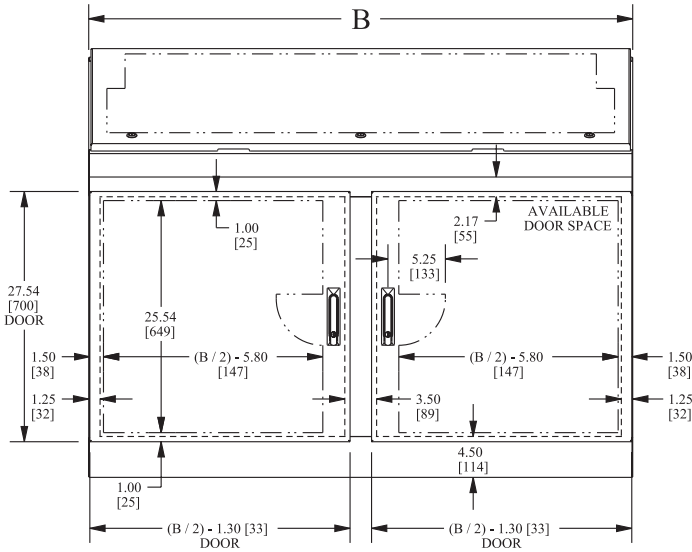
SINGLE ACCESS TWO DOOR



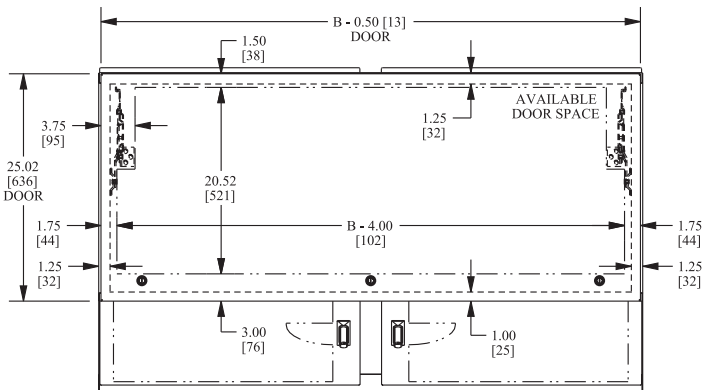
DUAL ACCESS OVERLAPPING TWO DOOR



DUAL ACCESS TWO DOOR WITH CENTER CHANNEL



VIEW B-B



VIEW A-A