

## Stainless Steel Enviroline® Series Trough Junction Enclosures with Viewing Window

### Application -

Designed to house electrical controls, drives, instruments and components used in an indoor or outdoor environment to provide a degree of protection for the equipment inside the enclosure against ingress of solid foreign objects (falling dirt); and provide a degree of protection with respect to the harmful effects on the equipment due to the ingress of water (rain, sleet, snow). For installation information, consult our Installation Manual at [www.saginawcontrol.com](http://www.saginawcontrol.com).

### Construction -

- 0.063" stainless steel Type 304.
- Seams continuously welded and ground smooth.
- Flange trough collar around all sides of door opening.
- Large viewing windows.
- Oil-resistant gasket.
- Standoffs provided for mounting optional sub-panels.
- Removable hinges.
- Doors open 180 degrees.
- Black mini quarter turn latches.
- Latches are opened or closed with a screwdriver.
- Sealing washers and hole plugs included.
- Ground stud on door and body.
- Mounting holes in back.
- Mounting feet included.
- Padlocking or keylocking latches, and tamper-resistant hardware is available.

### Finish -

#4 brushed finish on all exterior surfaces. Optional sub-panels are powder coated white.

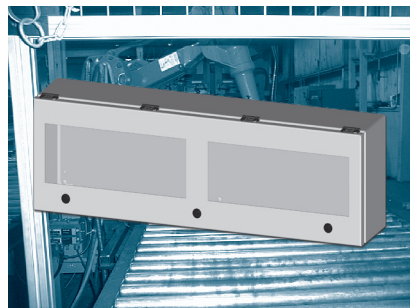
### IS5 - Industry Standards -

NEMA Type 4, 4X, 12 & Type 13  
UL Listed Type 4, 4X & 12  
CSA Type 4, 4X & 12  
IEC 60529 IP66

## STAINLESS STEEL ENVIROLINE® SERIES TROUGH JUNCTION ENCLOSURES WITH VIEWING WINDOW

ENCLOSURE PRODUCT CODE S6						SUB-PANEL (P3)			
Catalog No.	Height (A)	Width (B)	Depth (C)	Industry Standard	List Price	Catalog No.	Panel Height (D)	Panel Width (E)	List Price
SCE-L9126ELJWSS	9.00	12.00	6.00	IS5	933.54	SCE-9P12L	8.00	11.00	18.86
SCE-L9186ELJWSS	9.00	18.00	6.00	IS5	942.86	SCE-9P18L	8.00	17.00	26.63
SCE-L9246ELJWSS	9.00	24.00	6.00	IS5	1,028.89	SCE-9P24L	8.00	23.00	29.14
SCE-L9306ELJWSS	9.00	30.00	6.00	IS5	1,039.07	SCE-9P30L	8.00	29.00	31.92
SCE-L9366ELJWSS	9.00	36.00	6.00	IS5	1,049.68	SCE-9P36L	8.00	35.00	34.97

*Available within 10 working days if not in stock*

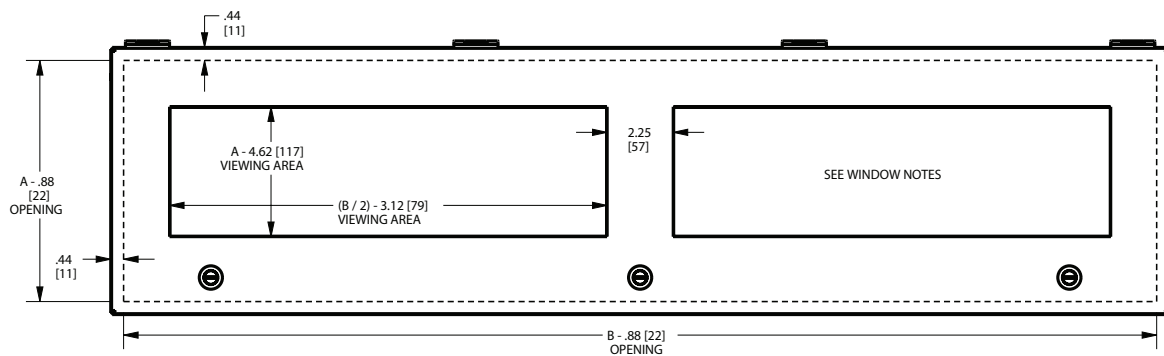
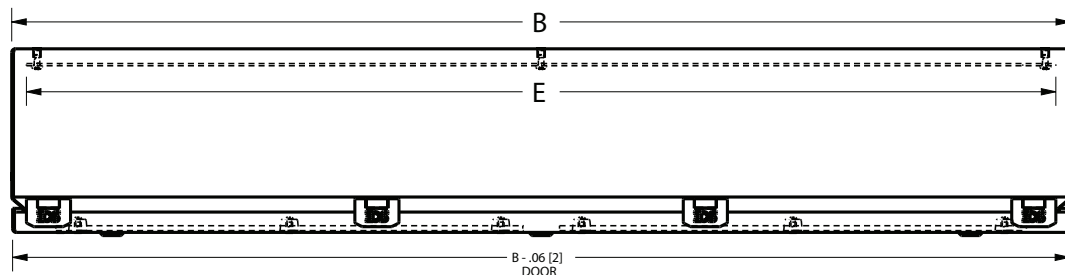


Phone (989) 799-6871  
Fax (989) 799-4524



# STAINLESS STEEL ENVIROLINE® SERIES TROUGH JUNCTION ENCLOSURES WITH VIEWING WINDOW

## TECHNICAL DATA



**LATCH NOTES:**  
 One latch centered on door horizontally if width is  $\leq 14.00$  [356]  
 Two latches located 3.00 [76] from sides of door if width is  $> 14.00$  [356]  
 An Additional latch is centered horizontally if width is  $> 20.00$  [508]

**WINDOW NOTES:**  
 Door has a single window when viewing area width is  $\leq 16.00$  [406]  
 Door has two windows if viewing area width would be  $> 16.00$  for a single window.

