

304 Stainless Steel EnviroLine® Series Enclosures

Application -

Designed to house electrical and electronic controls, instruments and components in areas which may be regularly hosed down or are in very wet conditions. Provides protection from dust, dirt, oil, and water. For outdoor application a drip shield is recommended. For installation information, consult our Installation Manual at www.saginawcontrol.com.

Construction -

- 0.075" stainless steel Type 304.
- Seams continuously welded and ground smooth.
- Flange trough collar around all sides of door opening.
- Oil-resistant gasket.
- Collar studs provided for mounting optional sub-panels.
- Stainless steel concealed hinge.
- Removable and interchangeable doors.
- Black quarter turn latches.
- Latches are opened or closed with a screwdriver (optional tamper-resistant inserts are available).
- Mounting holes in back of enclosure.
- Mounting hardware, sealing washer and hole plug included.
- Removable print pocket.
- Ground studs on door and body.

Options -

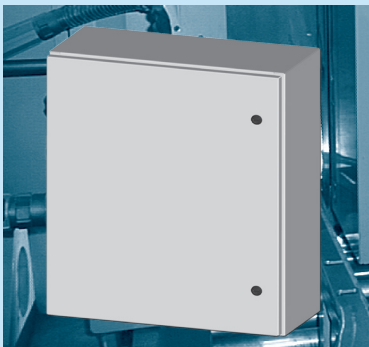
- Optional mounting feet available.
- Door hardware available.

Finish -

#4 brushed finish on all exterior surfaces. Optional sub-panels are powder coated white.

IS5 - Industry Standards -

NEMA Type 4, 4X, 12 & Type 13
UL Listed Type 4, 4X & 12
CSA Type 4, 4X & 12
IEC 60529 IP66

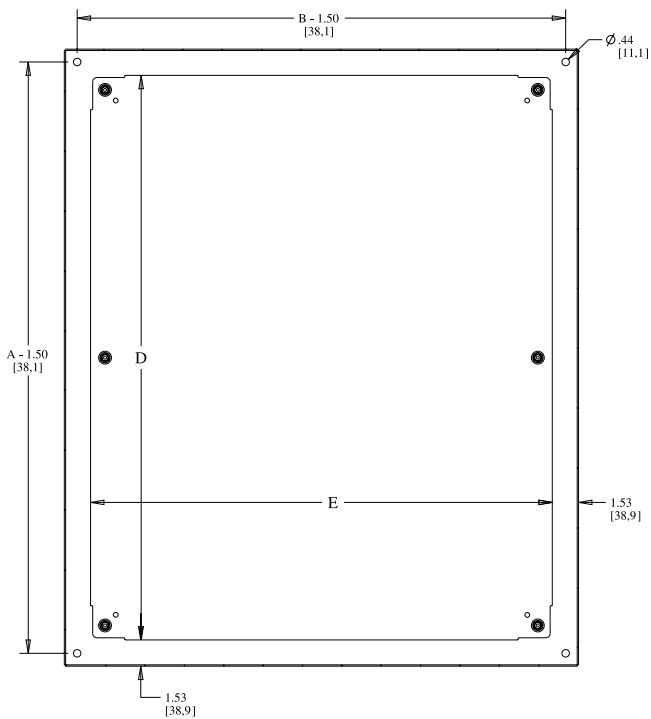
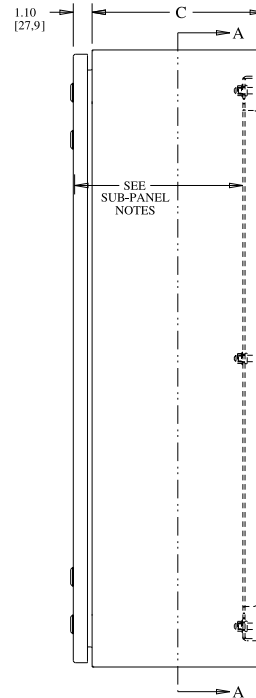
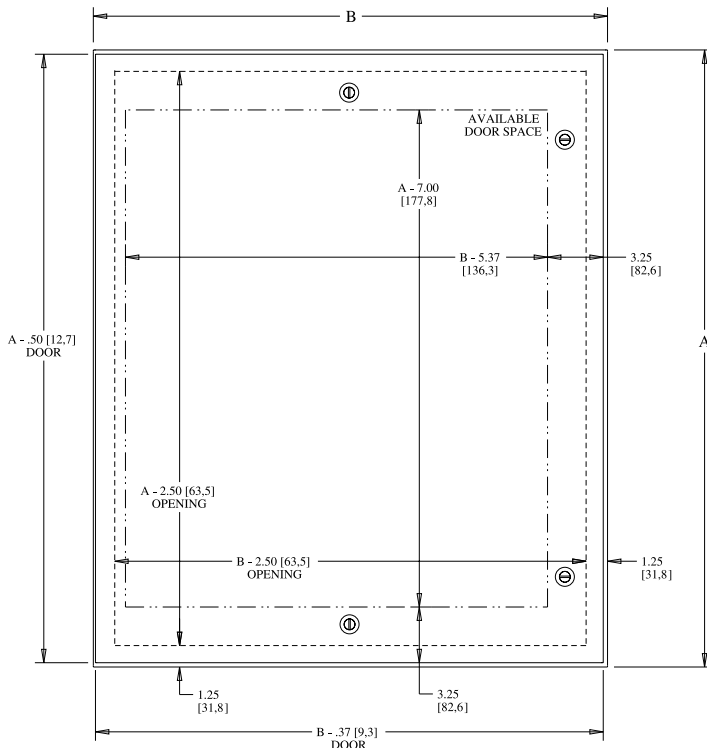


304 STAINLESS STEEL ENVIROLINE® SERIES ENCLOSURES

ENCLOSURE PRODUCT CODE S5						SUB-PANEL (P3)			
Catalog No.	Height (A)	Width (B)	Depth (C)	Industry Standard	List Price	Catalog No.	Panel Height (D)	Panel Width (E)	List Price
SCE-12EL1206SSLP	12.00	12.00	6.00	IS5	536.16	SCE-12DLP12	9.00	9.00	13.67
SCE-12EL2406SSLP	12.00	24.00	6.00	IS5	712.62	SCE-12P24	9.00	21.00	27.86
SCE-16EL1206SSLP	16.00	12.00	6.00	IS5	590.45	SCE-16P12	13.00	9.00	14.81
SCE-16EL1208SSLP	16.00	12.00	8.00	IS5	631.18	SCE-16P12	13.00	9.00	14.81
SCE-16EL1606SSLP	16.00	16.00	6.00	IS5	654.26	SCE-16P16	13.00	13.00	24.57
SCE-16EL1608SSLP	16.00	16.00	8.00	IS5	688.19	SCE-16P16	13.00	13.00	24.57
SCE-16EL2008SSLP	16.00	20.00	8.00	IS5	770.98	SCE-20P16	17.00	13.00	30.37
SCE-20EL1606SSLP	20.00	16.00	6.00	IS5	726.19	SCE-20P16	17.00	13.00	30.37
SCE-20EL1608SSLP	20.00	16.00	8.00	IS5	770.98	SCE-20P16	17.00	13.00	30.37
SCE-20EL1610SSLP	20.00	16.00	10.00	IS5	822.57	SCE-20P16	17.00	13.00	30.37
SCE-20EL2006SSLP	20.00	20.00	6.00	IS5	794.06	SCE-20P20	17.00	17.00	35.44
SCE-20EL2008SSLP	20.00	20.00	8.00	IS5	853.79	SCE-20P20	17.00	17.00	35.44
SCE-20EL2010SSLP	20.00	20.00	10.00	IS5	909.44	SCE-20P20	17.00	17.00	35.44
SCE-20EL2408SSLP	20.00	24.00	8.00	IS5	933.87	SCE-24P20	21.00	17.00	45.57
SCE-24EL1608SSLP	24.00	16.00	8.00	IS5	840.20	SCE-24P16	21.00	13.00	32.92
SCE-24EL2006SSLP	24.00	20.00	6.00	IS5	890.43	SCE-24P20	21.00	17.00	45.57
SCE-24EL2008SSLP	24.00	20.00	8.00	IS5	933.87	SCE-24P20	21.00	17.00	45.57
SCE-24EL2010SSLP	24.00	20.00	10.00	IS5	997.67	SCE-24P20	21.00	17.00	45.57
SCE-24EL2012SSLP	24.00	20.00	12.00	IS5	1,058.74	SCE-24P20	21.00	17.00	45.57
SCE-24EL2408SSLP	24.00	24.00	8.00	IS5	1,026.17	SCE-24P24	21.00	21.00	53.18
SCE-24EL2410SSLP	24.00	24.00	10.00	IS5	1,096.74	SCE-24P24	21.00	21.00	53.18
SCE-24EL2412SSLP	24.00	24.00	12.00	IS5	1,167.34	SCE-24P24	21.00	21.00	53.18
SCE-24EL2416SSLP	24.00	24.00	16.00	IS5	1,323.43	SCE-24P24	21.00	21.00	53.18
SCE-24EL3008SSLP	24.00	30.00	8.00	IS5	1,165.97	SCE-30P24	27.00	21.00	63.29
SCE-24EL3010SSLP	24.00	30.00	10.00	IS5	1,254.20	SCE-30P24	27.00	21.00	63.29
SCE-30EL1606SSLP	30.00	16.00	6.00	IS5	977.30	SCE-30P16	27.00	13.00	45.57
SCE-30EL2008SSLP	30.00	20.00	8.00	IS5	1,058.74	SCE-30P20	27.00	17.00	55.70
SCE-30EL2010SSLP	30.00	20.00	10.00	IS5	1,146.97	SCE-30P20	27.00	17.00	55.70
SCE-30EL2408SSLP	30.00	24.00	8.00	IS5	1,167.34	SCE-30P24	27.00	21.00	63.29
SCE-30EL2410SSLP	30.00	24.00	10.00	IS5	1,255.56	SCE-30P24	27.00	21.00	63.29
SCE-30EL2412SSLP	30.00	24.00	12.00	IS5	1,330.21	SCE-30P24	27.00	21.00	63.29
SCE-30EL2416SSLP	30.00	24.00	16.00	IS5	1,465.95	SCE-30P24	27.00	21.00	63.29
SCE-30EL3008SSLP	30.00	30.00	8.00	IS5	1,337.00	SCE-30P30	27.00	27.00	83.55
SCE-30EL3010SSLP	30.00	30.00	10.00	IS5	1,418.45	SCE-30P30	27.00	27.00	83.55
SCE-30EL3012SSLP	30.00	30.00	12.00	IS5	1,506.67	SCE-30P30	27.00	27.00	83.55
SCE-30EL3608SSLP	30.00	36.00	8.00	IS5	1,495.82	SCE-36P30	33.00	27.00	101.27
SCE-36EL2408SSLP	36.00	24.00	8.00	IS5	1,316.64	SCE-36P24	33.00	21.00	75.96
SCE-36EL2410SSLP	36.00	24.00	10.00	IS5	1,404.88	SCE-36P24	33.00	21.00	75.96
SCE-36EL3008SSLP	36.00	30.00	8.00	IS5	1,495.82	SCE-36P30	33.00	27.00	101.27
SCE-36EL3010SSLP	36.00	30.00	10.00	IS5	1,607.12	SCE-36P30	33.00	27.00	101.27
SCE-36EL3012SSLP	36.00	30.00	12.00	IS5	1,703.48	SCE-36P30	33.00	27.00	101.27
SCE-36EL3016SSLP	36.00	30.00	16.00	IS5	1,797.36	SCE-36P30	33.00	27.00	101.27
SCE-36EL3608SSLP	36.00	36.00	8.00	IS5	1,723.86	SCE-36P36	33.00	33.00	118.99
SCE-36EL3612SSLP	36.00	36.00	12.00	IS5	1,913.89	SCE-36P36	33.00	33.00	118.99
SCE-42EL2410SSLP	42.00	24.00	10.00	IS5	1,628.84	SCE-42P24	39.00	21.00	91.14
SCE-42EL3010SSLP	42.00	30.00	10.00	IS5	1,783.57	SCE-42P30	39.00	27.00	116.47
SCE-42EL3612SSLP	42.00	36.00	12.00	IS5	2,106.63	SCE-42P36	39.00	33.00	136.72
SCE-42EL3616SSLP	42.00	36.00	16.00	IS5	2,236.93	SCE-42P36	39.00	33.00	136.72
SCE-48EL3612SSLP	48.00	36.00	12.00	IS5	2,334.67	SCE-48P36	45.00	33.00	154.46
SCE-48EL3616SSLP	48.00	36.00	16.00	IS5	2,545.05	SCE-48P36	45.00	33.00	154.46
SCE-60EL3612SSLP	60.00	36.00	12.00	IS5	2,755.44	SCE-60P36	57.00	33.00	189.89
SCE-60EL3616SSLP	60.00	36.00	16.00	IS5	2,972.63	SCE-60P36	57.00	33.00	189.89
SCE-60EL3624SSLP	60.00	36.00	24.00	IS5	3,580.50	SCE-60P36	57.00	33.00	189.89
SCE-72EL3016SSLP	72.00	30.00	16.00	IS5	3,189.81	SCE-72P30	69.00	27.00	210.15
SCE-72EL3612SSLP	72.00	36.00	12.00	IS5	3,278.03	SCE-72P36	69.00	33.00	225.33
SCE-72EL3616SSLP	72.00	36.00	16.00	IS5	3,461.27	SCE-72P36	69.00	33.00	225.33

STAINLESS STEEL ENVIROLINE® SERIES ENCLOSURES

TECHNICAL DATA



SECTION A-A

SUB-PANEL NOTES:

Dimensions are from the inside of the door
 $C + 0.32$ [8.1] for flat sub-panels
 $C - 0.18$ [4.5] for bent sub-panels

LATCH NOTES:

Enclosures $< 24.00'$ [609.6] in height require only one latch centered on door.
 Enclosures $\geq 24.00'$ [609.6] and $< 40.00'$ [1016] in height require two latches on door.
 Enclosures $\geq 40.00'$ [1016] require three latches on door.
 Omit center latch top and bottom of door when door width is $\leq 30.00'$ [762]