

## Stainless Steel Enviroline® Series Wall-Mount Sloping Top Enclosures

### Application -

Designed to house electrical and electronic controls, instrumentation and components in indoor, outdoor and sanitary locations. For installation information, consult our Installation Manual at [www.saginawcontrol.com](http://www.saginawcontrol.com).

### Construction -

- 0.075" stainless steel Type 304.
- Seams continuously welded and ground smooth.
- Flange trough collar around all sides of door opening.
- 15 Degree Sloping Top.
- Collar studs provided for mounting optional sub-panels.
- Mounting holes in back of the enclosure for wall mounting.
- Mounting hardware, sealing washers and hole plugs included.
- Stainless steel concealed hinges.
- Removable and interchangeable doors.
- Black quarter turn latches.
- Latches are opened or closed with a screwdriver (optional tamper resistant latches are available).
- Removable print pocket.
- Oil & water resistant gasket.
- Ground stud on door and body.

### Finish -

# 4 Brushed finish on all exterior surfaces. Optional sub-panels are powder coated white.

### IS5 - Industry Standards -

NEMA Type 4, 4X, 12 & Type 13  
UL Listed Type 4, 4X & 12  
CSA Type 4, 4X & 12  
IEC 60529 IP66

## STAINLESS STEEL ENVIROLINE® SERIES WALL-MOUNT SLOPING TOP ENCLOSURES

ENCLOSURE PRODUCT CODE S8						SUB-PANEL (P3)			
Catalog No.	Height (A)	Width (B)	Depth (C)	Industry Standard	List Price	Catalog No.	Panel Height (D)	Panel Width (E)	List Price
SCE-16EL1208SSST	16.00	12.00	8.00	IS5	883.65	SCE-16P12	13.00	9.00	14.81
SCE-16EL1608SSST	16.00	16.00	8.00	IS5	963.47	SCE-16P16	13.00	13.00	24.57
SCE-20EL1608SSST	20.00	16.00	8.00	IS5	1,079.37	SCE-20P16	17.00	13.00	30.37
SCE-20EL1612SSST	20.00	16.00	12.00	IS5	1,210.13	SCE-20P16	17.00	13.00	30.37
SCE-20EL2008SSST	20.00	20.00	8.00	IS5	1,195.31	SCE-20P20	17.00	17.00	35.44
SCE-20EL2012SSST	20.00	20.00	12.00	IS5	1,343.69	SCE-20P20	17.00	17.00	35.44
SCE-24EL2008SSST	24.00	20.00	8.00	IS5	1,307.56	SCE-24P20	21.00	17.00	45.57
SCE-24EL2012SSST	24.00	20.00	12.00	IS5	1,482.24	SCE-24P20	21.00	17.00	45.57
SCE-24EL2408SSST	24.00	24.00	8.00	IS5	1,436.64	SCE-24P24	21.00	21.00	53.18
SCE-24EL2412SSST	24.00	24.00	12.00	IS5	1,634.28	SCE-24P24	21.00	21.00	53.18
SCE-30EL2408SSST	30.00	24.00	8.00	IS5	1,634.28	SCE-30P24	27.00	21.00	63.29
SCE-30EL2412SSST	30.00	24.00	12.00	IS5	1,862.29	SCE-30P24	27.00	21.00	63.29
SCE-30EL3008SSST	30.00	30.00	8.00	IS5	1,871.80	SCE-30P30	27.00	27.00	83.55
SCE-36EL2408SSST	36.00	24.00	8.00	IS5	1,843.30	SCE-36P24	33.00	21.00	75.96
SCE-36EL2412SSST	36.00	24.00	12.00	IS5	2,072.73	SCE-36P24	33.00	21.00	75.96
SCE-36EL3008SSST	36.00	30.00	8.00	IS5	2,094.15	SCE-36P30	33.00	27.00	101.27
SCE-36EL3012SSST	36.00	30.00	12.00	IS5	2,384.87	SCE-36P30	33.00	27.00	101.27
SCE-36EL3016SSST	36.00	30.00	16.00	IS5	2,528.04	SCE-36P30	33.00	27.00	101.27
SCE-48EL3616SSST	48.00	36.00	16.00	IS5	3,563.07	SCE-48P36	45.00	33.00	154.46
SCE-60EL3616SSST	60.00	36.00	16.00	IS5	4,162.10	SCE-60P36	57.00	33.00	189.89

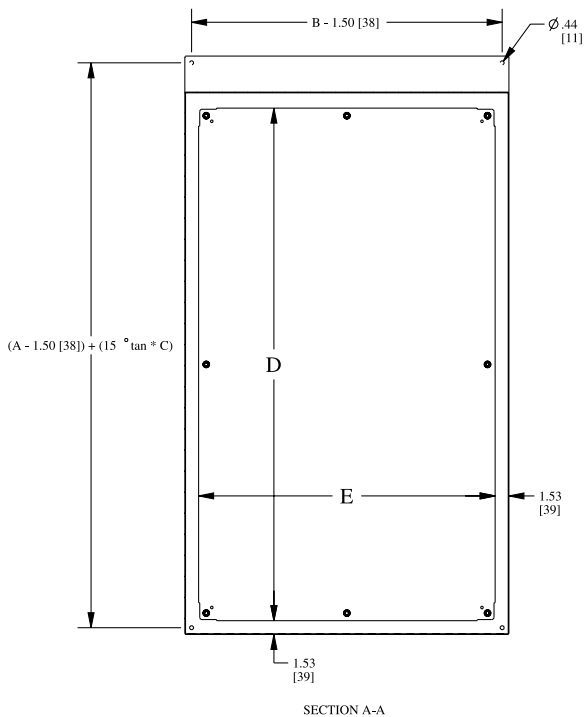
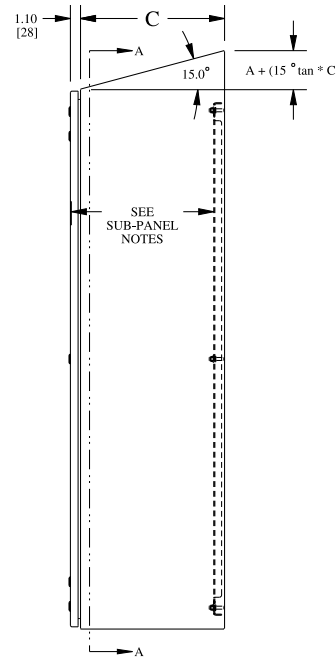
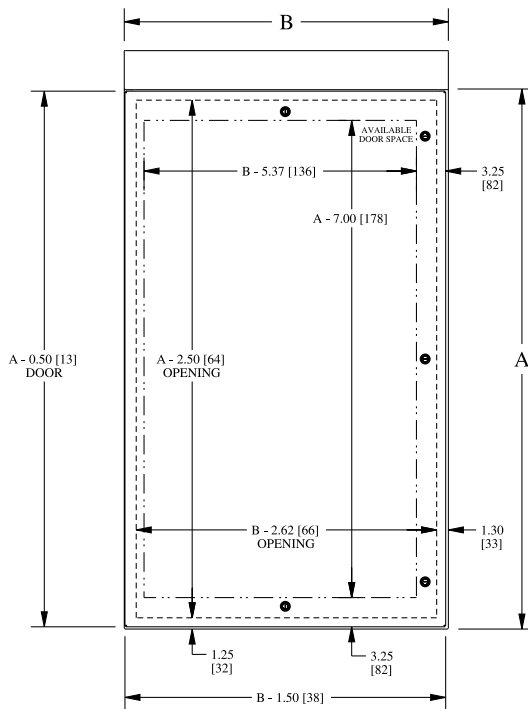


Phone (989) 799-6871  
Fax (989) 799-4524



# STAINLESS STEEL ENVIROLINE® SERIES WALL-MOUNT SLOPING TOP ENCLOSURES

## TECHNICAL DATA



**SUB-PANEL NOTES:**

Dimensions are from the inside of the door  
 C = 0.32 [x,1] for flat sub-panels  
 C - 0.18 [4,5] for bent sub-panels

**LATCH NOTES:**

Enclosures < 24.00" [609,6] in height require only one latch centered on door.  
 Enclosures >= 24.00" [609,6] and < 40.00" [1016] in height require two latches on door.  
 Enclosures >= 40.00" [1016] require three latches on door.  
 Omit center latch top and bottom of door when door width is <= 30.00" [762]