

## 304 Stainless Steel Clamp Fastened Single-Door Enclosures

### Application -

Designed to house electrical and electronic controls, instruments and components in areas which may be regularly hosed down or are in very wet conditions. Provides protection from dust, dirt, oil and water. For outdoor application a drip shield is recommended. For installation information, consult our Installation Manual at [www.saginawcontrol.com](http://www.saginawcontrol.com).

### Construction -

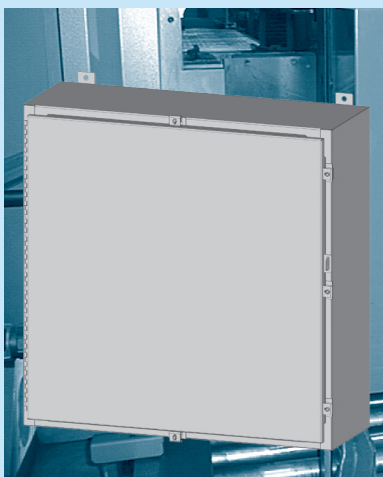
- 0.075" stainless steel Type 304.
- No holes or knockouts, continuously welded seams ground smooth.
- Flange trough collar around all sides of door opening.
- Oil-resistant door gasket.
- Collar studs provided for mounting optional sub-panels.
- Hasp and staple for padlocking.
- Stainless steel continuous hinge.
- Print pocket.
- Ground stud on door.
- Stainless steel clamps.

### Finish -

#4 brushed finish on all exterior surfaces. Optional panels are powder coated white.

### IS5 - Industry Standards -

NEMA Type 4, 4X, 12 & Type 13  
UL Listed Type 4, 4X & 12  
CSA Type 4, 4X & 12  
IEC 60529 IP66



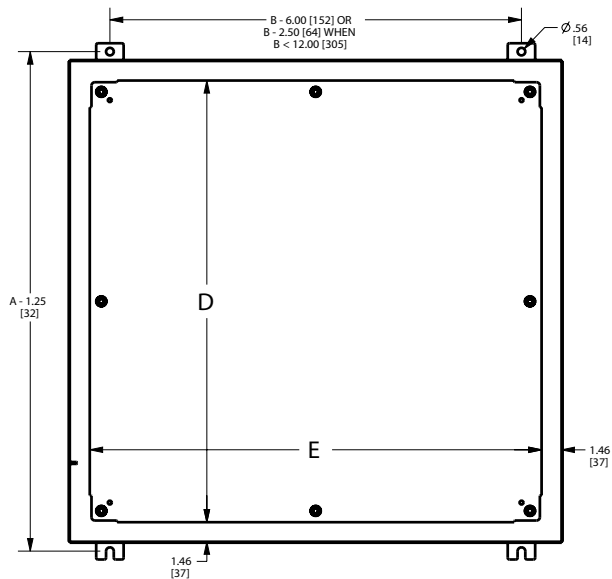
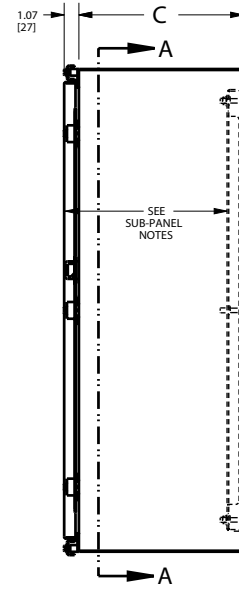
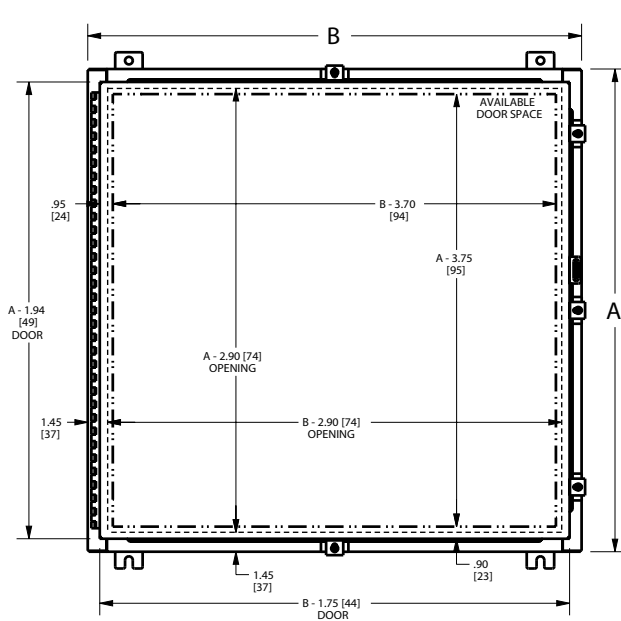
## 304 STAINLESS STEEL CLAMP FASTENED SINGLE-DOOR ENCLOSURES

ENCLOSURE PRODUCT CODE S3						SUB-PANEL (P3)			
Catalog No.	Height (A)	Width (B)	Depth (C)	Industry Standard	List Price	Catalog No.	Panel Height (D)	Panel Width (E)	List Price
SCE-16H1206SSLP	16.00	12.00	6.00	IS5	627.11	SCE-16P12	13.00	9.00	14.81
SCE-16H1208SSLP	16.00	12.00	8.00	IS5	671.90	SCE-16P12	13.00	9.00	14.81
SCE-16H1606SSLP	16.00	16.00	6.00	IS5	696.32	SCE-16P16	13.00	13.00	24.57
SCE-16H2006SSLP	16.00	20.00	6.00	IS5	765.54	SCE-20P16	17.00	13.00	30.37
SCE-20H1606SSLP	20.00	16.00	6.00	IS5	765.54	SCE-20P16	17.00	13.00	30.37
SCE-20H1608SSLP	20.00	16.00	8.00	IS5	819.84	SCE-20P16	17.00	13.00	30.37
SCE-20H1610SSLP	20.00	16.00	10.00	IS5	875.50	SCE-20P16	17.00	13.00	30.37
SCE-20H2006SSLP	20.00	20.00	6.00	IS5	844.28	SCE-20P20	17.00	17.00	35.44
SCE-20H2408SSLP	20.00	24.00	8.00	IS5	990.88	SCE-24P20	21.00	17.00	45.57
SCE-24H1608SSLP	24.00	16.00	8.00	IS5	891.79	SCE-24P16	21.00	13.00	32.92
SCE-24H2006SSLP	24.00	20.00	6.00	IS5	924.36	SCE-24P20	21.00	17.00	45.57
SCE-24H2008SSLP	24.00	20.00	8.00	IS5	990.88	SCE-24P20	21.00	17.00	45.57
SCE-24H2010SSLP	24.00	20.00	10.00	IS5	1,058.74	SCE-24P20	21.00	17.00	45.57
SCE-24H2406SSLP	24.00	24.00	6.00	IS5	950.00	SCE-24P24	21.00	21.00	53.18
SCE-24H2408SSLP	24.00	24.00	8.00	IS5	1,089.96	SCE-24P24	21.00	21.00	53.18
SCE-24H2412SSLP	24.00	24.00	12.00	IS5	1,237.92	SCE-24P24	21.00	21.00	53.18
SCE-24H3008SSLP	24.00	30.00	8.00	IS5	1,237.92	SCE-30P24	27.00	21.00	63.29
SCE-30H2008SSLP	30.00	20.00	8.00	IS5	1,121.18	SCE-30P20	27.00	17.00	55.70
SCE-30H2408SSLP	30.00	24.00	8.00	IS5	1,237.92	SCE-30P24	27.00	21.00	63.29
SCE-30H2412SSLP	30.00	24.00	12.00	IS5	1,403.51	SCE-30P24	27.00	21.00	63.29
SCE-30H2416SSLP	30.00	24.00	16.00	IS5	1,571.81	SCE-30P24	27.00	21.00	63.29
SCE-30H3008SSLP	30.00	30.00	8.00	IS5	1,414.38	SCE-30P30	27.00	27.00	83.55
SCE-36H2408SSLP	36.00	24.00	8.00	IS5	1,385.87	SCE-36P24	33.00	21.00	75.96
SCE-36H2410SSLP	36.00	24.00	10.00	IS5	1,479.52	SCE-36P24	33.00	21.00	75.96
SCE-36H3008SSLP	36.00	30.00	8.00	IS5	1,589.47	SCE-36P30	33.00	27.00	101.27
SCE-36H3010SSLP	36.00	30.00	10.00	IS5	1,691.28	SCE-36P30	33.00	27.00	101.27
SCE-36H3012SSLP	36.00	30.00	12.00	IS5	1,793.07	SCE-36P30	33.00	27.00	101.27
SCE-36H3016SSLP	36.00	30.00	16.00	IS5	1,995.33	SCE-36P30	33.00	27.00	101.27
SCE-36H3612SSLP	36.00	36.00	12.00	IS5	2,014.32	SCE-36P36	33.00	33.00	118.99
SCE-42H3010SSLP	42.00	30.00	10.00	IS5	1,875.88	SCE-42P30	39.00	27.00	116.47
SCE-42H3608SSLP	42.00	36.00	8.00	IS5	1,995.33	SCE-42P36	39.00	33.00	136.72
SCE-48H3608SSLP	48.00	36.00	8.00	IS5	2,198.93	SCE-48P36	45.00	33.00	154.46
SCE-48H3612SSLP	48.00	36.00	12.00	IS5	2,456.83	SCE-48P36	45.00	33.00	154.46
SCE-48H3616SSLP	48.00	36.00	16.00	IS5	2,716.09	SCE-48P36	45.00	33.00	154.46
SCE-60H3612SSLP	60.00	36.00	12.00	IS5	2,900.69	SCE-60P36	57.00	33.00	189.89

Phone (989) 799-6871  
Fax (989) 799-4524



# STAINLESS STEEL CLAMP FASTENED SINGLE-DOOR ENCLOSURES TECHNICAL DATA



SECTION A-A

**SUB-PANEL NOTES:**  
 Dimensions from the inside of the door  
 C + 0.29 [7] for flat sub-panels  
 C - 0.21 [5] for bent sub-panels

**CLAMPING NOTES:**  
 Enclosures < 27.00 [686] in height require two clamps on door.  
 Enclosures  $\geq$  27.00 [686] in height require three clamps on door.  
 Omit center clamp top and bottom of door when door width is  $\leq$  30.00 [762].