

## 316 Stainless Steel Clamp Fastened Single-Door Enclosures

### Application -

Designed to house electrical and electronic controls, instruments and components in areas which may be regularly hosed down or are in very wet conditions. Provides protection from dust, dirt, oil and water. For outdoor application a drip shield is recommended. For installation information, consult our Installation Manual at [www.saginawcontrol.com](http://www.saginawcontrol.com).

### Construction -

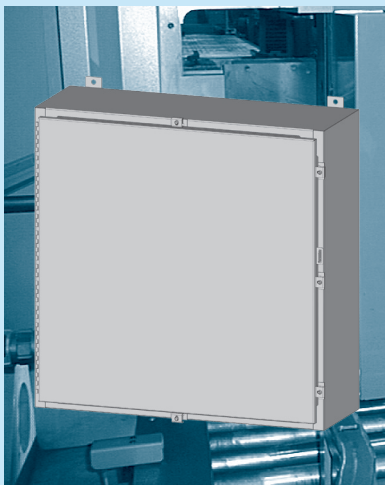
- 0.075" stainless steel Type 316/316L.
- No holes or knockouts, continuously welded seams ground smooth.
- Flange trough collar around all sides of door opening.
- Oil-resistant door gasket.
- Collar studs provided for mounting optional sub-panels.
- Hasp and staple for padlocking.
- Stainless steel continuous hinge.
- Print pocket.
- Ground stud on door.
- Stainless steel clamps.

### Finish -

#4 brushed finish on all exterior surfaces. Optional panels are powder coated white.

### IS5 - Industry Standards -

NEMA Type 4, 4X, 12 & Type 13  
UL Listed Type 4, 4X & 12  
CSA Type 4, 4X & 12  
IEC 60529 IP66



## 316 STAINLESS STEEL CLAMP FASTENED SINGLE-DOOR ENCLOSURES

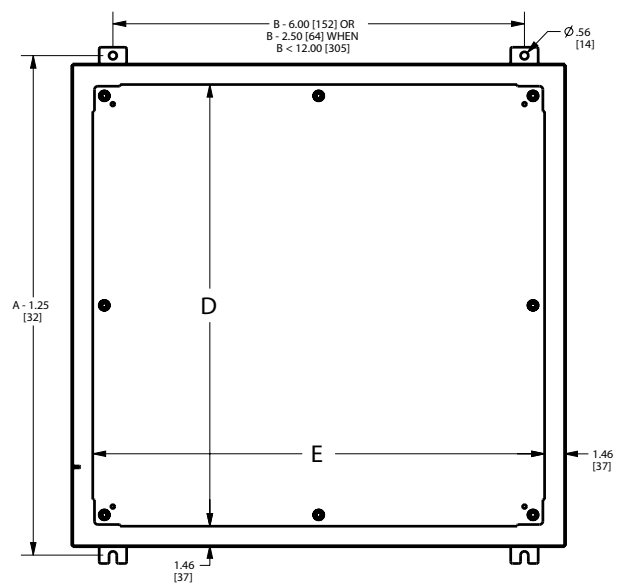
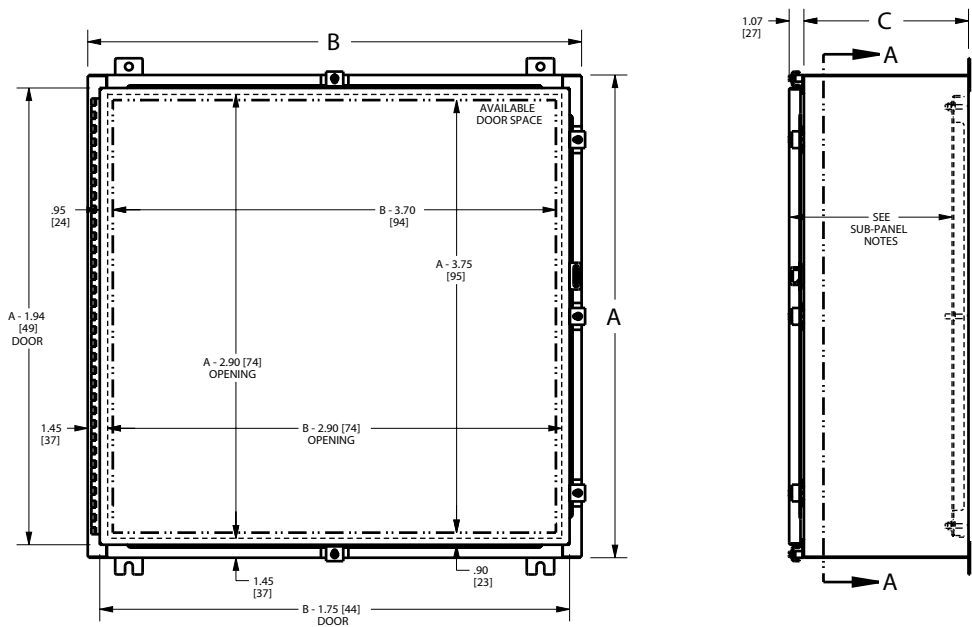
ENCLOSURE PRODUCT CODE S7						SUB-PANEL (P3)			
Catalog No.	Height (A)	Width (B)	Depth (C)	Industry Standard	List Price	Catalog No.	Panel Height (D)	Panel Width (E)	List Price
SCE-16H1206SS6LP	16.00	12.00	6.00	IS5	752.53	SCE-16P12	13.00	9.00	14.81
SCE-16H1208SS6LP	16.00	12.00	8.00	IS5	806.28	SCE-16P12	13.00	9.00	14.81
SCE-16H1606SS6LP	16.00	16.00	6.00	IS5	835.59	SCE-16P16	13.00	13.00	24.57
SCE-16H2006SS6LP	16.00	20.00	6.00	IS5	918.65	SCE-20P16	17.00	13.00	30.37
SCE-20H1606SS6LP	20.00	16.00	6.00	IS5	918.65	SCE-20P16	17.00	13.00	30.37
SCE-20H1608SS6LP	20.00	16.00	8.00	IS5	983.81	SCE-20P16	17.00	13.00	30.37
SCE-20H1610SS6LP	20.00	16.00	10.00	IS5	1,050.60	SCE-20P16	17.00	13.00	30.37
SCE-20H2006SS6LP	20.00	20.00	6.00	IS5	1,013.14	SCE-20P20	17.00	17.00	35.44
SCE-20H2408SS6LP	20.00	24.00	8.00	IS5	1,189.05	SCE-24P20	21.00	17.00	45.57
SCE-24H1608SS6LP	24.00	16.00	8.00	IS5	1,070.15	SCE-24P16	21.00	13.00	32.92
SCE-24H2006SS6LP	24.00	20.00	6.00	IS5	1,109.24	SCE-24P20	21.00	17.00	45.57
SCE-24H2008SS6LP	24.00	20.00	8.00	IS5	1,189.05	SCE-24P20	21.00	17.00	45.57
SCE-24H2010SS6LP	24.00	20.00	10.00	IS5	1,270.49	SCE-24P20	21.00	17.00	45.57
SCE-24H2408SS6LP	24.00	24.00	8.00	IS5	1,307.95	SCE-24P24	21.00	21.00	53.18
SCE-24H2412SS6LP	24.00	24.00	12.00	IS5	1,485.51	SCE-24P24	21.00	21.00	53.18
SCE-24H3008SS6LP	24.00	30.00	8.00	IS5	1,485.51	SCE-30P24	27.00	21.00	63.29
SCE-30H2008SS6LP	30.00	20.00	8.00	IS5	1,345.42	SCE-30P20	27.00	17.00	55.70
SCE-30H2408SS6LP	30.00	24.00	8.00	IS5	1,485.51	SCE-30P24	27.00	21.00	63.29
SCE-30H2412SS6LP	30.00	24.00	12.00	IS5	1,684.21	SCE-30P24	27.00	21.00	63.29
SCE-30H2416SS6LP	30.00	24.00	16.00	IS5	1,886.18	SCE-30P24	27.00	21.00	63.29
SCE-30H3008SS6LP	30.00	30.00	8.00	IS5	1,697.26	SCE-30P30	27.00	27.00	83.55
SCE-36H2408SS6LP	36.00	24.00	8.00	IS5	1,663.04	SCE-36P24	33.00	21.00	75.96
SCE-36H2410SS6LP	36.00	24.00	10.00	IS5	1,775.43	SCE-36P24	33.00	21.00	75.96
SCE-36H3008SS6LP	36.00	30.00	8.00	IS5	1,907.36	SCE-36P30	33.00	27.00	101.27
SCE-36H3010SS6LP	36.00	30.00	10.00	IS5	2,029.53	SCE-36P30	33.00	27.00	101.27
SCE-36H3012SS6LP	36.00	30.00	12.00	IS5	2,151.69	SCE-36P30	33.00	27.00	101.27
SCE-36H3016SS6LP	36.00	30.00	16.00	IS5	2,394.40	SCE-36P30	33.00	27.00	101.27
SCE-36H3612SS6LP	36.00	36.00	12.00	IS5	2,417.18	SCE-36P36	33.00	33.00	118.99
SCE-42H3010SS6LP	42.00	30.00	10.00	IS5	2,251.05	SCE-42P30	39.00	27.00	116.47
SCE-42H3608SS6LP	42.00	36.00	8.00	IS5	2,394.40	SCE-42P36	39.00	33.00	136.72
SCE-48H3608SS6LP	48.00	36.00	8.00	IS5	2,638.72	SCE-48P36	45.00	33.00	154.46
SCE-48H3612SS6LP	48.00	36.00	12.00	IS5	2,948.19	SCE-48P36	45.00	33.00	154.46
SCE-48H3616SS6LP	48.00	36.00	16.00	IS5	3,259.31	SCE-48P36	45.00	33.00	154.46
SCE-60H3612SS6LP	60.00	36.00	12.00	IS5	3,480.82	SCE-60P36	57.00	33.00	189.89

Available within 10 working days if not in stock

Phone (989) 799-6871  
Fax (989) 799-4524



# STAINLESS STEEL CLAMP FASTENED SINGLE-DOOR ENCLOSURES TECHNICAL DATA



SECTION A-A

**SUB-PANEL NOTES:**  
 Dimensions from the inside of the door  
 C + 0.29 [7] for flat sub-panels  
 C - 0.21 [5] for bent sub-panels

**CLAMPING NOTES:**  
 Enclosures < 27.00 [686] in height require two clamps on door.  
 Enclosures ≥ 27.00 [686] in height require three clamps on door.  
 Omit center clamp top and bottom of door when door width is ≤ 30.00 [762].