

## 304 Stainless Steel EnviroLine® Series Single-Door Enclosures For Flange-Mounted Disconnects

### Application -

Designed to house most standard type disconnects. For installation information, consult our Installation Manual at [www.saginawcontrol.com](http://www.saginawcontrol.com). For outdoor application a drip shield is recommended.

### Construction -

- 0.075" stainless steel Type 304.
- Seams continuously welded and ground smooth.
- Flange trough collar around all sides of door opening.
- Oil-resistant gasket.
- Collar studs provided for mounting optional sub-panels.
- Holes provided in body for mounting disconnect operating handle and operating mechanism.
- Stainless steel concealed hinge.
- Doors are interchangeable and easily removed by pulling hinge pin.
- 3-point latching mechanism.
- Latches are opened or closed with screwdriver (optional tamper-resistant inserts available).
- Mounting holes in back of enclosure.
- Mounting hardware, sealing washer and hole plug included.
- Black quarter turn latches as required.
- Ground studs on door and body.
- Black zinc die cast coinproof/padlocking handle.

**Disconnect switch (or circuit breaker) and operating mechanism are not furnished with this enclosure.**

### Finish -

#4 brushed finish on all exterior surfaces. Optional sub-panels are powder coated white.

### IS6 - Industry Standards -

NEMA Type 3R, 4, 4X, 12 & Type 13  
UL Listed Type 3R, 4, 4X & 12  
CSA Type 4, 4X & 12  
IEC 60529 IP66

\*\*\*Special Instructions apply for IS3, IS4 and IS6 to maintain the environmental rating of Type 3R for these parts. See the Special Instructions on the Industry Standards page in the Technical Information Section.

## 304 STAINLESS STEEL ENVIROLINE® SERIES SINGLE-DOOR ENCLOSURES FOR FLANGE-MOUNTED DISCONNECTS

| ENCLOSURE PRODUCT CODE S5 |            |           |           |                   |            | SUB-PANEL (P3) |                  |                 |            |
|---------------------------|------------|-----------|-----------|-------------------|------------|----------------|------------------|-----------------|------------|
| Catalog No.               | Height (A) | Width (B) | Depth (C) | Industry Standard | List Price | Catalog No.    | Panel Height (D) | Panel Width (E) | List Price |
| SCE-20XEL2108SSLP         | 20.00      | 21.38     | 8.00      | IS6               | 909.44     | SCE-20P20      | 17.00            | 17.00           | 35.44      |
| SCE-24XEL2108SSLP         | 24.00      | 21.38     | 8.00      | IS6               | 990.88     | SCE-24P20      | 21.00            | 17.00           | 45.57      |
| SCE-24XEL2508SSLP         | 24.00      | 25.38     | 8.00      | IS6               | 1,077.75   | SCE-24P24      | 21.00            | 21.00           | 53.18      |
| SCE-24XEL2510SSLP         | 24.00      | 25.38     | 10.00     | IS6               | 1,152.39   | SCE-24P24      | 21.00            | 21.00           | 53.18      |
| SCE-30XEL2508SSLP         | 30.00      | 25.38     | 8.00      | IS6               | 1,262.54   | SCE-30P24      | 27.00            | 21.00           | 63.29      |
| SCE-30XEL2510SSLP         | 30.00      | 25.38     | 10.00     | IS6               | 1,375.82   | SCE-30P24      | 27.00            | 21.00           | 63.29      |
| SCE-36XEL2508SSLP         | 36.00      | 25.38     | 8.00      | IS6               | 1,448.47   | SCE-36P24      | 33.00            | 21.00           | 75.96      |
| SCE-36XEL3110SSLP         | 36.00      | 31.38     | 10.00     | IS6               | 1,704.24   | SCE-36P30      | 33.00            | 27.00           | 101.27     |
| SCE-36XEL3112SSLP         | 36.00      | 31.38     | 12.00     | IS6               | 1,802.42   | SCE-36P30      | 33.00            | 27.00           | 101.27     |
| SCE-42XEL3110SSLP         | 42.00      | 31.38     | 10.00     | IS6               | 1,941.03   | SCE-42P30      | 39.00            | 27.00           | 116.47     |
| SCE-42XEL3112SSLP         | 42.00      | 31.38     | 12.00     | IS6               | 2,049.63   | SCE-42P30      | 39.00            | 27.00           | 116.47     |
| SCE-42XEL3712SSLP         | 42.00      | 37.38     | 12.00     | IS6               | 2,226.07   | SCE-42P36      | 39.00            | 33.00           | 136.72     |
| SCE-42XEL3716SSLP         | 42.00      | 37.38     | 16.00     | IS6               | 2,490.77   | SCE-42P36      | 39.00            | 33.00           | 136.72     |
| SCE-48XEL3710SSLP         | 48.00      | 37.38     | 10.00     | IS6               | 2,293.94   | SCE-48P36      | 45.00            | 33.00           | 154.46     |
| SCE-48XEL3712SSLP         | 48.00      | 37.38     | 12.00     | IS6               | 2,422.90   | SCE-48P36      | 45.00            | 33.00           | 154.46     |
| SCE-48XEL3716SSLP         | 48.00      | 37.38     | 16.00     | IS6               | 2,694.37   | SCE-48P36      | 45.00            | 33.00           | 154.46     |
| SCE-60XEL3712SSLP         | 60.00      | 37.38     | 12.00     | IS6               | 3,024.20   | SCE-60P36      | 57.00            | 33.00           | 189.89     |
| SCE-60XEL3716SSLP         | 60.00      | 37.38     | 16.00     | IS6               | 3,309.25   | SCE-60P36      | 57.00            | 33.00           | 189.89     |

*Available within 10 working days if not in stock*

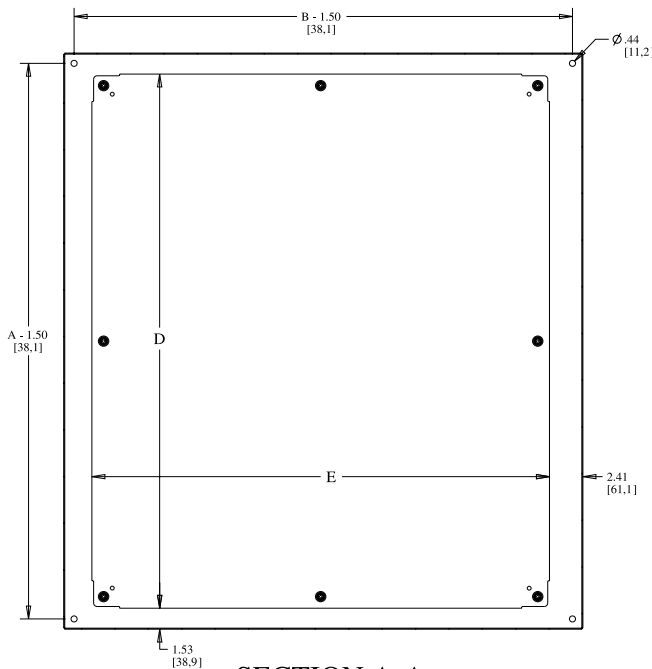
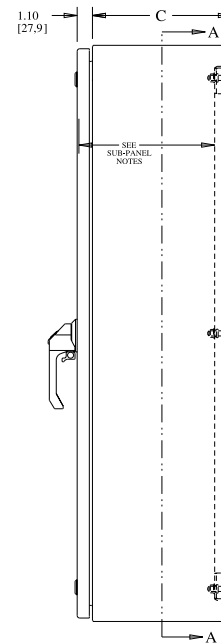
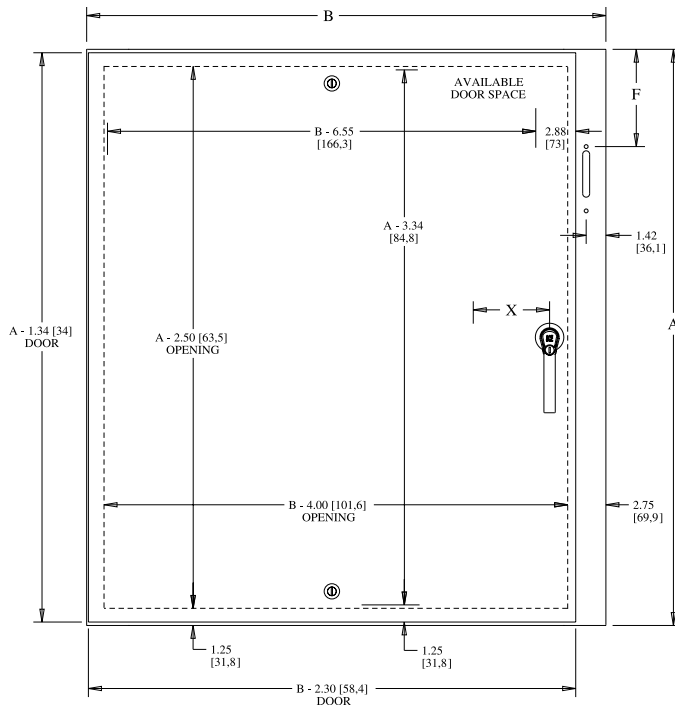


Phone (989) 799-6871  
Fax (989) 799-4524



# STAINLESS STEEL ENVIROLINE® SERIES SINGLE-DOOR ENCLOSURES FOR FLANGE-MOUNTED DISCONNECTS

## TECHNICAL DATA



**SUB-PANEL NOTES:**

Dimensions are from the inside of the door.  
 C + .32 [8.1] for flat sub-panels  
 C - .18 [4.5] for bent sub-panels

**DISCONNECT NOTES:**

F = 4.75 [121] when C = 8.00 [203]  
 F = 7.09 [180] when C = 10.00 [254]  
 F = 11.62 [295] when C = 12.00 [304]  
 F = 11.62 [295] when C = 16.00 [406]  
 F = 18.38 [467] for SCE-60XEL3712LP4

**LATCH NOTES:**

Omit center latch top and bottom of door  
 when door width is ≤ 30.00" [762]

**HANDLE NOTES:**

On enclosures ≤ 42.00 [1067]  
 X = 5.50 [140] and use 5.00 [127]  
 padlocking handle with coin-proof.  
 On enclosures > 42.00 [1067]  
 X = 6.75 [171] and use 7.00 [178]  
 padlocking handle with coin-proof.

Enclosures with a height dimension < 40.00 [1016] have a 2-point door closing mechanism.

Enclosures with a height dimension of ≥ 40.00 [1016] have a 3-point door latching mechanism.

**CONSTRUCTION NOTES:**

Door will be 0.125 [3.1] thick material  
 when enclosure height is ≥ 42.00 and  
 door width is > 24.00