

## 316 Stainless Steel Enviroline® Series Single-Door Enclosures For Flange-Mounted Disconnects

### Application -

Designed to house most standard type disconnects. For installation information, consult our Installation Manual at [www.saginawcontrol.com](http://www.saginawcontrol.com). For outdoor application a drip shield is recommended.

### Construction -

- 0.075" stainless steel Type 316/316L.
- Seams continuously welded and ground smooth.
- Flange trough collar around all sides of door opening.
- Oil-resistant gasket.
- Collar studs provided for mounting optional sub-panels.
- Holes provided in body for mounting disconnect operating handle and operating mechanism.
- Stainless steel concealed hinge.
- Doors are interchangeable and easily removed by pulling hinge pin.
- 3-point latching mechanism.
- Latches are opened or closed with screwdriver (optional tamper-resistant inserts available).
- Mounting holes in back of enclosure.
- Mounting hardware, sealing washer and hole plug included.
- Black quarter turn latches as required.
- Ground studs on door and body.
- Black zinc die cast coinproof/padlocking handle.

**Disconnect switch (or circuit breaker) and operating mechanism are not furnished with this enclosure.**

### Finish -

#4 brushed finish on all exterior surfaces. Optional sub-panels are powder coated white.

### IS6 - Industry Standards -

NEMA Type 3R, 4, 4X, 12 & Type 13  
UL Listed Type 3R, 4, 4X & 12  
CSA Type 4, 4X & 12  
IEC 60529 IP66

\*\*\*Special Instructions apply for IS3, IS4 and IS6 to maintain the environmental rating of Type 3R for these parts. See the Special Instructions on the Industry Standards page in the Technical Information Section.

## 316 STAINLESS STEEL ENVIROLINE® SERIES SINGLE-DOOR ENCLOSURES FOR FLANGE-MOUNTED DISCONNECTS

ENCLOSURE PRODUCT CODE S7						SUB-PANEL (P3)			
Catalog No.	Height (A)	Width (B)	Depth (C)	Industry Standard	List Price	Catalog No.	Panel Height (D)	Panel Width (E)	List Price
SCE-20XEL2108SS6LP	20.00	21.38	8.00	IS6	1,091.33	SCE-20P20	17.00	17.00	35.44
SCE-24XEL2108SS6LP	24.00	21.38	8.00	IS6	1,189.05	SCE-24P20	21.00	17.00	45.57
SCE-24XEL2508SS6LP	24.00	25.38	8.00	IS6	1,293.30	SCE-24P24	21.00	21.00	53.18
SCE-24XEL2510SS6LP	24.00	25.38	10.00	IS6	1,382.87	SCE-24P24	21.00	21.00	53.18
SCE-30XEL2508SS6LP	30.00	25.38	8.00	IS6	1,515.05	SCE-30P24	27.00	21.00	63.29
SCE-30XEL2510SS6LP	30.00	25.38	10.00	IS6	1,650.98	SCE-30P24	27.00	21.00	63.29
SCE-36XEL2508SS6LP	36.00	25.38	8.00	IS6	1,738.16	SCE-36P24	33.00	21.00	75.96
SCE-36XEL3110SS6LP	36.00	31.38	10.00	IS6	2,045.09	SCE-36P30	33.00	27.00	101.27
SCE-36XEL3112SS6LP	36.00	31.38	12.00	IS6	2,162.90	SCE-36P30	33.00	27.00	101.27
SCE-42XEL3110SS6LP	42.00	31.38	10.00	IS6	2,329.23	SCE-42P30	39.00	27.00	116.47
SCE-42XEL3112SS6LP	42.00	31.38	12.00	IS6	2,459.55	SCE-42P30	39.00	27.00	116.47
SCE-42XEL3712SS6LP	42.00	37.38	12.00	IS6	2,671.29	SCE-42P36	39.00	33.00	136.72
SCE-42XEL3716SS6LP	42.00	37.38	16.00	IS6	2,988.92	SCE-42P36	39.00	33.00	136.72
SCE-48XEL3710SS6LP	48.00	37.38	10.00	IS6	2,752.73	SCE-48P36	45.00	33.00	154.46
SCE-48XEL3712SS6LP	48.00	37.38	12.00	IS6	2,907.47	SCE-48P36	45.00	33.00	154.46
SCE-48XEL3716SS6LP	48.00	37.38	16.00	IS6	3,233.25	SCE-48P36	45.00	33.00	154.46
SCE-60XEL3712SS6LP	60.00	37.38	12.00	IS6	3,629.05	SCE-60P36	57.00	33.00	189.89
SCE-60XEL3716SS6LP	60.00	37.38	16.00	IS6	3,971.10	SCE-60P36	57.00	33.00	189.89

Available within 10 working days if not in stock

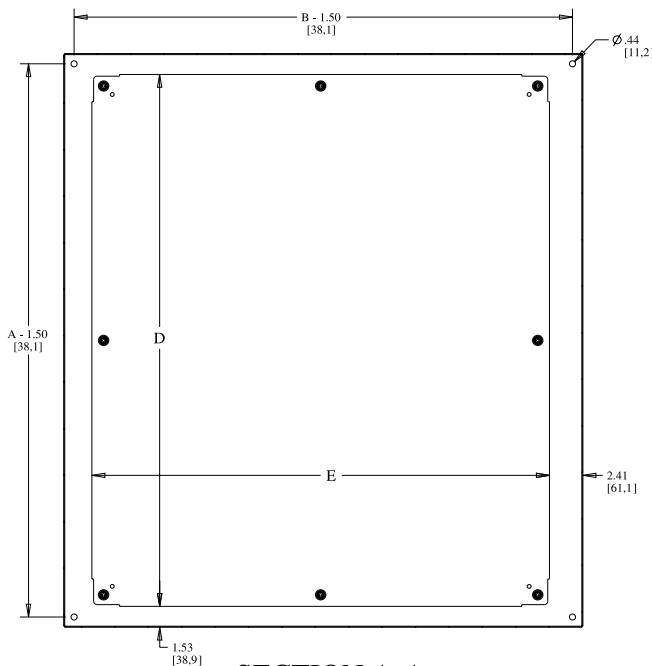
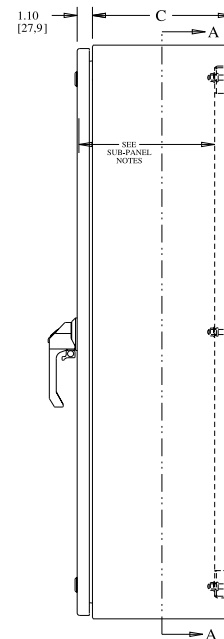
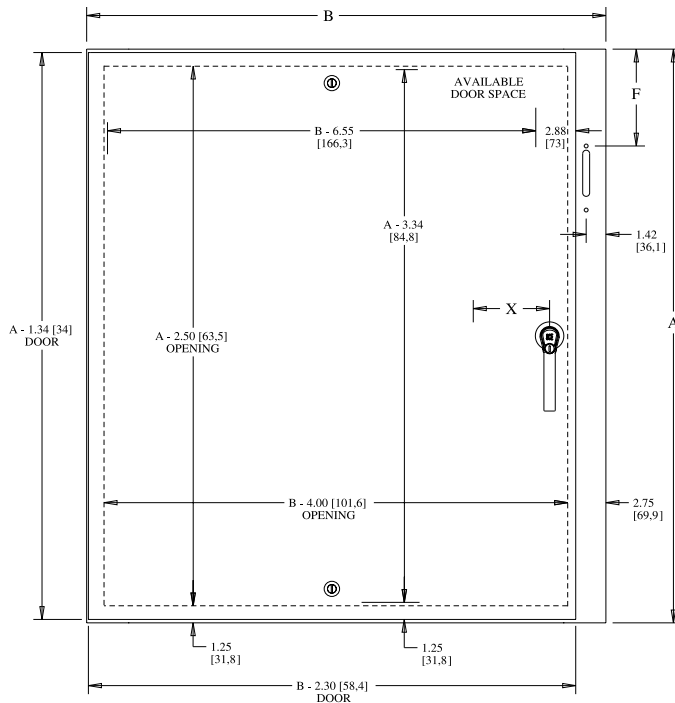


Phone (989) 799-6871  
Fax (989) 799-4524



# STAINLESS STEEL ENVIROLINE® SERIES SINGLE-DOOR ENCLOSURES FOR FLANGE-MOUNTED DISCONNECTS

## TECHNICAL DATA



SECTION A-A

**SUB-PANEL NOTES:**

Dimensions are from the inside of the door.  
 C + .32 [8,1] for flat sub-panels  
 C - .18 [4,5] for bent sub-panels

**DISCONNECT NOTES:**

F = 4.75 [121] when C = 8.00 [203]  
 F = 7.09 [180] when C = 10.00 [254]  
 F = 11.62 [295] when C = 12.00 [304]  
 F = 11.62 [295] when C = 16.00 [406]  
 F = 18.38 [467] for SCE-60XEL3712LP4

**LATCH NOTES:**

Omit center latch top and bottom of door when door width is ≤ 30.00" [762]

**HANDLE NOTES:**

On enclosures ≤ 42.00 [1067]  
 X = 5.50 [140] and use 5.00 [127] padlocking handle with coin-proof.  
 On enclosures > 42.00 [1067]  
 X = 6.75 [171] and use 7.00 [178] padlocking handle with coin-proof.

Enclosures with a height dimension < 40.00 [1016] have a 2-point door closing mechanism.

Enclosures with a height dimension of ≥ 40.00 [1016] have a 3-point door latching mechanism.

**CONSTRUCTION NOTES:**

Door will be 0.125 [3,1] thick material when enclosure height is ≥ 42.00 and door width is > 24.00