

## Stainless Steel EnviroLine® Series Wall-Mount Sloping Top Disconnect Enclosures

### Application -

Designed to house most standard type disconnects. For installation information, consult our Installation Manual at [www.saginawcontrol.com](http://www.saginawcontrol.com).

### Construction -

- 0.075" stainless steel Type 304.
- Seams continuously welded and ground smooth.
- Flange trough collar around all sides of door opening.
- 15 Degree Sloping Top.
- Stainless steel concealed hinges.
- Stainless steel coinproof/padlocking handle.
- 3-point latching mechanism.
- Removable print pocket on main door of disconnect enclosures.
- Oil & water resistant gasket.
- Mounting hardware, sealing washer and hole plug included.
- Black quarter turn latches as required.
- Ground stud on door and body.

**Disconnect switch (or circuit breaker) and operating mechanism are not furnished with this enclosure.**

### Finish -

# 4 Brushed finish on all exterior surfaces. Optional sub-panels are powder coated white.

### IS5 - Industry Standards -

NEMA Type 4, 4X, 12 & Type 13  
UL Listed Type 4, 4X & 12  
CSA Type 4, 4X & 12

## STAINLESS STEEL ENVIROLINE® SERIES WALL-MOUNT SLOPING TOP DISCONNECT ENCLOSURES

ENCLOSURE PRODUCT CODE S8						SUB-PANEL (P3)			
Catalog No.	Height (A)	Width (B)	Depth (C)	Industry Standard	List Price	Catalog No.	Panel Height (D)	Panel Width (E)	List Price
SCE-24XEL2510SSST	24.00	25.38	10.00	IS5	1,555.73	SCE-24P24	21.00	21.00	53.18
SCE-30XEL2510SSST	30.00	25.38	10.00	IS5	1,759.14	SCE-30P24	27.00	21.00	63.29
SCE-36XEL3110SSST	36.00	31.38	10.00	IS5	1,968.03	SCE-36P30	33.00	27.00	101.27
SCE-48XEL3716SSST	48.00	37.38	16.00	IS5	3,637.40	SCE-48P36	45.00	33.00	154.46
SCE-60XEL3716SSST	60.00	37.38	16.00	IS5	4,467.49	SCE-60P36	57.00	33.00	189.89

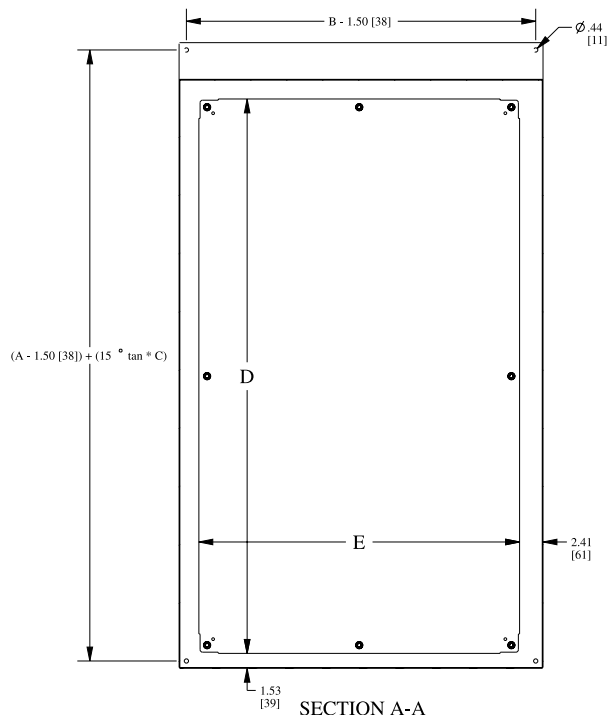
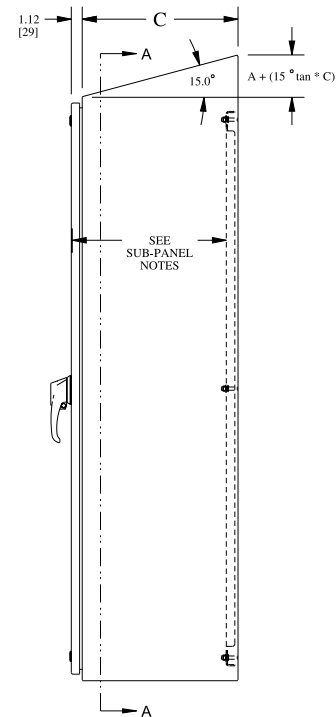
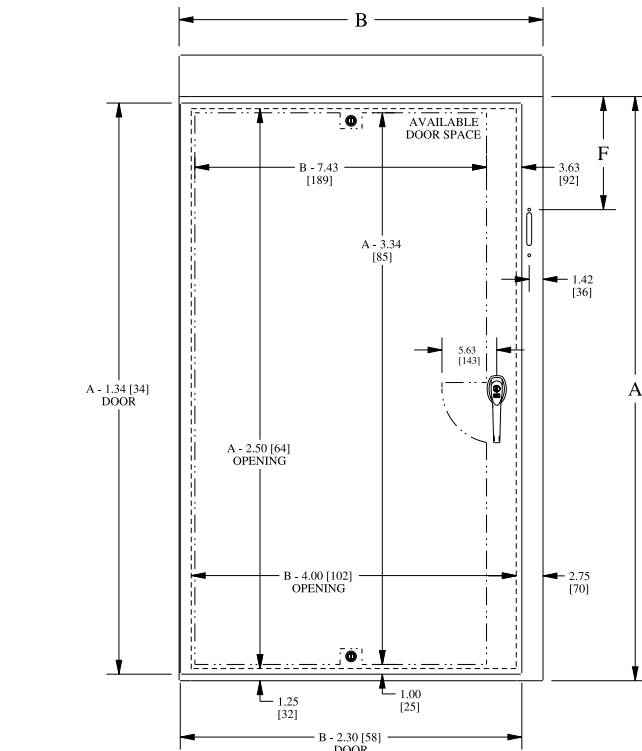


Phone (989) 799-6871  
Fax (989) 799-4524



# STAINLESS STEEL ENVIROLINE® SERIES WALL-MOUNT SLOPING TOP DISCONNECT ENCLOSURES

## TECHNICAL DATA



**SUB-PANEL NOTES:**

Dimensions are from the inside of the door  
 C + 0.32 [8] for flat sub-panels  
 C - 0.18 [5] for bent sub-panels

**DISCONNECT NOTES:**

F = 4.75 [121] when C = 8.00 [203]  
 F = 7.09 [180] when C = 10.00 [254]  
 F = 11.62 [295] when C = 12.00 [304]  
 F = 11.62 [295] when C = 16.00 [406]

**LATCH NOTES:**

Enclosures with a height dimension < 40.00 [1016] have a 2-point door latching mechanism.  
 Enclosures with a height dimension >= 40.00 [1016] have a 3-point door latching mechanism.  
 Omit center latch top and bottom of door when door width is <= 30.00" [762]