

304 & 316 Stainless Steel Clamp Fastened Enclosures For Flange-Mounted Disconnects

Application -

Designed to house most standard type disconnects. For installation information, consult our Installation Manual at www.saginawcontrol.com. For outdoor application a drip shield is recommended.

Construction -

- 0.075" stainless steel Type 304 & 316/316L.
- Seams continuously welded and ground smooth.
- Stainless steel continuous hinge.
- Flange trough collar around all sides of door opening.
- Interior print pocket.
- Oil-resistant door gasket.
- Ground studs on door and body.
- Disconnect cutout provided on flange.
- Stainless steel clamps.
- No door stiffeners required.
- Collar studs provided for mounting optional sub-panels.

Disconnect switch (or circuit breaker) and operating mechanism are not furnished with this enclosure.

Finish -

#4 brushed finish on all exterior surfaces. Optional sub-panels are powder coated white.

IS5 - Industry Standards -

NEMA Type 4, 4X, 12 & Type 13
UL Listed Type 4, 4X & 12
CSA Type 4, 4X & 12
IEC 60529 IP66

304 STAINLESS STEEL CLAMP FASTENED ENCLOSURES FOR FLANGE-MOUNTED DISCONNECTS

ENCLOSURE PRODUCT CODE S3						SUB-PANEL (P3)			
Catalog No.	Height (A)	Width (B)	Depth (C)	Industry Standard	List Price	Catalog No.	Panel Height (D)	Panel Width (E)	List Price
SCE-24HS2108SSLP	24.00	21.38	8.00	IS5	1,115.76	SCE-24P20	21.00	17.00	45.57
SCE-24HS2508SSLP	24.00	25.38	8.00	IS5	1,227.06	SCE-24P24	21.00	21.00	53.18
SCE-30HS2508SSLP	30.00	25.38	8.00	IS5	1,392.66	SCE-30P24	27.00	21.00	63.29
SCE-36HS2508SSLP	36.00	25.38	8.00	IS5	1,558.25	SCE-36P24	33.00	21.00	75.96
SCE-36HS3108SSLP	36.00	31.38	8.00	IS5	1,786.29	SCE-36P30	33.00	27.00	101.27
SCE-42HS3112SSLP	42.00	31.38	12.00	IS5	2,236.93	SCE-42P30	39.00	27.00	116.47
SCE-42HS3712SSLP	42.00	37.38	12.00	IS5	2,513.83	SCE-42P36	39.00	33.00	136.72
SCE-48HS3712SSLP	48.00	37.38	12.00	IS5	2,763.60	SCE-48P36	45.00	33.00	154.46
SCE-60HS3712SSLP	60.00	37.38	12.00	IS5	3,265.81	SCE-60P36	57.00	33.00	189.89

316 STAINLESS STEEL ENCLOSURES FOR FLANGE-MOUNTED DISCONNECTS

ENCLOSURE PRODUCT CODE S7						SUB-PANEL (P3)			
Catalog No.	Height (A)	Width (B)	Depth (C)	Industry Standard	List Price	Catalog No.	Panel Height (D)	Panel Width (E)	List Price
SCE-24HS2108SS6LP	24.00	21.38	8.00	IS5	1,338.91	SCE-24P20	21.00	17.00	45.57
SCE-24HS2508SS6LP	24.00	25.38	8.00	IS5	1,472.47	SCE-24P24	21.00	21.00	53.18
SCE-30HS2508SS6LP	30.00	25.38	8.00	IS5	1,671.19	SCE-30P24	27.00	21.00	63.29
SCE-36HS2508SS6LP	36.00	25.38	8.00	IS5	1,869.90	SCE-36P24	33.00	21.00	75.96
SCE-36HS3108SS6LP	36.00	31.38	8.00	IS5	2,143.55	SCE-36P30	33.00	27.00	101.27
SCE-42HS3112SS6LP	42.00	31.38	12.00	IS5	2,684.32	SCE-42P30	39.00	27.00	116.47
SCE-42HS3712SS6LP	42.00	37.38	12.00	IS5	3,016.60	SCE-42P36	39.00	33.00	136.72
SCE-48HS3712SS6LP	48.00	37.38	12.00	IS5	3,316.32	SCE-48P36	45.00	33.00	154.46
SCE-60HS3712SS6LP	60.00	37.38	12.00	IS5	3,918.98	SCE-60P36	57.00	33.00	189.89

Available within 10 working days if not in stock

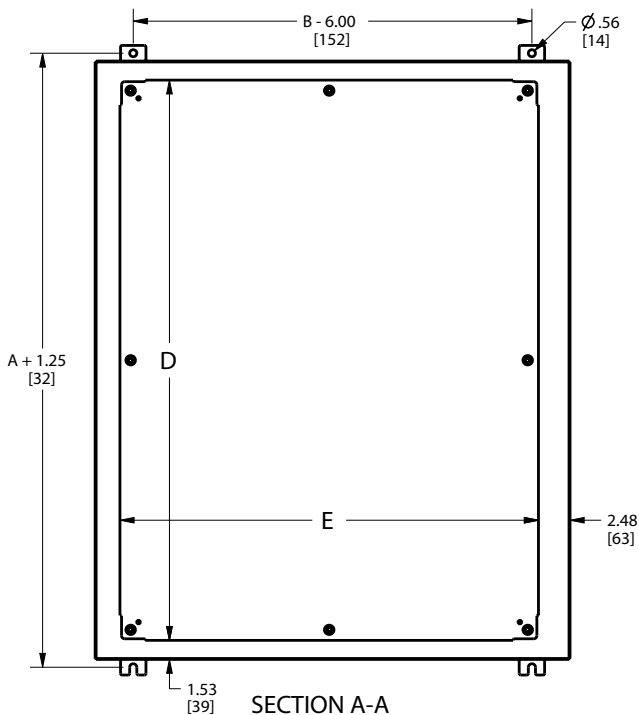
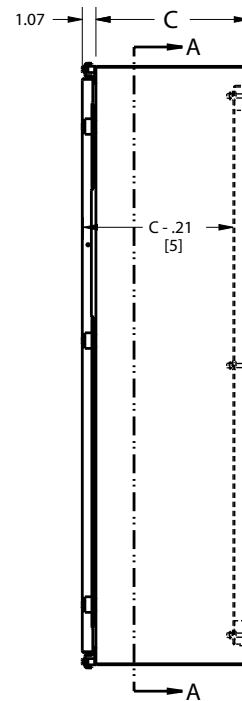
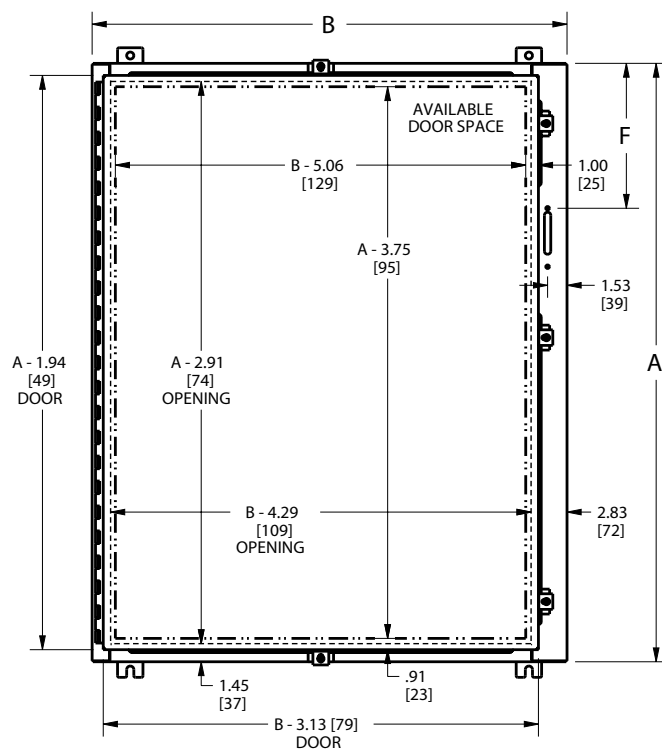


Phone (989) 799-6871
Fax (989) 799-4524



STAINLESS STEEL CLAMP FASTENED ENCLOSURES FOR FLANGE-MOUNTED DISCONNECTS

TECHNICAL DATA



DISCONNECT NOTES:
 F = 8.63 [219] when C = 8.00 [203]
 F = 11.63 [295] when C = 12.00 [304]

CLAMPING NOTES:
 Enclosures < 27.00 [686] in height require two clamps on door.
 Enclosures ≥ 27.00 [686] in height require three clamps on door.
 Omit center clamps top and bottom of door when door width is ≤ 30.00 [762]