

Fiberglass Pushbutton Enclosures

Application -

Designed for indoor or outdoor use to house pushbuttons, switches, and pilot lights in areas that may be regularly hosed down, are in very wet conditions, or are exposed to corrosive agents. Provides protection from dust, dirt, oil and water.

Construction -

- Fiberglass reinforced compression molded polyester.
- Continuous memory retaining gasket.
- Hole diameter is 1.20" (30.5 mm).

Finish -

Light gray fiberglass.

IS5 - Industry Standards -

NEMA Type 4, 4X, 12 & Type 13
 UL Listed Type 4, 4X & 12
 CSA Type 4, 4X & 12
 IEC 60529 IP 66

FIBERGLASS PUSHBUTTON ENCLOSURES

ENCLOSURE PRODUCT CODE F1						
Catalog No.	Height (A)	Width (B)	Depth (C)	Mounting (G)	Mounting (H)	Industry Standard
SCE-1PBFG	6.63	3.81	3.89	4.88	2.94	IS5
SCE-2PBFG	6.63	3.81	3.89	4.88	2.94	IS5
SCE-3PBFG	8.88	3.81	3.89	7.13	2.94	IS5

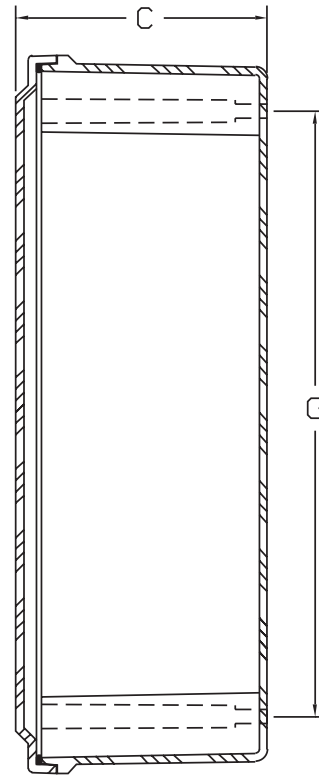
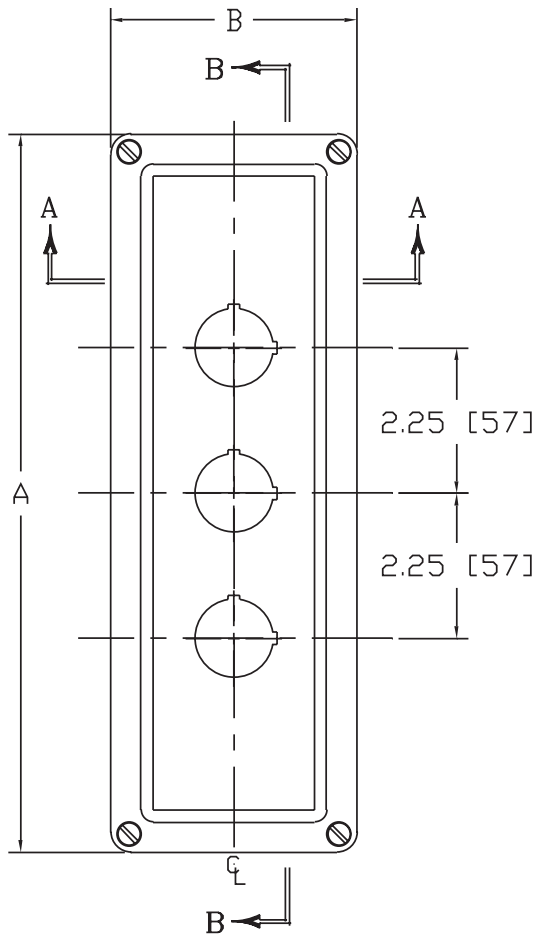


Phone (989) 799-6871
 Fax (989) 799-4524

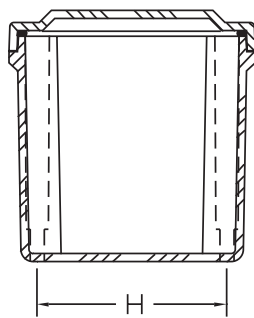


FIBERGLASS PUSHBUTTON ENCLOSURES

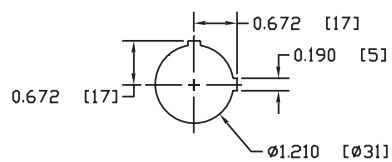
TECHNICAL DATA



SECTION B-B



SECTION A-A



DETAIL A