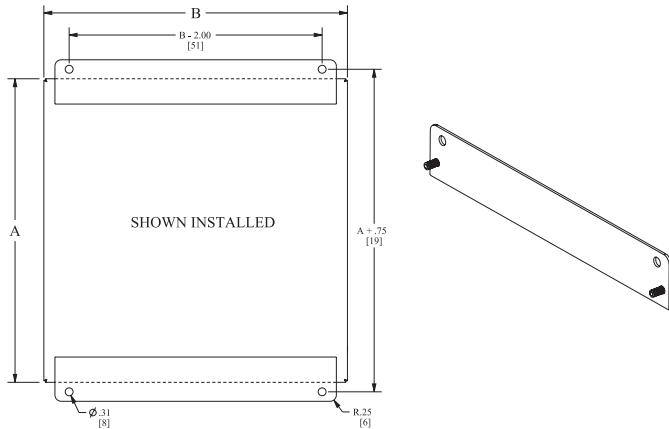
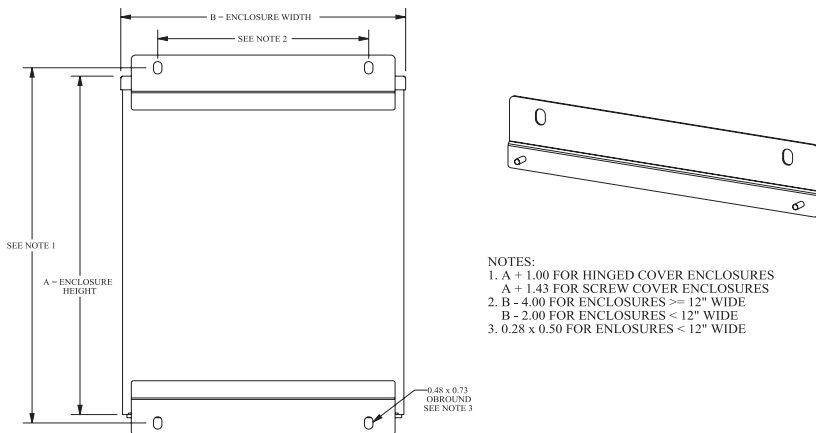


Catalog No.	For Use With	Product Code	List Price
SCE-NMST6	6 Inch Wide NEMA 1 Enclosure	P2	15.98
SCE-NMST8	8 Inch Wide NEMA 1 Enclosure	P2	17.04
SCE-NMST10	10 Inch Wide NEMA 1 Enclosure	P2	18.10
SCE-NMST12	12 Inch Wide NEMA 1 Enclosure	P2	19.17
SCE-NMST16	16 Inch Wide NEMA 1 Enclosure	P2	21.30
SCE-NMST20	20 Inch Wide NEMA 1 Enclosure	P2	23.42
SCE-NMST24	24 Inch Wide NEMA 1 Enclosure	P2	25.56



Catalog No.	For Use With	Product Code	List Price
SCE-MST4	4 Inch Wide 3R Enclosure	P2	17.04
SCE-MST6	6 Inch Wide 3R Enclosure	P2	18.10
SCE-MST8	8 Inch Wide 3R Enclosure	P2	19.17
SCE-MST10	10 Inch Wide 3R Enclosure	P2	20.24
SCE-MST12	12 Inch Wide 3R Enclosure	P2	21.30
SCE-MST16	16 Inch Wide 3R Enclosure	P2	23.42
SCE-MST20	20 Inch Wide 3R Enclosure	P2	25.56
SCE-MST24	24 Inch Wide 3R Enclosure	P2	27.69



Catalog No.	For Use With	Product Code	List Price
SCE-VRMS24	24 Inch Wide Vented 3R Enclosure	P2	42.67
SCE-VRMS36	36 Inch Wide Vented 3R Enclosure	P2	53.21

MOUNTING OPTIONS

Type 1 Mounting Straps

Designed to install on wall-mount Type 1 enclosures. Two mounting straps per kit. Made of heavy gauge carbon steel, powder coated ANSI-61 gray. Hardware is included to fasten mounting strap kit to the enclosure. For installation information, consult our Installation Manual at www.saginawcontrol.com.

Provided with UL Recognized sealing washer to maintain Environmental Rating of the enclosure.

Type 3R Mounting Straps

Designed to install on wall-mount Type 3R enclosures. Two mounting straps per kit. Made of heavy gauge carbon steel, powder coated ANSI-61 gray. Hardware is included to fasten mounting strap kit to the enclosure. For installation information, consult our Installation Manual at www.saginawcontrol.com.

Provided with UL Recognized sealing washer to maintain Environmental Rating of the enclosure.

Mounting Straps For Vented 3R Enclosures

Designed to install on wall-mount Vented 3R enclosures. Two mounting straps per kit. Made of heavy gauge carbon steel, powder coated white. Hardware is included to fasten mounting strap kit to the enclosure.

Provided with UL Recognized sealing washer to maintain Environmental Rating of the enclosure.