

30.5 mm Pushbutton Enclosures

Application -

Designed to offer protection for oil-tight pushbuttons, switches, and pilot lights from dust, water, dirt and oil. For installation information, consult our Installation Manual at www.saginawcontrol.com.

Construction -

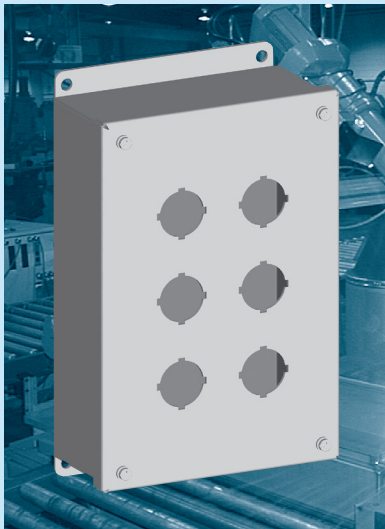
- 0.063" carbon steel.
- Continuously welded seams.
- Captivated cover screws thread into sealed wells.
- 4-way pushbutton holes accept all brands of oil-tight pushbuttons, switches and pilot lights. Hole diameter is 1.20" (30.5 mm).
- Immediate removal of cover is permitted.
- Oil-resistant gasket.

Finish -

ANSI-61 gray powder coated inside and out.

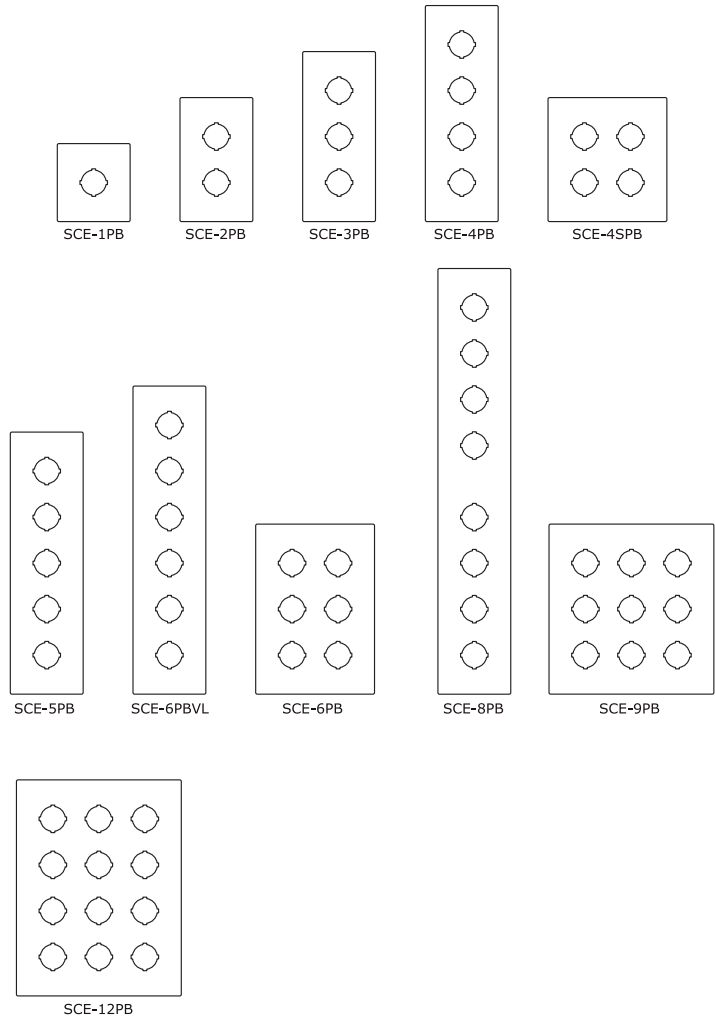
IS2 - Industry Standards -

- NEMA Type 4, 12 & Type 13
- UL Listed Type 4 & 12
- CSA Type 4 & 12
- IEC 60529 IP66



30.5 mm PUSHBUTTON ENCLOSURES

| ENCLOSURE PRODUCT CODE A1 | | | | | |
|---------------------------|------------|-----------|-----------|-------------------|------------|
| Catalog No. | Height (A) | Width (B) | Depth (C) | Industry Standard | List Price |
| SCE-1PB | 3.50 | 3.25 | 2.00 | IS2 | 43.90 |
| SCE-2PB | 5.75 | 3.25 | 2.75 | IS2 | 50.17 |
| SCE-3PB | 8.00 | 3.25 | 2.75 | IS2 | 56.43 |
| SCE-4PB | 10.25 | 3.25 | 2.75 | IS2 | 62.70 |
| SCE-4SPB | 7.25 | 6.25 | 3.00 | IS2 | 70.23 |
| SCE-5PB | 12.50 | 3.25 | 2.75 | IS2 | 68.98 |
| SCE-6PB | 9.50 | 6.25 | 3.00 | IS2 | 80.26 |
| SCE-6PBVL | 14.75 | 3.25 | 2.75 | IS2 | 75.24 |
| SCE-8PB | 20.25 | 3.25 | 2.75 | IS2 | 90.29 |
| SCE-9PB | 9.50 | 8.50 | 3.00 | IS2 | 92.80 |
| SCE-12PB | 11.75 | 8.50 | 3.00 | IS2 | 104.08 |

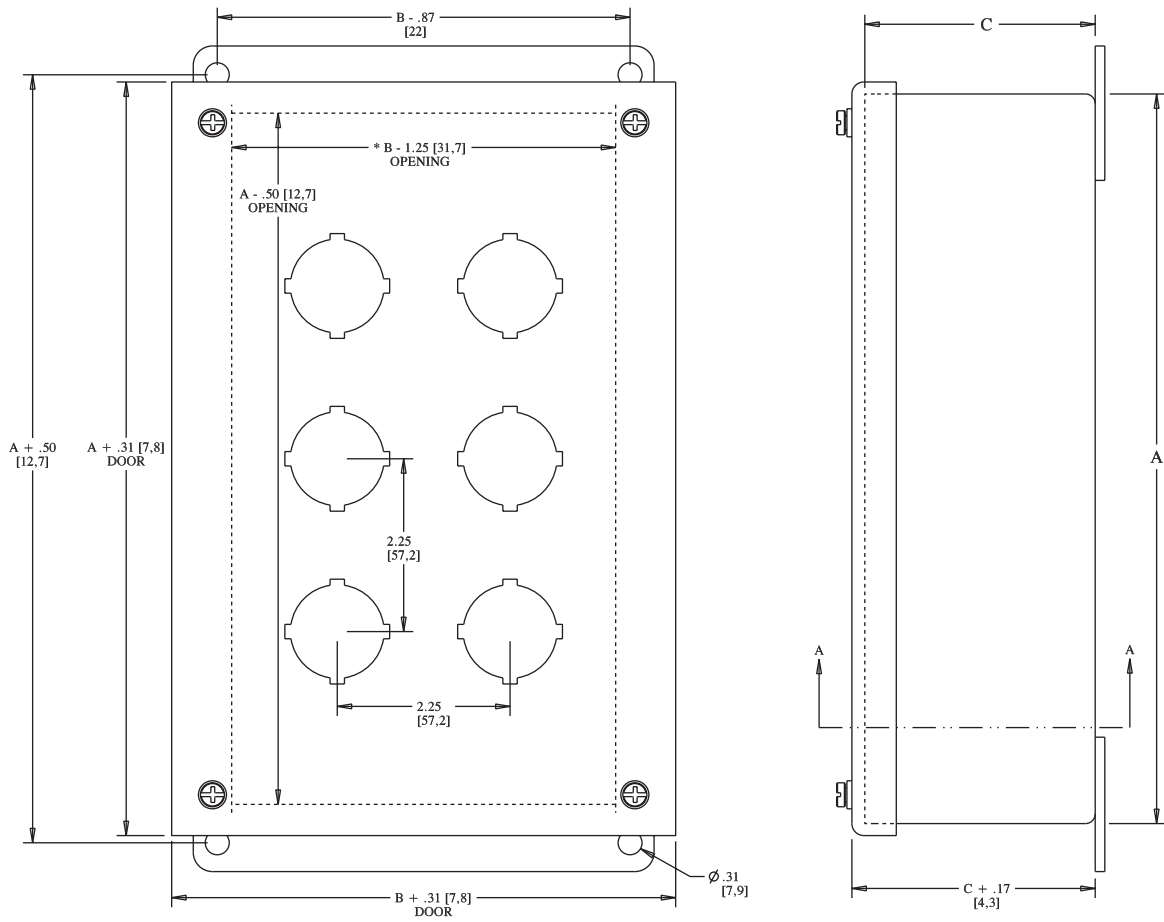


Phone (989) 799-6871
Fax (989) 799-4524

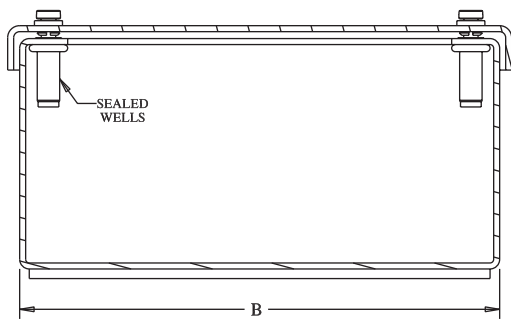


30.5 mm PUSHBUTTON ENCLOSURES

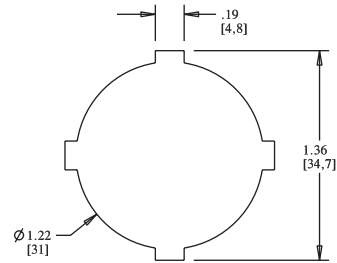
TECHNICAL DATA



NOTE:
 * B - .50 [12.7] ONE COLUMN OF PUSHBUTTONS



SECTION A-A



STANDARD 4-WAY