

Extra Deep 30.5 mm Pushbutton Enclosures

Application -

Designed to offer protection for oil-tight pushbuttons, switches, and pilot lights from dust, water, dirt and oil. For installation information, consult our Installation Manual at www.saginawcontrol.com.

Construction -

- 0.063" carbon steel.
- Continuously welded seams.
- Captivated cover screws thread into sealed wells.
- 4-way pushbutton holes accept all brands of oil-tight pushbuttons, switches and pilot lights. Hole diameter is 1.20" (30.5 mm).
- Immediate removal of cover is permitted.
- Oil-resistant gasket.

Finish -

ANSI-61 gray powder coated inside and out.

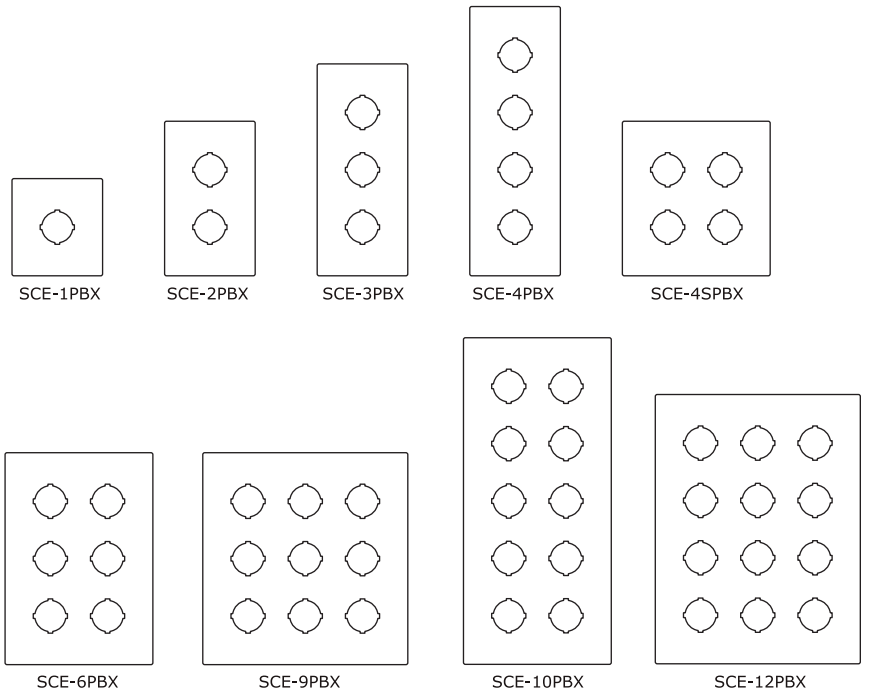
IS2 - Industry Standards -

NEMA Type 4, 12 & Type 13
 UL Listed Type 4 & 12
 CSA Type 4 & 12
 IEC 60529 IP66



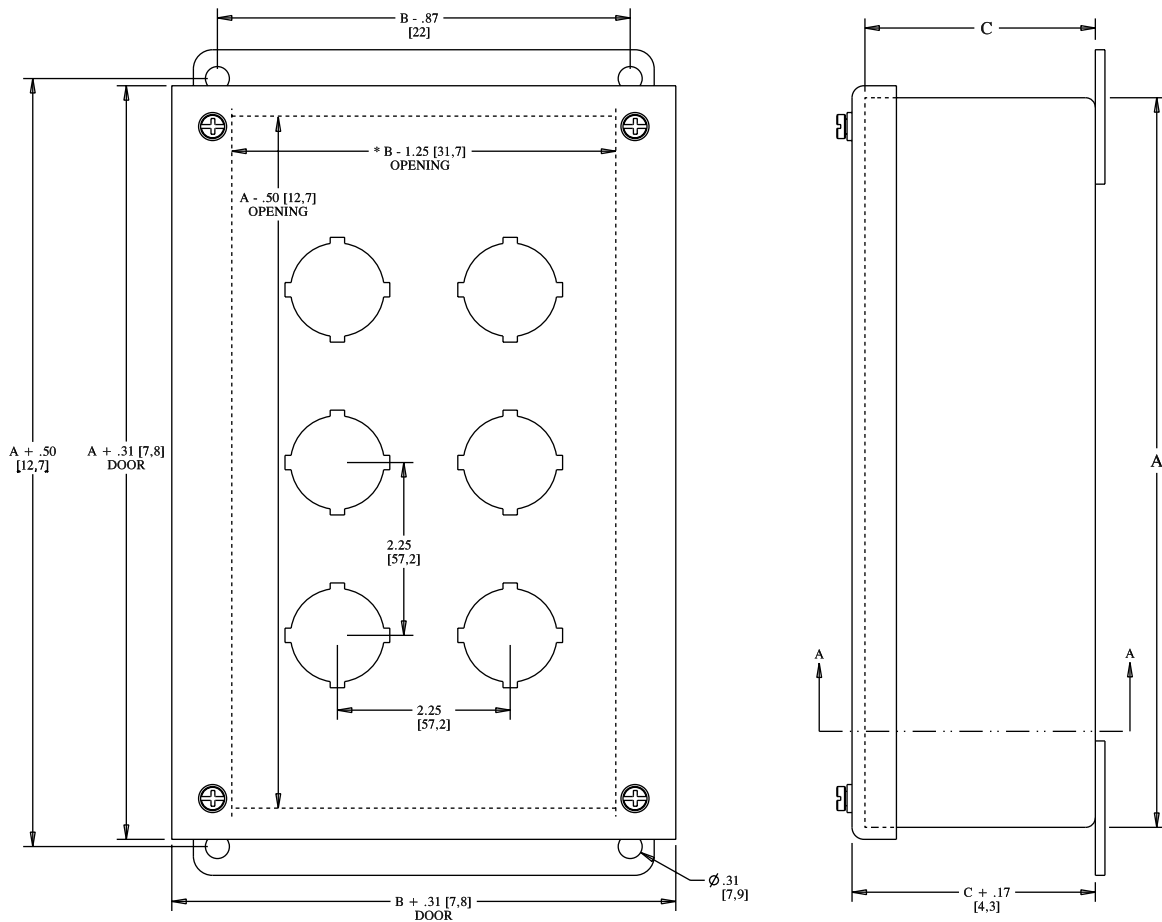
EXTRA DEEP 30.5 mm PUSHBUTTON ENCLOSURES

| ENCLOSURES PRODUCT CODE A1 | | | | | |
|----------------------------|------------|-----------|-----------|-------------------|------------|
| Catalog No. | Height (A) | Width (B) | Depth (C) | Industry Standard | List Price |
| SCE-1PBX | 4.00 | 4.00 | 4.75 | IS2 | 56.43 |
| SCE-2PBX | 6.00 | 4.00 | 4.75 | IS2 | 65.22 |
| SCE-3PBX | 8.00 | 4.00 | 4.75 | IS2 | 73.99 |
| SCE-4PBX | 10.00 | 4.00 | 4.75 | IS2 | 81.51 |
| SCE-4SPBX | 7.25 | 6.25 | 4.75 | IS2 | 82.76 |
| SCE-6PBX | 9.50 | 6.25 | 4.75 | IS2 | 95.31 |
| SCE-9PBX | 9.50 | 8.50 | 4.75 | IS2 | 107.85 |
| SCE-10PBX | 14.00 | 6.25 | 4.75 | IS2 | 117.88 |
| SCE-12PBX | 11.75 | 8.50 | 4.75 | IS2 | 124.15 |

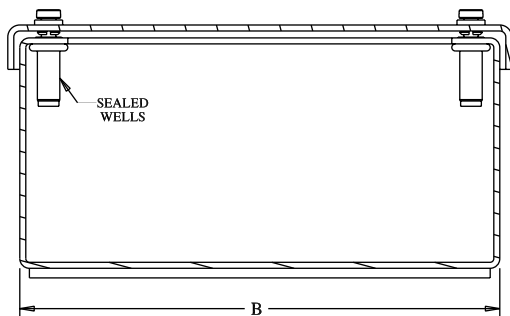


EXTRA DEEP 30.5 mm PUSHBUTTON ENCLOSURES

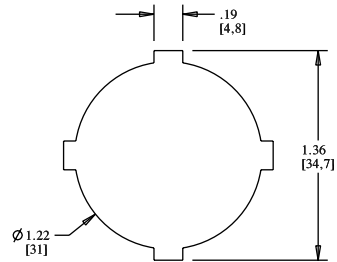
TECHNICAL DATA



NOTE:
* B - .50 [12,7] ONE COLUMN OF PUSHBUTTONS



SECTION A-A



STANDARD 4-WAY