

## Extra Large 30.5 mm Hinged Pushbutton Enclosures

### Application -

Designed to offer protection for oil-tight pushbuttons, switches, and pilot lights from dust, water, dirt and oil. For installation information, consult our Installation Manual at [www.saginawcontrol.com](http://www.saginawcontrol.com).

### Construction -

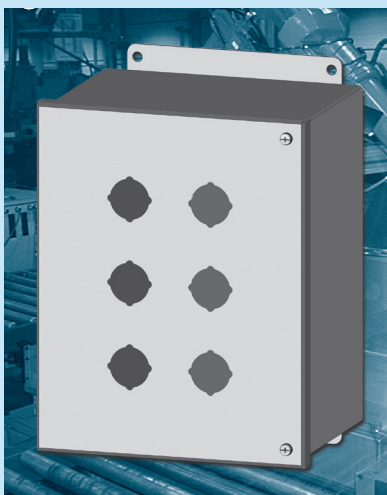
- 0.063" carbon steel.
- Continuously welded seams.
- Captivated cover screws thread into sealed wells.
- 4-way pushbutton holes accept all brands of oil-tight push-buttons, switches and pilot lights. Hole diameter is 1.20" (30.5 mm).
- Oil-resistant gasket.
- Provisions for sub-panel.
- Ground stud on door.
- Cover attached with continuous hinge.

### Finish -

ANSI-61 gray powder coated inside and out. Optional sub-panels are powder coated white.

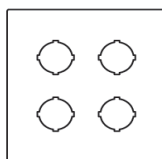
### IS2 - Industry Standards -

- NEMA Type 4, 12 and Type 13
- UL Listed Type 4 and 12
- CSA Type 4 and 12
- IEC 60529 IP 66

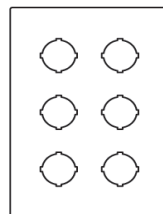


## EXTRA LARGE 30.5 mm HINGED PUSHBUTTON ENCLOSURES

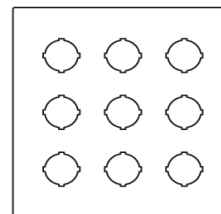
ENCLOSURE PRODUCT CODE A1						SUB-PANEL (P3)	
Catalog No.	Height (A)	Width (B)	Depth (C)	Industry Standard	List Price	Catalog No.	List Price
SCE-4SPBH	8.00	8.00	6.00	IS2	107.08	SCE-8P8	4.89
SCE-6PBH	10.00	8.00	6.00	IS2	122.63	SCE-10P8	5.70
SCE-9PBH	10.00	10.00	6.00	IS2	142.99	SCE-10P10	6.73
SCE-12PBH	12.00	10.00	6.00	IS2	162.14	SCE-12P10	7.72
SCE-16PBH	12.00	12.00	6.00	IS2	184.70	SCE-12P12	9.08
SCE-20PBH	16.00	12.00	6.00	IS2	287.54	SCE-16PB12	13.84



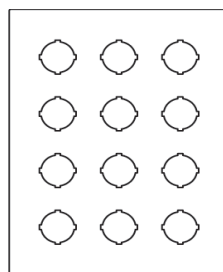
SCE-4SPBH



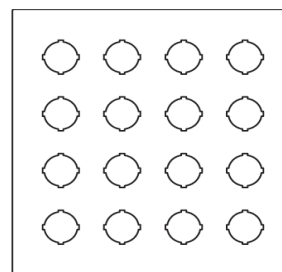
SCE-6PBH



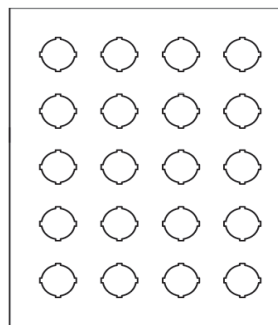
SCE-9PBH



SCE-12PBH



SCE-16PBH

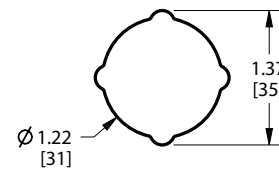
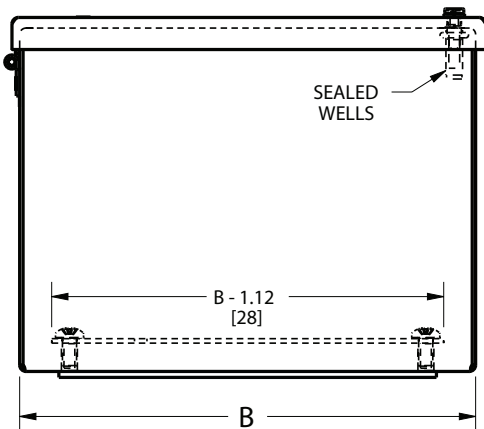
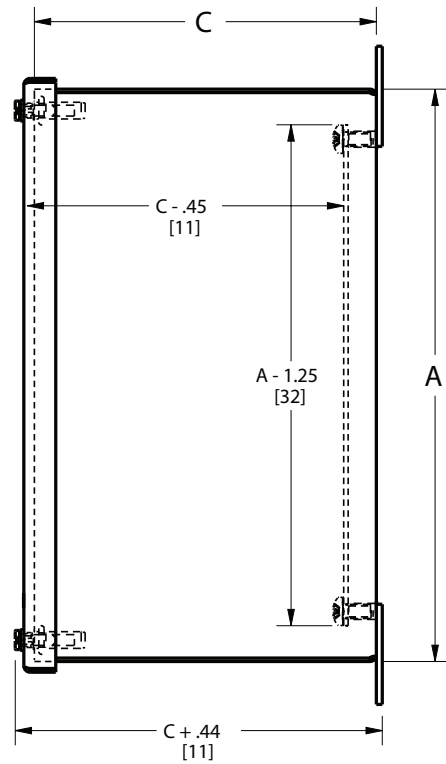
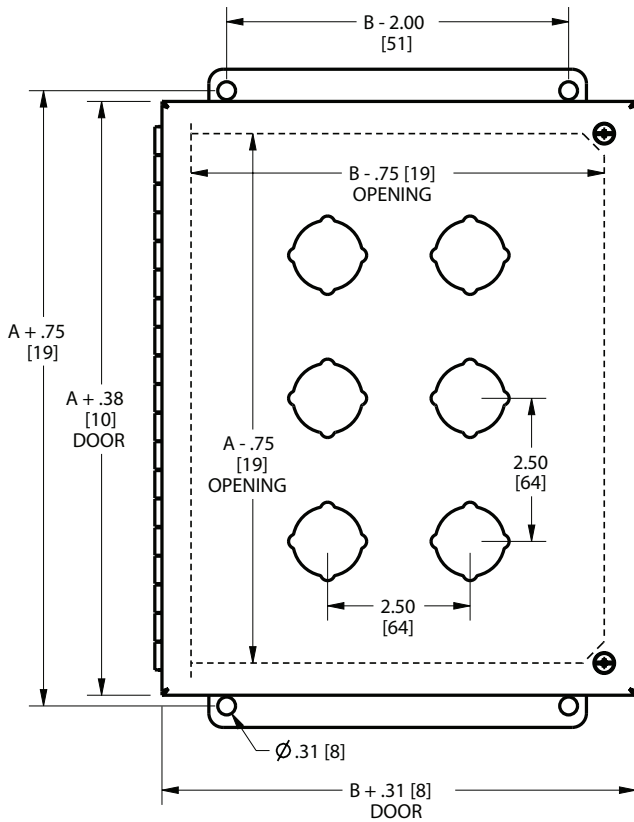


SCE-20PBH

Phone (989) 799-6871  
Fax (989) 799-4524



# EXTRA LARGE 30.5 mm HINGED PUSHBUTTON ENCLOSURES TECHNICAL DATA



STANDARD 4-WAY