

Sloping Front 30.5 mm Pushbutton Enclosures

Application -

Designed to offer protection for all standard brands of oil-tight pushbuttons, switches, and pilot lights where slanted surfaces are desired. It offers protection from dust, dirt, oil and water. For installation information, consult our Installation Manual at www.saginawcontrol.com.

Construction -

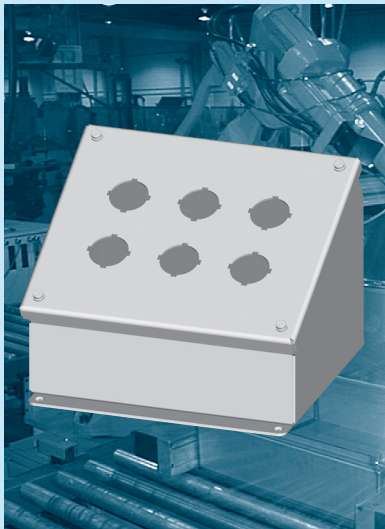
- 0.063" carbon steel.
- Continuously welded seams.
- Captivated cover screws thread into sealed wells.
- 4-way pushbutton holes accept all brands of oil-tight push-buttons, switches and pilot lights. Hole diameter is 1.20" (30.5 mm).
- Immediate removal of cover is permitted.
- Oil-resistant gasket.

Finish -

ANSI-61 gray powder coated inside and out.

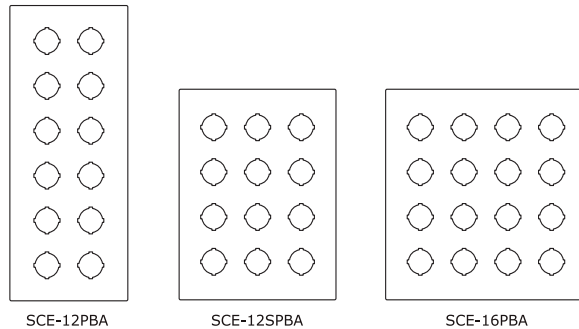
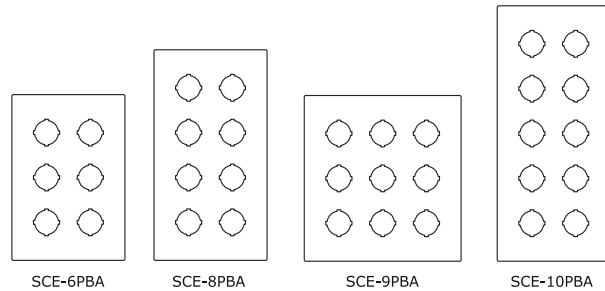
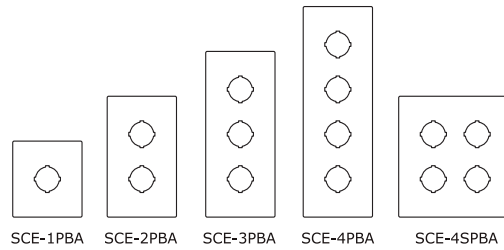
IS2 - Industry Standards -

NEMA Type 4, 12 & Type 13
 UL Listed Type 4 & 12
 CSA Type 4 & 12
 IEC 60529 IP66



SLOPING FRONT 30.5 mm PUSHBUTTON ENCLOSURES

ENCLOSURE PRODUCT CODE A1						
Catalog No.	Height (A)	Width (B)	Depth (C)	Depth (D)	Industry Standard	List Price
SCE-1PBA	3.50	3.25	4.84	3.53	IS2	65.22
SCE-2PBA	3.50	5.50	4.84	3.53	IS2	75.24
SCE-3PBA	3.50	7.75	4.84	3.53	IS2	85.28
SCE-4PBA	3.50	10.00	4.84	3.53	IS2	96.56
SCE-4SPBA	7.25	6.25	6.75	6.78	IS2	107.85
SCE-6PBA	7.25	8.50	6.75	6.78	IS2	125.41
SCE-8PBA	7.25	10.75	6.75	6.78	IS2	141.70
SCE-9PBA	9.50	8.50	7.88	8.73	IS2	147.97
SCE-10PBA	7.25	13.00	6.75	6.78	IS2	158.02
SCE-12PBA	7.25	15.25	6.75	6.78	IS2	171.82
SCE-12SPBA	11.75	8.50	9.00	10.69	IS2	164.28
SCE-16PBA	11.75	10.75	9.00	10.69	IS2	183.10

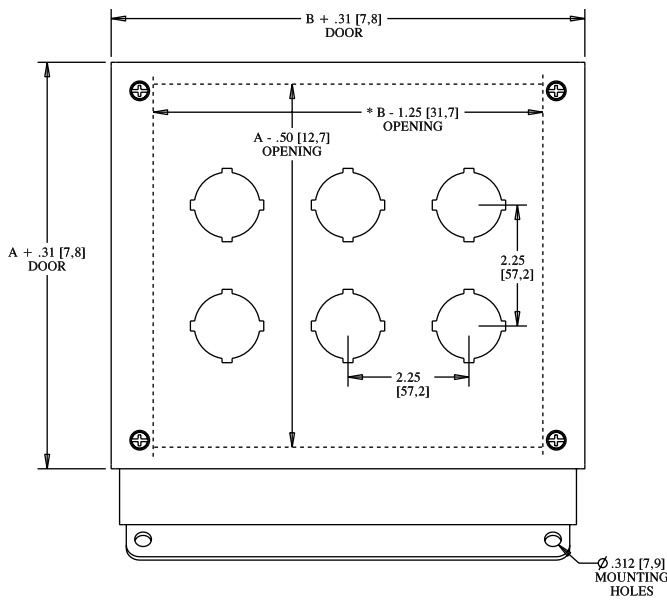
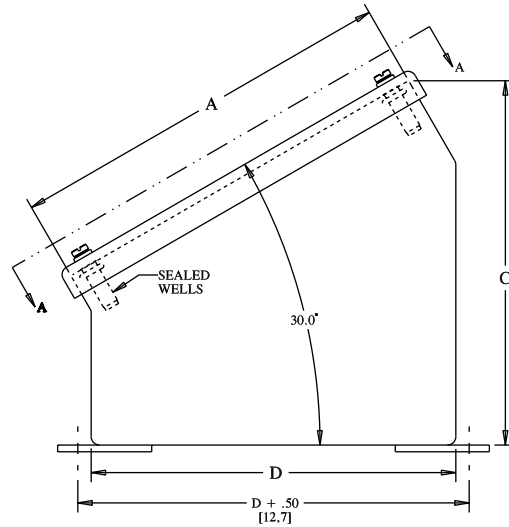
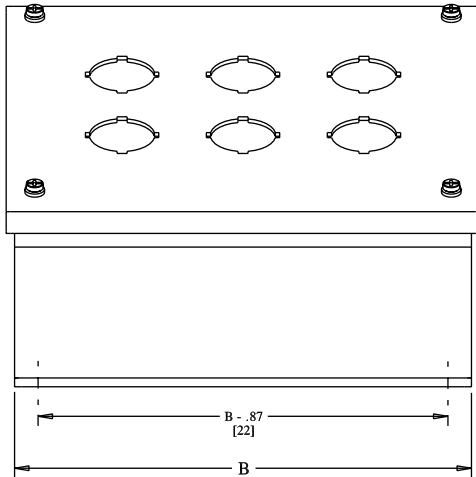


Phone (989) 799-6871
 Fax (989) 799-4524



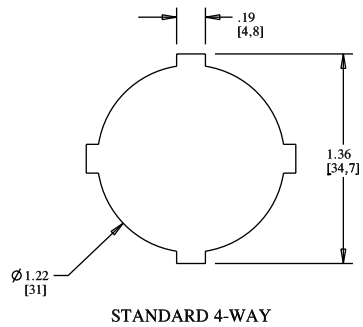
SLOPING FRONT 30.5 mm PUSHBUTTON ENCLOSURES

TECHNICAL DATA



VIEW A-A

NOTE:
* B - .50 [12.7] ONE COLUMN OF PUSHBUTTONS



STANDARD 4-WAY