

## Sloping Front 22.5 mm Pushbutton Enclosures

### Application -

Designed to offer protection for oil-tight pushbuttons, switches, and pilot lights from dust, water, dirt and oil. For installation information, consult our Installation Manual at [www.saginawcontrol.com](http://www.saginawcontrol.com).

### Construction -

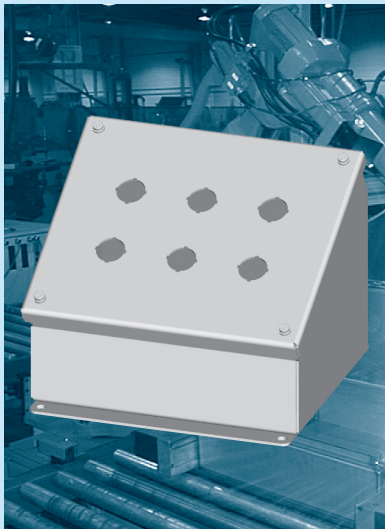
- 0.063" carbon steel.
- Continuously welded seams.
- Captivated cover screws thread into sealed wells.
- 4-way pushbutton holes accept all brands of oil-tight push-buttons, switches and pilot lights. Hole diameter is 0.87" (22.5 mm).
- Immediate removal of cover is permitted.
- Oil-resistant gasket.

### Finish -

ANSI-61 gray powder coated inside and out.

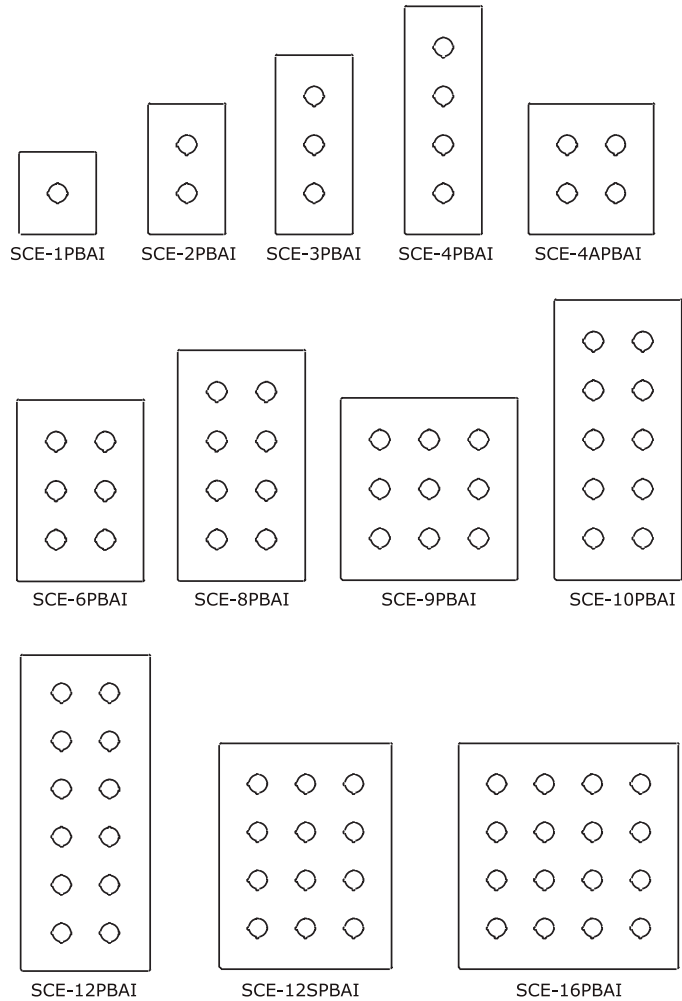
### IS2 - Industry Standards -

- NEMA Type 4, 12 & Type 13
- UL Listed Type 4 & 12
- CSA Type 4 & 12
- IEC 60529 IP66



## SLOPING FRONT 22.5 mm PUSHBUTTON ENCLOSURES

ENCLOSURE PRODUCT CODE A1						
Catalog No.	Height (A)	Width (B)	Depth (C)	Depth (D)	Industry Standard	List Price
SCE-1PBAI	3.50	3.25	4.84	3.53	IS2	65.22
SCE-2PBAI	3.50	5.50	4.84	3.53	IS2	75.24
SCE-3PBAI	3.50	7.75	4.84	3.53	IS2	85.28
SCE-4PBAI	3.50	10.00	4.84	3.53	IS2	96.56
SCE-4SPBAI	7.25	6.25	6.75	6.78	IS2	107.85
SCE-6PBAI	7.25	8.50	6.75	6.78	IS2	125.41
SCE-8PBAI	7.25	10.75	6.75	6.78	IS2	141.70
SCE-9PBAI	9.50	8.50	7.88	8.73	IS2	147.97
SCE-10PBAI	7.25	13.00	6.75	6.78	IS2	158.02
SCE-12PBAI	7.25	15.25	6.75	6.78	IS2	171.82
SCE-12SPBAI	11.75	8.50	9.00	10.69	IS2	164.28
SCE-16PBAI	11.75	10.75	9.00	10.69	IS2	183.10

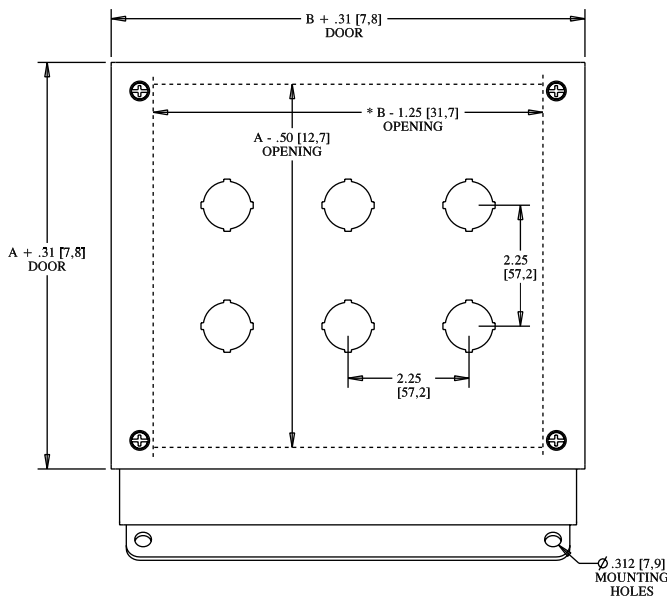
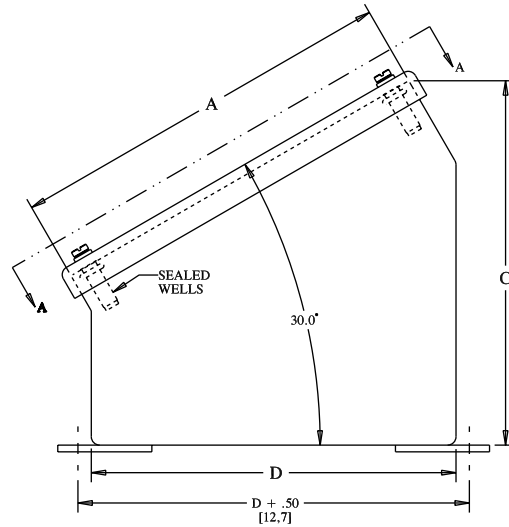
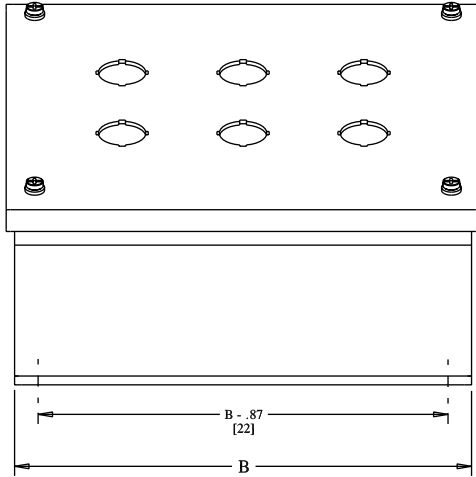


Phone (989) 799-6871  
Fax (989) 799-4524



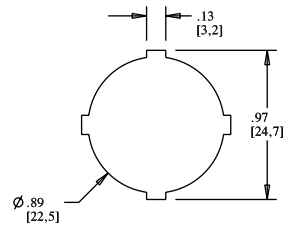
# SLOPING FRONT 22.5 mm PUSHBUTTON ENCLOSURES

## TECHNICAL DATA



VIEW A-A

NOTE:  
\*  $B - .50$  [12,7] ONE COLUMN OF PUSHBUTTONS



STANDARD 4-WAY