

Enviroline® Series Junction Enclosures with Viewing Window

Application -

Designed to house electrical controls, instruments and components that require unrestricted viewing of the gauges or controls, in areas which may be regularly hosed down or are in very wet or oily conditions. Provides protection from dust, dirt, oil, and water. For installation information, consult our Installation Manual at www.saginawcontrol.com.

Construction -

- 0.063" carbon steel.
- Seams continuously welded and ground smooth.
- Flange trough collar around all sides of door opening.
- Oil-resistant gasket.
- 0.25" polycarbonate viewing window.
- Standoffs provided for mounting optional panels.
- Removable hinge.
- Doors open 180 degrees.
- Black mini quarter turn latches.
- Latches are opened or closed with a screwdriver.
- Sealing washers and hole plugs included.
- Ground stud on door & body.
- Mounting feet are included.

Finish -

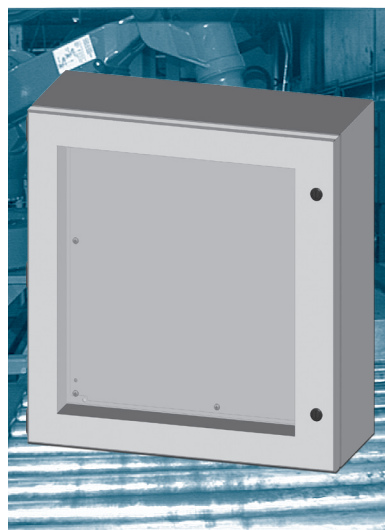
ANSI -61 gray powder coated inside and out. Optional panels are powder coated white.

IS2 - Industry Standards -

NEMA Type 4, 12 & Type 13
UL Listed Type 4 & 12
CSA Type 4 & 12
IEC 60529 IP66

ENVIROLINE® SERIES JUNCTION ENCLOSURES WITH VIEWING WINDOW

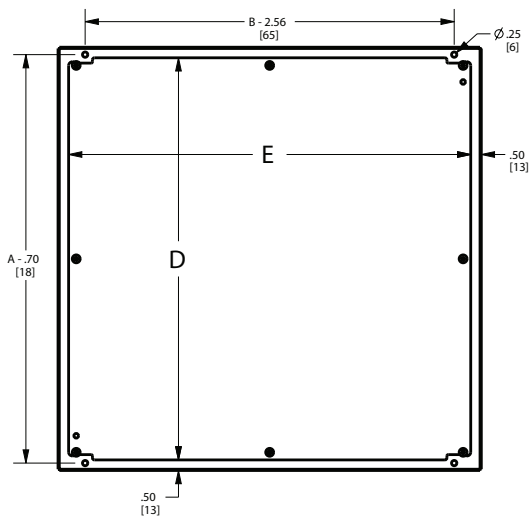
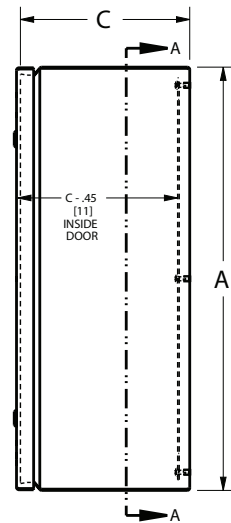
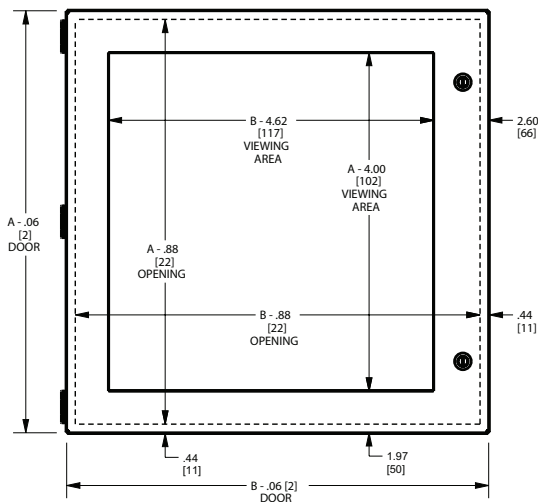
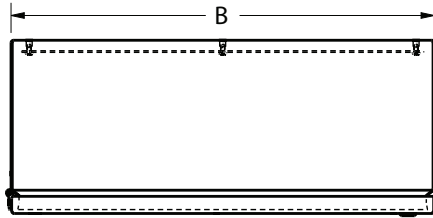
Catalog No.	ENCLOSURE PRODUCT CODE E1						SUB-PANEL (P3)	
	Height (A)	Width (B)	Depth (C)	Window Viewing Size	Industry Standard	List Price	Catalog No.	List Price
SCE-1008ELJW	10.00	8.00	4.00	6.00 x 3.375	IS2	119.76	SCE-10P8J	5.70
SCE-10086ELJW	10.00	8.00	6.00	6.00 x 3.375	IS2	126.12	SCE-10P8J	5.70
SCE-1210ELJW	12.00	10.00	6.00	8.00 x 5.375	IS2	138.48	SCE-12P10J	7.72
SCE-12108ELJW	12.00	10.00	8.00	8.00 x 5.375	IS2	150.72	SCE-12P10J	7.72
SCE-1614ELJW	16.00	14.00	6.00	12.00 x 9.375	IS2	193.82	SCE-16P14J	19.96
SCE-16148ELJW	16.00	14.00	8.00	12.00 x 9.375	IS2	204.42	SCE-16P14J	19.96
SCE-20208ELJW	20.00	20.00	8.00	16.00 x 15.375	IS2	242.20	SCE-20P20J	35.44



Phone (989) 799-6871
Fax (989) 799-4524



ENVIROLINE® SERIES JUNCTION ENCLOSURES WITH VIEWING WINDOW TECHNICAL DATA



SECTION A-A

LATCH NOTES:
 One latch centered on the door vertically
 if height is ≤ 14.00 [356]
 Two latches located 3.00 [76] from top
 & bottom of door if height is > 14.00 [356]