

EnviroLine® Series Trough Junction Enclosures with Viewing Window

Application -

Designed to house electrical controls, instruments and components used in an indoor or outdoor environment to provide a degree of protection for the equipment inside the enclosure against ingress of solid foreign objects (falling dirt); and provide a degree of protection with respect to the harmful effects on the equipment due to the ingress of water (rain, sleet, snow). For installation information, consult our Installation Manual at www.saginawcontrol.com.

Construction -

- 0.063" carbon steel.
- Seams continuously welded and ground smooth.
- Flange trough collar around all sides of door opening.
- Large viewing windows.
- Oil-resistant gasket.
- Standoffs provided for mounting optional sub-panels.
- Removable hinges.
- Doors open 180 degrees.
- Black mini quarter turn latches.
- Latches are opened or closed with a screwdriver.
- Sealing washers and hole plugs included.
- Ground stud on door and body.
- Mounting holes in back.
- Mounting feet included.
- Padlocking or keylocking latches, and tamper-resistant hardware is available.

Finish -

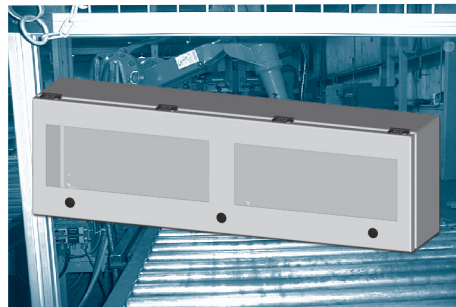
ANSI -61 gray powder coated inside and out. Optional sub-panels are powder coated white.

IS2 - Industry Standards -

NEMA Type 4, 12 & Type 13
UL Listed Type 4 & 12
CSA Type 4 & 12
IEC 60529 IP66

ENVIROLINE® SERIES TROUGH JUNCTION ENCLOSURES WITH VIEWING WINDOW

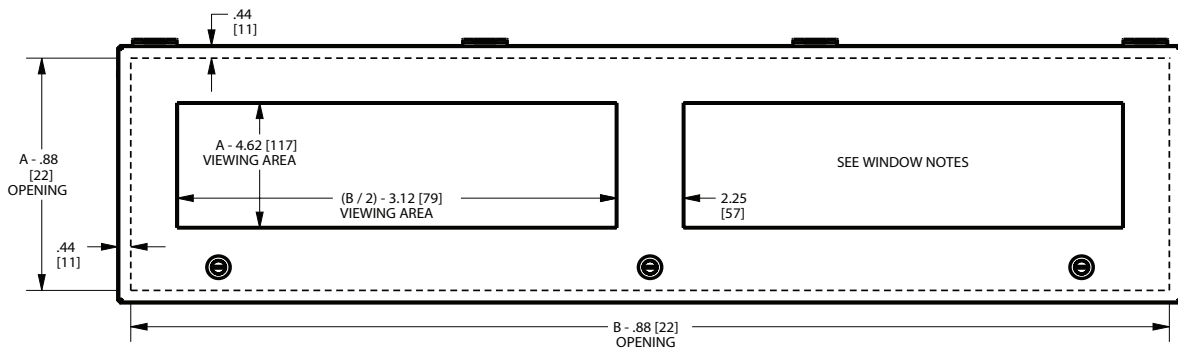
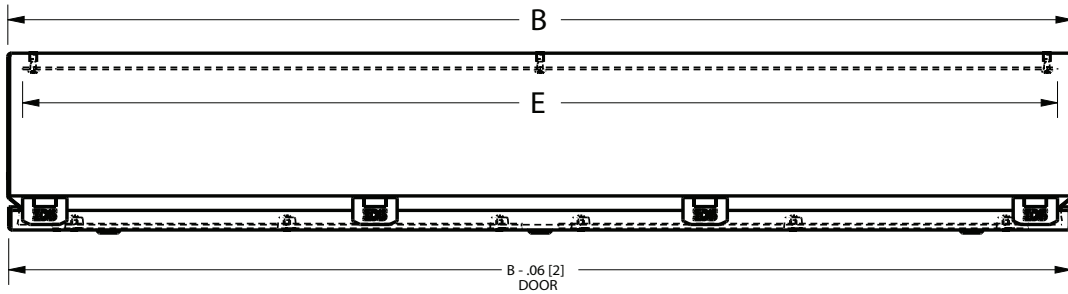
ENCLOSURE PRODUCT CODE E1						SUB-PANEL PRODUCT CODE (P3)			
Catalog No.	Height (A)	Width (B)	Depth (C)	Industry Standard	List Price	Catalog No.	Panel Height (D)	Panel Width (E)	List Price
SCE-L9126ELJW	9.00	12.00	6.00	IS2	275.71	SCE-9P12L	8.00	11.00	18.86
SCE-L9186ELJW	9.00	18.00	6.00	IS2	278.67	SCE-9P18L	8.00	17.00	26.63
SCE-L9246ELJW	9.00	24.00	6.00	IS2	303.78	SCE-9P24L	8.00	23.00	29.14
SCE-L9306ELJW	9.00	30.00	6.00	IS2	306.94	SCE-9P30L	8.00	29.00	31.92
SCE-L9366ELJW	9.00	36.00	6.00	IS2	309.80	SCE-9P36L	8.00	35.00	34.97



Phone (989) 799-6871
Fax (989) 799-4524



ENVIROLINE® SERIES TROUGH JUNCTION ENCLOSURES WITH VIEWING WINDOW TECHNICAL DATA



LATCH NOTES:

1. One latch centered on the door horizontally if width is ≤ 14.00 [356]
2. Two latches located 3.00 [76] from sides of door if width is > 14.00 [356]
3. An additional latch is centered horizontally if width is > 20.00 [508]

WINDOW NOTES:

1. Door has a single window when viewing area width is ≤ 16.00 [406]
2. door has two windows if viewing area width would be > 16.00 [406] for a single window.

