

Enviroline® Series Single-Door Enclosures

Application -

Designed to house electrical and electronic controls, instruments and components. Provides protection from dust, oil and water. For outdoor application a drip shield is recommended. For installation information, consult our Installation Manual at www.saginawcontrol.com.

Construction -

- 0.063" & 0.075" carbon steel.
- Seams continuously welded and ground smooth.
- Flange trough collar around all sides of door opening.
- Oil-resistant gasket.
- Collar studs provided for mounting optional panels.
- Concealed hinge.
- Removable and interchangeable doors.
- Black quarter turn latches.
- Latches are opened or closed with a screwdriver.
- Mounting holes in back of enclosure.
- Mounting hardware, sealing washer and hole plug included.
- Removable print pocket.
- Ground studs on door and body.

Options -

- Optional tamper-resistant inserts are available.
- Optional mounting feet available.
- Door hardware available.

Finish -

ANSI-61 gray powder coated inside and out. Optional panels are powder coated white.

Notes -

Interchangeable latches and handles available in the accessory section.

IS2 - Industry Standards -

NEMA Type 4, 12 & Type 13
UL Listed Type 4 & 12
CSA Type 4 & 12
IEC 60529 IP66

ENVIROLINE® SERIES SINGLE-DOOR ENCLOSURES

ENCLOSURE PRODUCT CODE E3						SUB-PANEL (P3)			
Catalog No.	Height (A)	Width (B)	Depth (C)	Industry Standard	List Price	Catalog No.	Panel Height (D)	Panel Width (E)	List Price
SCE-12EL1206LP	12.00	12.00	6.00	IS2	183.29	SCE-12DLP12	9.00	9.00	13.67
SCE-12EL2406LP	12.00	24.00	6.00	IS2	218.97	SCE-12P24	9.00	21.00	27.86
SCE-16EL1206LP	16.00	12.00	6.00	IS2	194.36	SCE-16P12	13.00	9.00	14.81
SCE-16EL1208LP	16.00	12.00	8.00	IS2	205.44	SCE-16P12	13.00	9.00	14.81
SCE-16EL1408LP	16.00	14.00	8.00	IS2	211.59	SCE-16DLP14	13.00	11.00	17.72
SCE-16EL1606LP	16.00	16.00	6.00	IS2	210.37	SCE-16P16	13.00	13.00	24.57
SCE-16EL1608LP	16.00	16.00	8.00	IS2	234.97	SCE-16P16	13.00	13.00	24.57
SCE-16EL2006LP	16.00	20.00	6.00	IS2	236.19	SCE-20P16	17.00	13.00	30.37
SCE-16EL2008LP	16.00	20.00	8.00	IS2	237.42	SCE-20P16	17.00	13.00	30.37
SCE-20EL1206LP	20.00	12.00	6.00	IS2	209.13	SCE-20P12	17.00	9.00	23.14
SCE-20EL1606LP	20.00	16.00	6.00	IS2	225.12	SCE-20P16	17.00	13.00	30.37
SCE-20EL1608LP	20.00	16.00	8.00	IS2	237.42	SCE-20P16	17.00	13.00	30.37
SCE-20EL1610LP	20.00	16.00	10.00	IS2	252.38	SCE-20P16	17.00	13.00	30.37
SCE-20EL1612LP	20.00	16.00	12.00	IS2	263.25	SCE-20P16	17.00	13.00	30.37
SCE-20EL2006LP	20.00	20.00	6.00	IS2	242.34	SCE-20P20	17.00	17.00	35.44
SCE-20EL2008LP	20.00	20.00	8.00	IS2	255.87	SCE-20P20	17.00	17.00	35.44
SCE-20EL2010LP	20.00	20.00	10.00	IS2	270.07	SCE-20P20	17.00	17.00	35.44
SCE-20EL2012LP	20.00	20.00	12.00	IS2	284.17	SCE-20P20	17.00	17.00	35.44
SCE-20EL2408LP	20.00	24.00	8.00	IS2	275.56	SCE-24P20	21.00	17.00	45.57
SCE-24EL1206LP	24.00	12.00	6.00	IS2	218.97	SCE-12P24	9.00	21.00	27.86
SCE-24EL1606LP	24.00	16.00	6.00	IS2	239.89	SCE-24P16	21.00	13.00	32.92
SCE-24EL1608LP	24.00	16.00	8.00	IS2	253.42	SCE-24P16	21.00	13.00	32.92
SCE-24EL2006LP	24.00	20.00	6.00	IS2	260.80	SCE-24P20	21.00	17.00	45.57
SCE-24EL2008LP	24.00	20.00	8.00	IS2	275.56	SCE-24P20	21.00	17.00	45.57
SCE-24EL2010LP	24.00	20.00	10.00	IS2	292.78	SCE-24P20	21.00	17.00	45.57
SCE-24EL2012LP	24.00	20.00	12.00	IS2	307.54	SCE-24P20	21.00	17.00	45.57
SCE-24EL2016LP	24.00	20.00	16.00	IS2	337.06	SCE-24P20	21.00	17.00	45.57
SCE-24EL2406LP	24.00	24.00	6.00	IS2	281.71	SCE-24P24	21.00	21.00	53.18
SCE-24EL2408LP	24.00	24.00	8.00	IS2	297.70	SCE-24P24	21.00	21.00	53.18
SCE-24EL2410LP	24.00	24.00	10.00	IS2	314.93	SCE-24P24	21.00	21.00	53.18
SCE-24EL2412LP	24.00	24.00	12.00	IS2	329.69	SCE-24P24	21.00	21.00	53.18
SCE-24EL2416LP	24.00	24.00	16.00	IS2	362.90	SCE-24P24	21.00	21.00	53.18
SCE-24EL3008LP	24.00	30.00	8.00	IS2	329.69	SCE-30P24	27.00	21.00	63.29
SCE-24EL3010LP	24.00	30.00	10.00	IS2	355.51	SCE-30P24	27.00	21.00	63.29
SCE-24EL3012LP	24.00	30.00	12.00	IS2	380.54	SCE-30P24	27.00	21.00	63.29
SCE-30EL1606LP	30.00	16.00	6.00	IS2	263.25	SCE-30P16	27.00	13.00	45.57
SCE-30EL2008LP	30.00	20.00	8.00	IS2	303.85	SCE-30P20	27.00	17.00	55.70
SCE-30EL2010LP	30.00	20.00	10.00	IS2	319.84	SCE-30P20	27.00	17.00	55.70
SCE-30EL2406LP	30.00	24.00	6.00	IS2	309.63	SCE-30P24	27.00	21.00	63.29
SCE-30EL2408LP	30.00	24.00	8.00	IS2	329.69	SCE-30P24	27.00	21.00	63.29
SCE-30EL2410LP	30.00	24.00	10.00	IS2	355.51	SCE-30P24	27.00	21.00	63.29
SCE-30EL2412LP	30.00	24.00	12.00	IS2	366.59	SCE-30P24	27.00	21.00	63.29
SCE-30EL2416LP	30.00	24.00	16.00	IS2	404.72	SCE-30P24	27.00	21.00	63.29
SCE-30EL2420LP	30.00	24.00	20.00	IS2	441.62	SCE-30P24	27.00	21.00	63.29
SCE-30EL2424LP	30.00	24.00	24.00	IS2	478.53	SCE-30P24	27.00	21.00	63.29
SCE-30EL3008LP	30.00	30.00	8.00	IS2	369.05	SCE-30P30	27.00	27.00	83.55
SCE-30EL3010LP	30.00	30.00	10.00	IS2	410.87	SCE-30P30	27.00	27.00	83.55
SCE-30EL3012LP	30.00	30.00	12.00	IS2	423.17	SCE-30P30	27.00	27.00	83.55
SCE-30EL3608LP	30.00	36.00	8.00	IS2	408.42	SCE-36P30	33.00	27.00	101.27
SCE-36EL2408LP	36.00	24.00	8.00	IS2	362.90	SCE-36P24	33.00	21.00	75.96
SCE-36EL2410LP	36.00	24.00	10.00	IS2	392.42	SCE-36P24	33.00	21.00	75.96

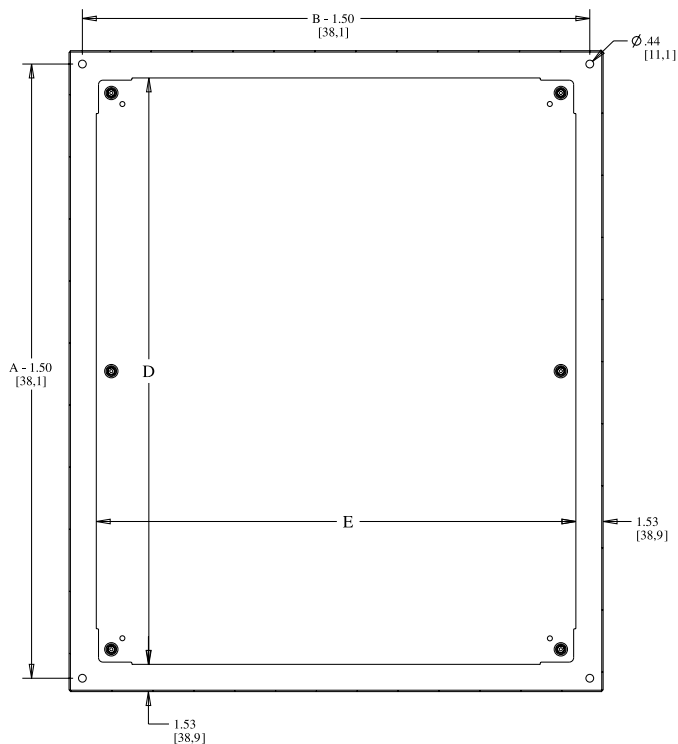
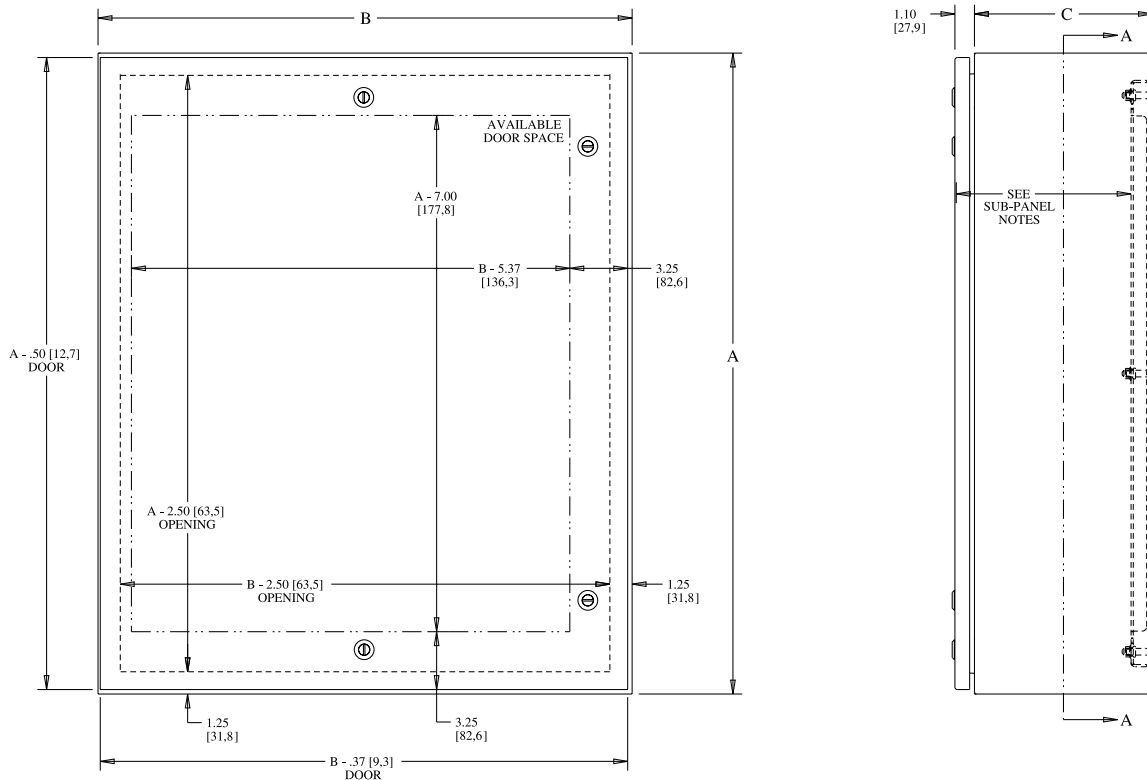
Phone (989) 799-6871

Fax (989) 799-4524



ENVIROLINE® SERIES SINGLE-DOOR ENCLOSURES

TECHNICAL DATA



SECTION A-A

SUB-PANEL NOTES:

Dimensions are from the inside of the door
 C + 0.32 [8,1] for flat sub-panels
 C - 0.18 [4,5] for bent sub-panels

LATCH NOTES:

Enclosures < 24.00" [609,6] in height require only one latch centered on door.
 Enclosures >= 24.00" [609,6] and < 40.00" [1016] in height require two latches on door.
 Enclosures >= 40.00" [1016] require three latches on door.
 Omit center latch top and bottom of door when door width is <= 30.00' [762]