

ENVIROLINE® SERIES SINGLE-DOOR ENCLOSURES

ENCLOSURE PRODUCT CODE E3						SUB-PANEL (P3)			
Catalog No.	Height (A)	Width (B)	Depth (C)	Industry Standard	List Price	Catalog No.	Panel Height (D)	Panel Width (E)	List Price
SCE-36EL2412LP	36.00	24.00	12.00	IS2	404.72	SCE-36P24	33.00	21.00	75.96
SCE-36EL2416LP	36.00	24.00	16.00	IS2	418.25	SCE-36P24	33.00	21.00	75.96
SCE-36EL3008LP	36.00	30.00	8.00	IS2	408.42	SCE-36P30	33.00	27.00	101.27
SCE-36EL3010LP	36.00	30.00	10.00	IS2	435.47	SCE-36P30	33.00	27.00	101.27
SCE-36EL3012LP	36.00	30.00	12.00	IS2	452.70	SCE-36P30	33.00	27.00	101.27
SCE-36EL3016LP	36.00	30.00	16.00	IS2	498.22	SCE-36P30	33.00	27.00	101.27
SCE-36EL3020LP	36.00	30.00	20.00	IS2	542.51	SCE-36P30	33.00	27.00	101.27
SCE-36EL3608LP	36.00	36.00	8.00	IS2	452.70	SCE-36P36	33.00	33.00	118.99
SCE-36EL3610LP	36.00	36.00	10.00	IS2	488.77	SCE-36P36	33.00	33.00	118.99
SCE-36EL3612LP	36.00	36.00	12.00	IS2	501.91	SCE-36P36	33.00	33.00	118.99
SCE-36EL3616LP	36.00	36.00	16.00	IS2	551.11	SCE-36P36	33.00	33.00	118.99
SCE-40EL2412LP	40.00	24.00	12.00	IS2	428.10	SCE-40P24	37.00	21.00	86.08
SCE-42EL2410LP	42.00	24.00	10.00	IS2	457.63	SCE-42P24	39.00	21.00	91.14
SCE-42EL3008LP	42.00	30.00	8.00	IS2	449.01	SCE-42P30	39.00	27.00	116.47
SCE-42EL3010LP	42.00	30.00	10.00	IS2	471.15	SCE-42P30	39.00	27.00	116.47
SCE-42EL3012LP	42.00	30.00	12.00	IS2	496.98	SCE-42P30	39.00	27.00	116.47
SCE-42EL3016LP	42.00	30.00	16.00	IS2	528.98	SCE-42P30	39.00	27.00	116.47
SCE-42EL3608LP	42.00	36.00	8.00	IS2	499.46	SCE-42P36	39.00	33.00	136.72
SCE-42EL3610LP	42.00	36.00	10.00	IS2	524.06	SCE-42P36	39.00	33.00	136.72
SCE-42EL3612LP	42.00	36.00	12.00	IS2	551.11	SCE-42P36	39.00	33.00	136.72
SCE-42EL3616LP	42.00	36.00	16.00	IS2	605.24	SCE-42P36	39.00	33.00	136.72
SCE-48EL2408LP	48.00	24.00	8.00	IS2	429.32	SCE-48P24	45.00	21.00	98.74
SCE-48EL2412LP	48.00	24.00	12.00	IS2	477.30	SCE-48P24	45.00	21.00	98.74
SCE-48EL3008LP	48.00	30.00	8.00	IS2	498.72	SCE-48P30	45.00	27.00	129.13
SCE-48EL3010LP	48.00	30.00	10.00	IS2	512.98	SCE-48P30	45.00	27.00	129.13
SCE-48EL3016LP	48.00	30.00	16.00	IS2	574.49	SCE-48P30	45.00	27.00	129.13
SCE-48EL3608LP	48.00	36.00	8.00	IS2	542.51	SCE-48P36	45.00	33.00	154.46
SCE-48EL3610LP	48.00	36.00	10.00	IS2	573.27	SCE-48P36	45.00	33.00	154.46
SCE-48EL3612LP	48.00	36.00	12.00	IS2	600.33	SCE-48P36	45.00	33.00	154.46
SCE-48EL3616LP	48.00	36.00	16.00	IS2	658.14	SCE-48P36	45.00	33.00	154.46
SCE-48EL3620LP	48.00	36.00	20.00	IS2	715.97	SCE-48P36	45.00	33.00	154.46
SCE-60EL2412LP	60.00	24.00	12.00	IS2	551.11	SCE-60P24	57.00	21.00	129.13
SCE-60EL3608LP	60.00	36.00	8.00	IS2	649.48	SCE-60P36	57.00	33.00	189.89
SCE-60EL3610LP	60.00	36.00	10.00	IS2	667.98	SCE-60P36	57.00	33.00	189.89
SCE-60EL3612LP	60.00	36.00	12.00	IS2	698.74	SCE-60P36	57.00	33.00	189.89
SCE-60EL3616LP	60.00	36.00	16.00	IS2	765.17	SCE-60P36	57.00	33.00	189.89
SCE-60EL3620LP	60.00	36.00	20.00	IS2	832.83	SCE-60P36	57.00	33.00	189.89
SCE-60EL3624LP	60.00	36.00	24.00	IS2	1,127.62	SCE-60P36	57.00	33.00	189.89
SCE-72EL3012LP	72.00	30.00	12.00	IS2	749.18	SCE-72P30	69.00	27.00	210.15
SCE-72EL3016LP	72.00	30.00	16.00	IS2	856.21	SCE-72P30	69.00	27.00	210.15
SCE-72EL3024LP	72.00	30.00	24.00	IS2	941.08	SCE-72P30	69.00	27.00	210.15
SCE-72EL3612LP	72.00	36.00	12.00	IS2	799.62	SCE-72P36	69.00	33.00	225.33
SCE-72EL3616LP	72.00	36.00	16.00	IS2	910.33	SCE-72P36	69.00	33.00	225.33

Enviroline® Series Single-Door Enclosures

Application -

Designed to house electrical and electronic controls, instruments and components. Provides protection from dust, oil and water. For outdoor application a drip shield is recommended. For installation information, consult our Installation Manual at www.saginawcontrol.com.

Construction -

- 0.063" & 0.075" carbon steel.
- Seams continuously welded and ground smooth.
- Flange trough collar around all sides of door opening.
- Oil-resistant gasket.
- Collar studs provided for mounting optional sub-panels.
- Concealed hinge.
- Removable and interchangeable doors.
- Black quarter turn latches.
- Latches are opened or closed with a screwdriver.
- Mounting holes in back of enclosure.
- Mounting hardware, sealing washer and hole plug included.
- Removable print pocket.
- Ground studs on door and body.

Options -

- Optional tamper-resistant inserts are available.
- Optional mounting feet available.
- Door hardware available.

Finish -

ANSI-61 gray powder coated inside and out. Optional sub-panels are powder coated white.

Notes -

Interchangeable latches and handles available in the accessory section.

IS2 - Industry Standards -

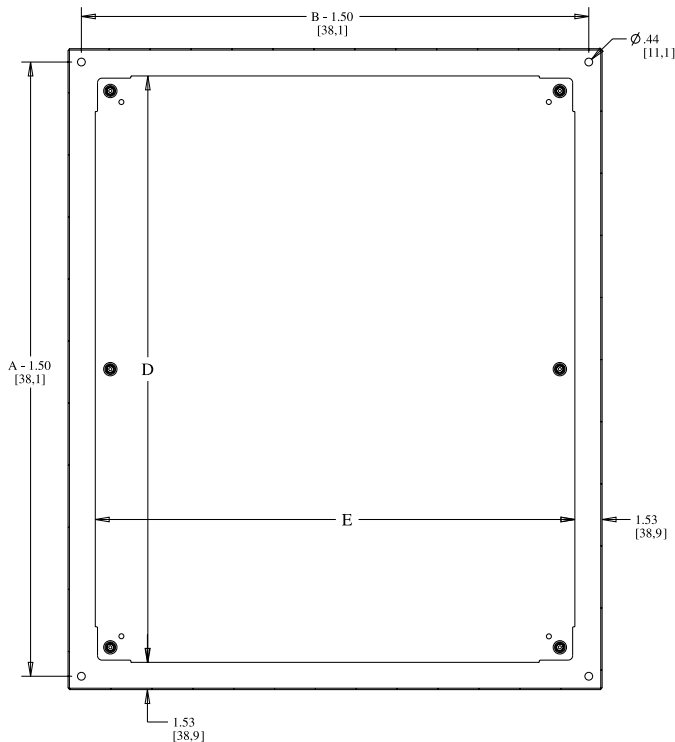
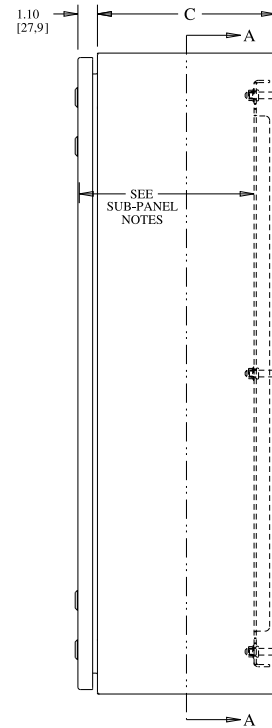
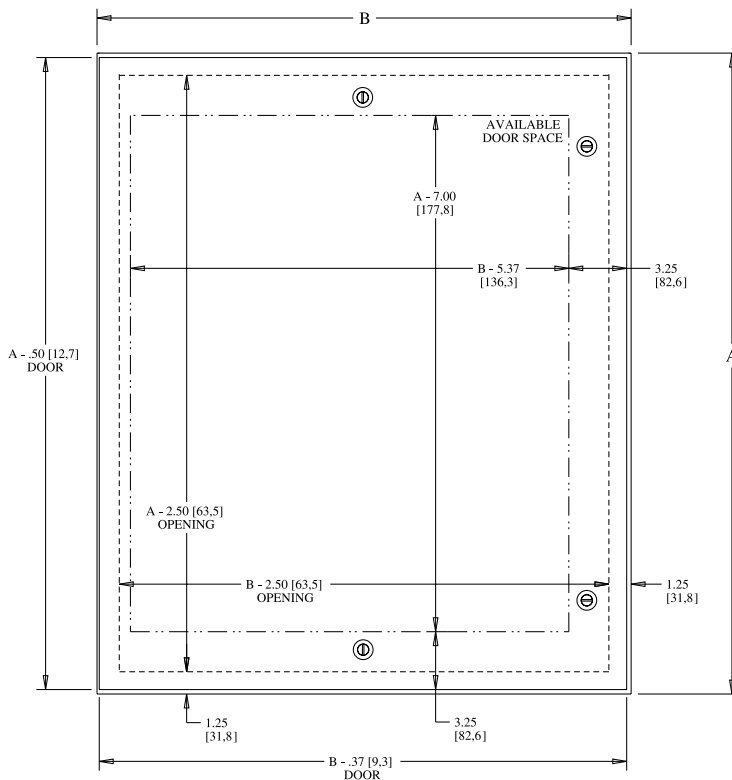
- NEMA Type 4, 12 & Type 13
- UL Listed Type 4 & 12
- CSA Type 4 & 12
- IEC 60529 IP66



Phone (989) 799-6871
Fax (989) 799-4524

ENVIROLINE® SERIES SINGLE-DOOR ENCLOSURES

TECHNICAL DATA



SECTION A-A

SUB-PANEL NOTES:

Dimensions are from the inside of the door
 $C + 0.32$ [8,1] for flat sub-panels
 $C - 0.18$ [4,5] for bent sub-panels

LATCH NOTES:

Enclosures < 24.00 " [609,6] in height require only one latch centered on door.
 Enclosures ≥ 24.00 " [609,6] and < 40.00 " [1016] in height require two latches on door.
 Enclosures ≥ 40.00 " [1016] require three latches on door.
 Omit center latch top and bottom of door when door width is ≤ 30.00 " [762]

Phone (989) 799-6871
 Fax (989) 799-4524

