

## CLAMP FASTENED SINGLE DOOR ENCLOSURES

ENCLOSURE PRODUCT CODE A3						SUB-PANEL (P3)			
Catalog No.	Height (A)	Width (B)	Depth (C)	Industry Standard	List Price	Catalog No.	Panel Height (D)	Panel Width (E)	List Price
SCE-30H2424LP	30.00	24.00	24.00	IS2	519.19	SCE-30P24	27.00	21.00	63.29
SCE-30H3008LP	30.00	30.00	8.00	IS2	401.30	SCE-30P30	27.00	27.00	83.55
SCE-30H3012LP	30.00	30.00	12.00	IS2	446.44	SCE-30P30	27.00	27.00	83.55
SCE-30H3608LP	30.00	36.00	8.00	IS2	443.93	SCE-36P30	33.00	27.00	101.27
SCE-36H1606LP	36.00	16.00	6.00	IS2	303.48	SCE-36P16	33.00	13.00	53.18
SCE-36H2406LP	36.00	24.00	6.00	IS2	371.21	SCE-36P24	33.00	21.00	75.96
SCE-36H2408LP	36.00	24.00	8.00	IS2	393.78	SCE-36P24	33.00	21.00	75.96
SCE-36H2410LP	36.00	24.00	10.00	IS2	416.36	SCE-36P24	33.00	21.00	75.96
SCE-36H2412LP	36.00	24.00	12.00	IS2	438.92	SCE-36P24	33.00	21.00	75.96
SCE-36H2416LP	36.00	24.00	16.00	IS2	489.09	SCE-36P24	33.00	21.00	75.96
SCE-36H3006LP	36.00	30.00	6.00	IS2	418.86	SCE-36P30	33.00	27.00	101.27
SCE-36H3008LP	36.00	30.00	8.00	IS2	443.93	SCE-36P30	33.00	27.00	101.27
SCE-36H3010LP	36.00	30.00	10.00	IS2	469.01	SCE-36P30	33.00	27.00	101.27
SCE-36H3012LP	36.00	30.00	12.00	IS2	491.60	SCE-36P30	33.00	27.00	101.27
SCE-36H3016LP	36.00	30.00	16.00	IS2	541.76	SCE-36P30	33.00	27.00	101.27
SCE-36H3020LP	36.00	30.00	20.00	IS2	589.41	SCE-36P30	33.00	27.00	101.27
SCE-36H3608LP	36.00	36.00	8.00	IS2	491.60	SCE-36P36	33.00	33.00	118.99
SCE-36H3612LP	36.00	36.00	12.00	IS2	546.77	SCE-36P36	33.00	33.00	118.99
SCE-36H3616LP	36.00	36.00	16.00	IS2	599.43	SCE-36P36	33.00	33.00	118.99
SCE-42H2408LP	42.00	24.00	8.00	IS2	431.40	SCE-42P24	39.00	21.00	91.14
SCE-42H3008LP	42.00	30.00	8.00	IS2	486.58	SCE-42P30	39.00	27.00	116.47
SCE-42H3010LP	42.00	30.00	10.00	IS2	511.65	SCE-42P30	39.00	27.00	116.47
SCE-42H3012LP	42.00	30.00	12.00	IS2	539.24	SCE-42P30	39.00	27.00	116.47
SCE-42H3016LP	42.00	30.00	16.00	IS2	594.42	SCE-42P30	39.00	27.00	116.47
SCE-42H3608LP	42.00	36.00	8.00	IS2	541.76	SCE-42P36	39.00	33.00	136.72
SCE-42H3610LP	42.00	36.00	10.00	IS2	569.34	SCE-42P36	39.00	33.00	136.72
SCE-42H3612LP	42.00	36.00	12.00	IS2	599.43	SCE-42P36	39.00	33.00	136.72
SCE-42H3616LP	42.00	36.00	16.00	IS2	657.13	SCE-42P36	39.00	33.00	136.72
SCE-48H2408LP	48.00	24.00	8.00	IS2	466.51	SCE-48P24	45.00	21.00	98.74
SCE-48H3008LP	48.00	30.00	8.00	IS2	529.22	SCE-48P30	45.00	27.00	129.13
SCE-48H3010LP	48.00	30.00	10.00	IS2	556.80	SCE-48P30	45.00	27.00	129.13
SCE-48H3016LP	48.00	30.00	16.00	IS2	644.58	SCE-48P30	45.00	27.00	129.13
SCE-48H3608LP	48.00	36.00	8.00	IS2	589.41	SCE-48P36	45.00	33.00	154.46
SCE-48H3610LP	48.00	36.00	10.00	IS2	622.02	SCE-48P36	45.00	33.00	154.46
SCE-48H3612LP	48.00	36.00	12.00	IS2	652.12	SCE-48P36	45.00	33.00	154.46
SCE-48H3616LP	48.00	36.00	16.00	IS2	714.82	SCE-48P36	45.00	33.00	154.46
SCE-48H3620LP	48.00	36.00	20.00	IS2	777.52	SCE-48P36	45.00	33.00	154.46
SCE-60H3608LP	60.00	36.00	8.00	IS2	687.22	SCE-60P36	57.00	33.00	189.89
SCE-60H3610LP	60.00	36.00	10.00	IS2	724.84	SCE-60P36	57.00	33.00	189.89
SCE-60H3612LP	60.00	36.00	12.00	IS2	759.96	SCE-60P36	57.00	33.00	189.89
SCE-60H3620LP	60.00	36.00	20.00	IS2	902.92	SCE-60P36	57.00	33.00	189.89
SCE-72H3012LP	72.00	30.00	12.00	IS2	812.62	SCE-72P30	69.00	27.00	210.15
SCE-72H3016LP	72.00	30.00	16.00	IS2	929.27	SCE-72P30	69.00	27.00	210.15
SCE-72H3024LP	72.00	30.00	24.00	IS2	1,020.81	SCE-72P30	69.00	27.00	210.15
SCE-72H3612LP	72.00	36.00	12.00	IS2	867.81	SCE-72P36	69.00	33.00	225.33
SCE-72H3616LP	72.00	36.00	16.00	IS2	985.70	SCE-72P36	69.00	33.00	225.33

## Clamp Fastened Single Door Enclosures

## Application -

Designed to house electrical and electronic controls, instruments, and components. Provides protection from dust, dirt, oil and water. For installation information, consult our Installation Manual at [www.saginawcontrol.com](http://www.saginawcontrol.com).

## Construction -

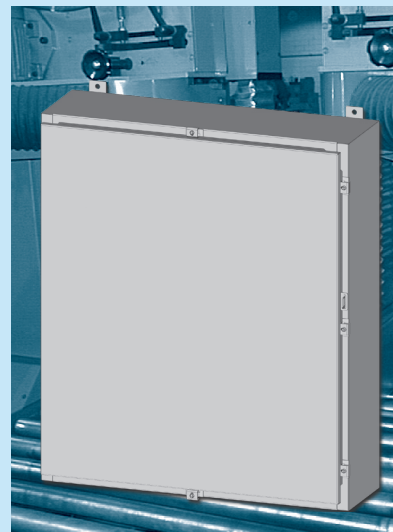
- 0.063" & 0.075" carbon steel.
- Seams continuously welded and ground smooth, no holes or knockouts.
- Flange trough collar around all sides of door opening.
- Door clamps are quick and easy to operate.
- Concealed hinge.
- Hasp and staple for padlocking.
- Oil resistant gasket.
- Collar studs for mounting optional panels.
- Ground stud on door.
- Removable print pocket furnished if height and width of enclosure is 24" or more.

## Finish -

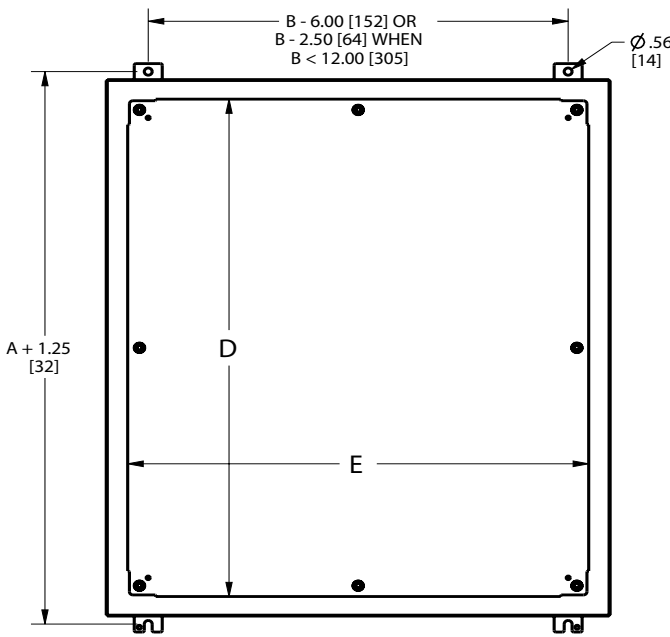
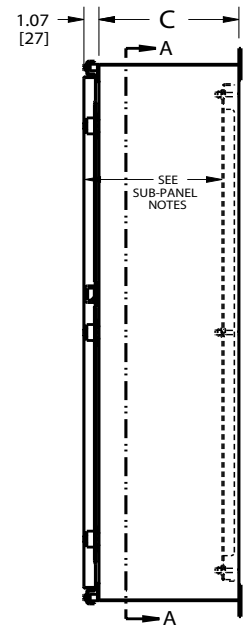
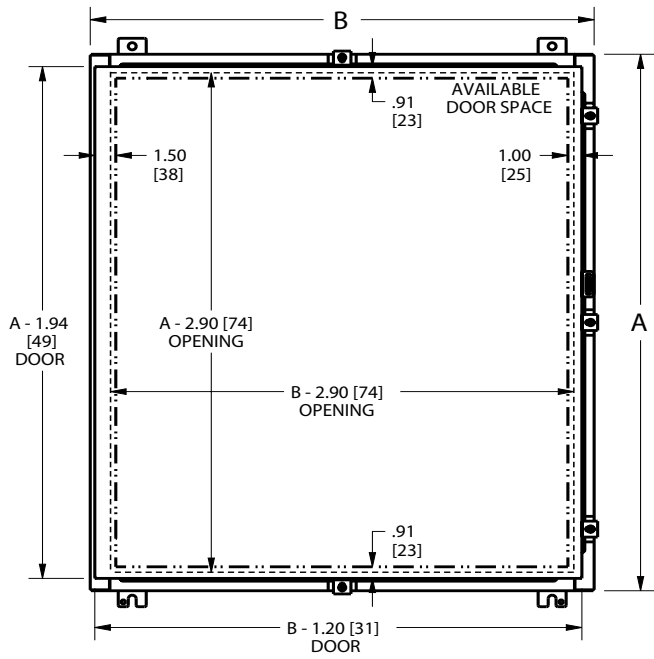
ANSI-61 gray powder coated inside and out. Optional sub-panels are powder coated white.

## IS2 - Industry Standards -

NEMA Type 4, 12 & Type 13  
UL Listed Type 4 & 12  
CSA Type 4 & 12  
IEC 60529 IP66



## CLAMP FASTENED SINGLE DOOR ENCLOSURES TECHNICAL DATA



SECTION A-A

**SUB-PANEL NOTES:**  
 Dimensions are from the inside of the door  
 C + .30 [8] for flat sub-panels  
 C - .20 [5] for bent sub-panels

**CLAMPING NOTES:**  
 Enclosures < 27.00 [686] in height require two clamps on door.  
 Enclosures >= 27.00 [686] in height require three clamps on door.  
 Omit center clamp top and bottom of door when door width is <= 30.00 [762]

Phone (989) 799-6871  
 Fax (989) 799-4524

