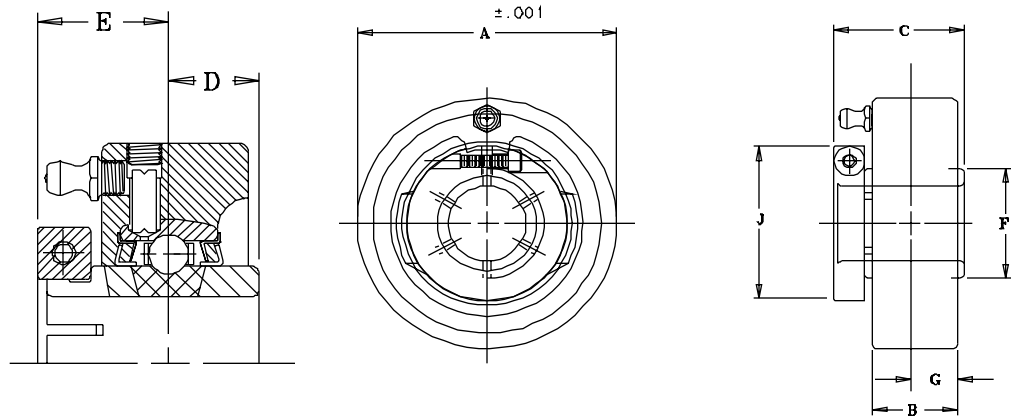


## MFC-T Series Medium Duty Flange Cartridge Units...Skwezloc Locking

SHAFT DIAM. IN	PART NO.	BRG. NO.	Dimensions In Inches													UNIT WT.
			A	B	C	D	E	F	G	H	J	K	L	M	N	
1	MFC-16T	3-1T	4 3/8	3 5/8	1 5/8	1 3/16	7/16	3/8	1/4	3/8	1 3/8	3.000	2 1/16	15/16	5/8	3.2
1 3/16 1 1/4	MFC-19T MFC-20T	3-13T 2-14T	5	4 1/8	1 3/4	1 1/4	1/2	7/16	3/8	3/8	1 3/8	3.375	2 7/16	1 1/16	11/16	4.2
1 7/16 1 1/2	MFC-23T MFC-24T	3-17T 2-18T	5 1/4	4 3/8	2	1 15/32	17/32	7/16	7/16	7/16	1 9/16	3.625	2 11/16	1 1/4	3/4	5.2
1 1/2	MFC-24HT	3-18T	6 1/8	5 1/8	2	1 7/16	9/16	1/2	7/16	7/16	1 9/16	4.250	2 13/16	1 1/4	3/4	6.3
1 11/16 1 3/4	MFC-27T MFC-28T	3-111T 3-112T	6 1/8	5 1/8	2 3/32	1 15/32	5/8	1/2	15/32	7/16	1 5/8	4.250	3 1/4	1 11/32	3/4	7.1
1 15/16 2	MFC-31T MFC-32T	3-115T 2-2T	6 3/8	5 3/8	2 1/4	1 5/8	5/8	1/2	5/8	7/16	1 5/8	4.500	3 1/2	1 3/8	7/8	8.1
2 3/16 2 1/4	MFC-35T MFC-36T	3-23T 2-24T	7 1/8	6	2 5/8	1 7/8	3/4	9/16	7/8	1/2	1 3/4	5.000	4 1/16	1 5/8	1	11.7



## MSC-T Series Medium Duty Cartridge Units...Skwezloc Locking

SHAFT DIAM. IN	PART NO.	BRG. NO.	Dimensions In Inches								UNIT WT.
			A	B	C	D	E	F	G	J	
1 *	MSC-16T	3-1T	3 1/2	1 3/32	1 9/16	5/8	15/16	1 19/32	9/16	2 1/16	2.5
1 3/16 1 1/4	MSC-19T MSC-20T	3-13T 2-14T	3 7/8	1 7/32	1 3/4	11/16	1 1/16	1 55/64	5/8	2 7/16	3.2
1 7/16	MSC-23T	3-17T	4 3/16	1 15/32	2	3/4	1 1/4	2 1/16	3/4	2 11/16	4.1
1 1/2	MSC-24T	3-18T	4 3/8	1 7/16	2	3/4	1 1/4	2 19/64	23/32	2 13/16	4.5
1 11/16 1 3/4	MSC-27T MSC-28T	3-111T 3-112T	4 9/16	1 15/32	2 3/32	3/4	1 11/32	2 15/32	3/4	3 1/4	4.9
1 15/16 2	MSC-31T MSC-32T	3-115T 2-2T	4 15/16	1 19/32	2 1/4	7/8	1 3/8	2 23/32	27/32	3 1/2	5.8
2 3/16 2 1/4	MSC-35T MSC-36T	3-23T 2-24T	5 7/8	1 5/8	2 5/8	1	1 5/8	2 63/64	13/16	4 1/16	9.0

\* Misalignment capability reduced.

For Load Ratings, see page 84. For Medium Duty SKWEZLOC Bearing Inserts, see page 83. See page 70 for seal arrangements. For custom seals, see page 188.