

## DWB

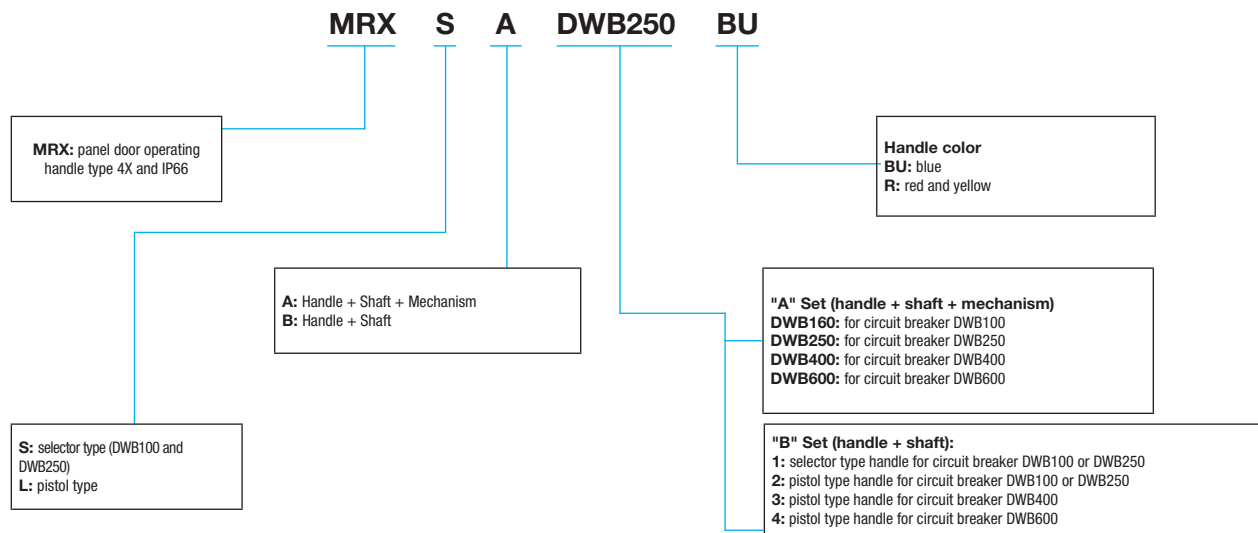
### External Accessories

#### Panel Door Operating Handles

##### Handle (IP66)


- When in ON position, panel door cannot be opened, unless a tool is used to bypass the panel door locking system, allowing thermometry of the panel.
- Circuit breaker and panel door padlocking in OFF position using 1 to 3 padlocks.

##### Coding






#### Panel Door Operating Handles (IP66)

##### "A" Set: Handle + Shaft + Mechanism

Description	Circuit breaker	Shaft (mm)	Length of handle (mm)	Handle color	List Price	Multiplier
 MRXS	<a href="#">MRXS-A-DWB160-R</a>	DWB100	460	-	Red and yellow	<b>\$310</b>
	<a href="#">MRXS-A-DWB250-R</a>	DWB250	460	-	Red and yellow	<b>\$310</b>
	<a href="#">MRXL-A-DWB160-R</a>	DWB100	460	105	Red and yellow	<b>\$350</b>
	<a href="#">MRXL-A-DWB250-R</a>	DWB250	460	105	Red and yellow	<b>\$350</b>
	<a href="#">MRXL-A-DWB400-R</a>	DWB400	460	105	Red and yellow	<b>\$420</b>
	<a href="#">MRXL-A-DWB1000-R</a>	DWB600	460	158	Red and yellow	<b>\$525</b>
	<a href="#">MRXS-A-DWB160-BU</a>	DWB100	460	-	Blue	<b>\$310</b>
	<a href="#">MRXS-A-DWB250-BU</a>	DWB250	460	-	Blue	<b>\$310</b>
	<a href="#">MRXL-A-DWB160-BU</a>	DWB100	460	105	Blue	<b>\$350</b>
	<a href="#">MRXL-A-DWB250-BU</a>	DWB250	460	105	Blue	<b>\$350</b>
	<a href="#">MRXL-A-DWB400-BU</a>	DWB400	460	105	Blue	<b>\$420</b>
	<a href="#">MRXL-A-DWB1000-BU</a>	DWB600	460	158	Blue	<b>\$525</b>

Z10

 MRXS  
 MRXL  
 MRXL

Notes: 1) Padlocks 4 up to 8 mm may be fit to the handles.  
2) Sold separately only. It is not sold assembled on the circuit breaker.