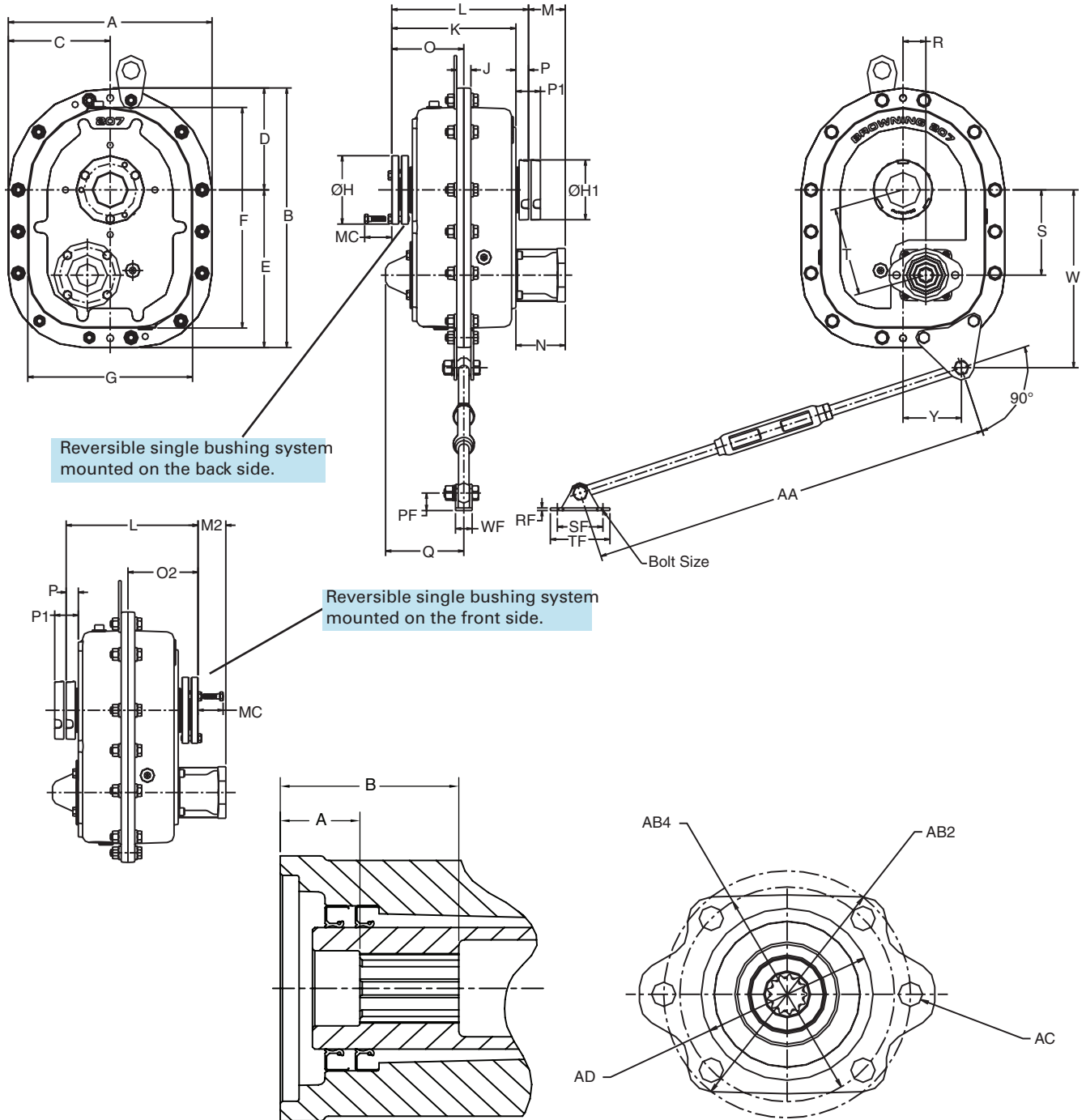


HMTP TorqTaper Plus® Unit Sizes 107-315



| UNIT NO. | HYDRAULIC MOTOR MOUNTING STYLES | | | | | | | |
|----------|---------------------------------|------|------|------|------|------|------|------|
| | 6B | | 9T | | 13T | | 14T | |
| | A | B | A | B | A | B | A | B |
| 107 | 1.03 | 2.38 | 0.64 | 1.89 | - | - | - | - |
| 115 | 1.01 | 2.36 | 0.62 | 1.87 | 1.28 | 2.15 | - | - |
| 203 | 1.06 | 2.37 | 0.73 | 1.98 | 1.12 | 1.93 | 1.40 | 2.92 |
| 207 | 1.10 | 2.41 | - | - | 1.16 | 1.97 | 1.39 | 2.91 |
| 215 | 1.02 | 2.39 | - | - | 0.91 | 2.10 | 1.43 | 2.94 |
| 307 | 1.06 | 2.43 | - | - | - | - | 1.47 | 2.98 |
| 315 | 1.13 | 2.50 | - | - | - | - | 1.54 | 3.05 |

HMTP TorqTaper Plus® Shaft Mounted Speed Reducers Unit Sizes 107-315

| PART NO. | DIMENSIONS IN INCHES | | | | | | | | | | | | | | | | | |
|----------|----------------------|-------|------|------|-------|-------|-------|------|------|------|-------|-------|------|------|------|------|------|------|
| | A | B | C | D | E | F | G | H | H1 | J | K | L | MC | O | O2 | P | P1 | PF |
| 107HMTP | 9.76 | 12.07 | 4.88 | 4.88 | 7.19 | 10.07 | 7.75 | 3.25 | 3.00 | 0.63 | 5.52 | 7.89 | 1.75 | 4.25 | 4.21 | 0.90 | 1.84 | 1.14 |
| 115HMTP | 11.00 | 14.08 | 5.50 | 5.50 | 8.58 | 11.78 | 8.69 | 4.13 | 3.50 | 0.75 | 5.99 | 8.36 | 1.88 | 4.48 | 4.45 | 0.90 | 1.83 | 1.14 |
| 203HMTP | 12.88 | 16.16 | 6.44 | 6.44 | 9.72 | 13.66 | 10.38 | 4.50 | 3.75 | 0.87 | 7.07 | 9.43 | 1.88 | 5.01 | 4.99 | 0.89 | 1.83 | 1.32 |
| 207HMTP | 14.50 | 16.47 | 7.25 | 7.25 | 11.22 | 15.73 | 11.76 | 4.88 | 4.25 | 1.01 | 7.39 | 9.75 | 1.88 | 5.14 | 5.19 | 0.89 | 1.86 | 1.51 |
| 215HMTP | 16.25 | 20.88 | 8.13 | 8.13 | 12.76 | 18.07 | 13.44 | 5.31 | 4.75 | 1.07 | 8.24 | 10.85 | 1.88 | 5.89 | 5.74 | 1.02 | 1.96 | 1.51 |
| 307HMTP | 19.04 | 24.37 | 9.52 | 9.52 | 14.85 | 21.00 | 15.67 | 6.44 | 5.69 | 1.25 | 9.27 | 12.57 | 2.25 | 6.58 | 6.61 | 1.36 | 2.75 | 1.81 |
| 315HMTP | 19.90 | 26.35 | 9.95 | 9.95 | 16.40 | 23.02 | 16.57 | 7.13 | 6.70 | 1.25 | 10.51 | 14.50 | 2.75 | 7.51 | 7.61 | 1.73 | 3.25 | 2.22 |

| PART NO. | DIMENSIONS IN INCHES | | | | | | | | | | | | | | BOLT SIZE | MAX. OUTPUT BORE | WT. LBS. |
|----------|----------------------|------|------|------|------|------|------|-------|------|------|-------|-------|------|---------|-----------|------------------|----------|
| | Q | R | RF | S | SF | T | TF | W | WF | Y | AA | | | | | | |
| | MIN. | | MAX. | | | | | | | | | | | | | | |
| 107HMTP | 4.24 | 1.18 | 0.36 | 3.77 | 2.50 | 3.95 | 3.38 | 7.88 | 1.44 | 2.73 | 24.00 | 30.00 | 3/8 | 1 7/16 | 58 | | |
| 115HMTP | 4.51 | 1.35 | 0.36 | 4.36 | 2.50 | 4.56 | 3.38 | 9.14 | 1.44 | 3.12 | 24.00 | 30.00 | 3/8 | 1 15/16 | 79 | | |
| 203HMTP | 5.04 | 1.48 | 0.42 | 5.26 | 2.50 | 5.46 | 3.50 | 10.94 | 1.72 | 3.64 | 24.00 | 30.00 | 3/8 | 2 3/16 | 120 | | |
| 207HMTP | 5.57 | 1.63 | 0.48 | 6.08 | 3.00 | 6.29 | 4.25 | 12.68 | 2.19 | 4.16 | 27.00 | 33.00 | 7/16 | 2 7/16 | 162 | | |
| 215HMTP | 6.24 | 2.12 | 0.48 | 7.01 | 3.00 | 7.32 | 4.25 | 14.19 | 2.19 | 4.65 | 27.00 | 33.00 | 7/16 | 2 15/16 | 234 | | |
| 307HMTP | 6.79 | 2.25 | 0.61 | 7.78 | 4.00 | 8.10 | 5.38 | 17.00 | 2.78 | 5.58 | 29.00 | 35.00 | 1/2 | 3 7/16 | 365 | | |
| 315HMTP | 8.05 | 2.63 | 0.72 | 8.53 | 4.75 | 8.93 | 6.50 | 18.12 | 3.63 | 6.20 | 29.50 | 35.50 | 5/8 | 3 15/16 | 473 | | |

| PART NO. | DIMENSIONS IN INCHES | | | | | | | | | | SPLINE DATA ★ | | |
|--------------------|----------------------|------|------|------|------|------|------|------|-------|-------|---------------|--|--|
| | M | M2 | N | AB2 | AB4 | AC | AD | NT | DP | OD | | | |
| | 107HMTP 6B SAE-A2 | 2.18 | 1.60 | 3.08 | 4.19 | - | 0.50 | 3.25 | 6 | - | 1.00 | | |
| 107HMTP 9T SAE-A2 | 2.18 | 1.60 | 3.08 | 4.19 | - | 0.38 | 3.25 | 9 | 16/32 | .609 | | | |
| 107HMTP 13T SAE-B2 | 2.66 | 2.08 | 3.56 | 5.75 | 5.00 | 0.50 | 4.00 | 13 | 16/32 | .875 | | | |
| 115HMTP 6B SAE-A2 | 2.18 | 1.60 | 3.08 | 4.19 | - | 0.50 | 3.25 | 6 | - | 1.00 | | | |
| 115HMTP 9T SAE-A2 | 2.18 | 1.60 | 3.08 | 4.19 | - | 0.38 | 3.25 | 9 | 16/32 | .609 | | | |
| 115HMTP 13T SAE-B2 | 2.66 | 2.08 | 3.56 | 5.75 | 5.00 | 0.50 | 4.00 | 13 | 16/32 | .875 | | | |
| 203HMTP 6B SAE-A2 | 2.68 | 2.14 | 3.58 | 4.19 | - | 0.50 | 3.25 | 6 | - | 1.00 | | | |
| 203HMTP 9T SAE-A2 | 2.68 | 2.14 | 3.58 | 4.19 | - | 0.38 | 3.25 | 9 | 16/32 | .609 | | | |
| 203HMTP 13T SAE-B2 | 2.87 | 2.33 | 3.77 | 5.75 | 5.00 | 0.50 | 4.00 | 13 | 16/32 | .875 | | | |
| 203HMTP 14T SAE-C4 | 3.18 | 2.64 | 4.08 | 6.38 | - | 0.50 | 5.00 | 14 | 12/24 | 1.234 | | | |
| 207HMTP 6B SAE-A2 | 2.62 | 2.07 | 3.52 | 4.19 | - | 0.50 | 3.25 | 6 | - | 1.00 | | | |
| 207HMTP 13T SAE-B2 | 2.81 | 2.26 | 3.71 | 5.75 | 5.00 | 0.50 | 4.00 | 13 | 16/32 | .875 | | | |
| 207HMTP 14T SAE-C4 | 3.12 | 2.57 | 4.02 | 6.38 | - | 0.50 | 5.00 | 14 | 12/24 | 1.234 | | | |
| 215HMTP 6B SAE-A2 | 2.69 | 2.12 | 3.72 | 4.19 | - | 0.50 | 3.25 | 6 | - | 1.00 | | | |
| 215HMTP 13T SAE-B2 | 2.68 | 2.11 | 3.71 | 5.75 | 5.00 | 0.50 | 4.00 | 13 | 16/32 | .875 | | | |
| 215HMTP 14T SAE-C4 | 3.24 | 2.67 | 4.27 | 6.38 | - | 0.50 | 5.00 | 14 | 12/24 | 1.234 | | | |
| 307HMTP 6B SAE-A2 | 2.29 | 1.67 | 3.65 | 4.19 | - | 0.50 | 3.25 | 6 | - | 1.00 | | | |
| 307HMTP 14T SAE-C4 | 2.84 | 2.22 | 4.20 | 6.38 | - | 0.50 | 5.00 | 14 | 12/24 | 1.234 | | | |
| 315HMTP 6B SAE-A2 | 1.92 | 1.29 | 3.65 | 4.19 | - | 0.50 | 3.25 | 6 | - | 1.00 | | | |
| 315HMTP 14T SAE-C4 | 2.47 | 1.84 | 4.20 | 6.38 | - | 0.50 | 5.00 | 14 | 12/24 | 1.234 | | | |

★ NT - Number of spline teeth.
 DP - Involute spline diametral pitch.
 OD - Internal spline major outside diameter.

Part Number Explanation

