



Ball Bearings

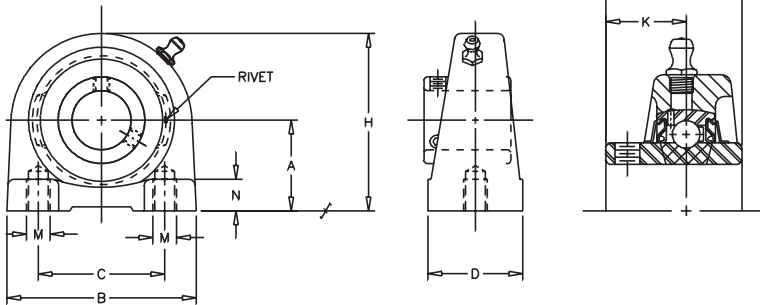
VALUE & QUALITY V
TAPPED T
BASE B
SET SCREW S

200 2
NORMAL 0
DUTY 0

VTBS-200

Lock: Set Screw
Seal: Contact
Housing: Cast Iron
Temperature: -20°F to 200°F
Self Alignment: ±1.5°
Inserts: VS-200
 Dimension pg 18
 Ratings pg 19

Bore Size	Fitting
1/2" - 1 1/4" S	1/4" - 28NF
1 1/4" - 2" S	1/8" NPT



SHAFT DIA. IN	UNIT NO.	BRG NO.	Dimensions in Inches							M BOLT HOLES UNC-THREAD	N MIN TAP DEPTH	UNIT WT.
			A	B	C	D	H	J	K			
1/2	VTBS-208	VS-208	1 5/16	2 7/8	2	1 1/2	2 9/16	1 1/32	5/8	3/8-16	1/2	1.3
5/8	VTBS-210	VS-210	1 5/16	2 7/8	2	1 1/2	2 9/16	1 7/32	23/32	3/8-16	1/2	1.5
3/4	VTBS-212	VS-212	1 7/16	3	2	1 1/2	2 13/16	1 3/8	13/16	3/8-16	1/2	1.6
7/8	VTBS-214	VS-214	1 7/16	3	2	1 1/2	2 13/16	1 3/8	13/16	3/8-16	1/2	1.6
15/16	VTBS-215	VS-215	1 7/16	3	2	1 1/2	2 13/16	1 3/8	13/16	3/8-16	1/2	1.6
1	VTBS-216	VS-216	1 7/16	3	2	1 1/2	2 13/16	1 3/8	13/16	3/8-16	1/2	1.6
1 1/8	VTBS-218	VS-218	1 11/16	4	3	1 1/2	3 3/8	1 1/2	7/8	7/16-14	5/8	2.5
1 3/16	VTBS-219	VS-219	1 11/16	4	3	1 1/2	3 3/8	1 1/2	7/8	7/16-14	5/8	2.5
1 1/4	VTBS-220S	VS-220S	1 11/16	4	3	1 1/2	3 3/8	1 1/2	7/8	7/16-14	5/8	2.5
1 1/4	VTBS-220	VS-220	1 7/8	4 1/4	3 1/4	1 7/8	3 3/4	1 11/16	1	1/2-13	3/4	3.4
1 3/8	VTBS-222	VS-222	1 7/8	4 1/4	3 1/4	1 7/8	3 3/4	1 11/16	1	1/2-13	3/4	3.4
1 7/16	VTBS-223	VS-223	1 7/8	4 1/4	3 1/4	1 7/8	3 3/4	1 11/16	1	1/2-13	3/4	3.4
1 1/2	VTBS-224	VS-224	1 15/16	4 5/8	3 1/2	1 7/8	3 15/16	1 15/16	1 3/16	1/2-13	3/4	3.8
1 5/8	VTBS-226	VS-226	1 15/16	4 5/8	3 1/2	1 7/8	3 15/16	1 15/16	1 3/16	1/2-13	3/4	3.8
1 11/16	VTBS-227	VS-227	2 1/8	5	3 3/4	2	4 1/4	1 15/16	1 3/16	1/2-13	3/4	4.7
1 3/4	VTBS-228	VS-228	2 1/8	5	3 3/4	2	4 1/4	1 15/16	1 3/16	1/2-13	3/4	4.7
1 15/16	VTBS-231	VS-231	2 1/4	5 1/2	4	2	4 5/8	2 1/32	1 9/32	5/8-11	7/8	5.7
2	VTBS-232S	VS-232S	2 1/4	5 1/2	4	2	4 5/8	2 1/32	1 9/32	5/8-11	7/8	5.7

CROSS REFERENCE TO COMPETITORS PRODUCTS

REPLACES DODGE TB-SC	REPLACES MB TBC-25		

Refer to Interchange Section Page 166 for more detail.

See page 156 for trademark acknowledgments.