



200

VS-200

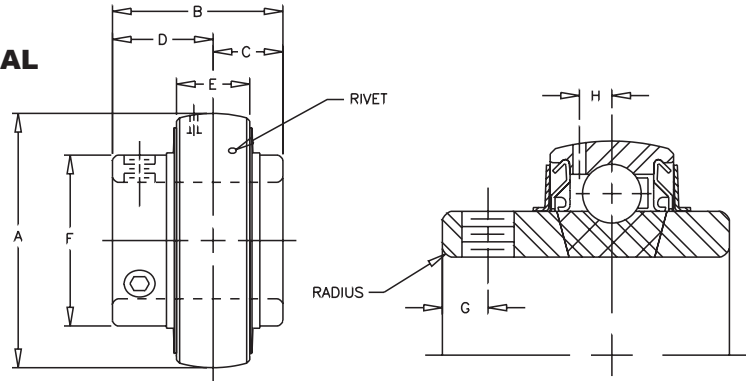
Lock: Set Screw
 Seal: Contact
 Temperature: -20°F to 200°F
 Ratings: Page 19

V VALUE & QUALITY
S SET SCREW INSERT

2 200
0 NORMAL
0 DUTY

Browning[®]

Ball Bearings



SHAFT DIA. IN	BRG. NO.	Dimensions In Inches									SET SCREW TAP	UNIT WT.
		A	B	C	D	E	F	G	H	RADIUS		
1/2	VS-208	40MM	1 1/32	13/32	5/8	.512	31/32	5/32	9/64	.040	10-32	.4
5/8	VS-210	1.5748										
3/4	VS-212	47MM 1.8504	1 7/32	1/2	23/32	.591	1 3/16	3/16	5/32	.040	1/4-28	.4
7/8	VS-214	52MM	1 3/8	9/16	13/16	.591	1 3/8	7/32	5/32	.040	1/4-28	.6
15/16	VS-215	2.0472										
1	VS-216											
1 1/8	VS-218	62MM	1 1/2	5/8	7/8	.709	1 19/32	7/32	13/64	.040	1/4-28	.9
1 3/16	VS-219	2.4409										
1 1/4	VS-220S											
1 1/4	VS-220	72MM	1 11/16	11/16	1	.748	1 55/64	1/4	15/64	.040	5/16-24	1.2
1 3/8	VS-222	2.8346										
1 7/16	VS-223											
1 1/2	VS-224	80MM 3.1496	1 15/16	3/4	1 3/16	.866	2 1/16	5/16	17/64	.062	5/16-24	1.5
1 5/8	VS-226	85MM	1 15/16	3/4	1 3/16	.866	2 19/64	5/16	17/64	.062	5/16-24	1.6
1 11/16	VS-227	3.3465										
1 3/4	VS-228											
1 15/16	VS-231	90MM	2 1/32	3/4	1 9/32	.906	2 15/32	3/8	9/32	.062	3/8-24	1.8
2	VS-232S	3.5433										
2	VS-232	100MM	2 3/16	7/8	1 5/16	.984	2 23/32	3/8	5/16	.080	3/8-24	2.3
2 3/16	VS-235	3.9370										
2 1/4	VS-236	110MM	2 9/16	1	1 9/16	1.063	2 63/64	7/16	21/64	.080	3/8-24	3.1
2 7/16	VS-239	4.3307										
2 11/16	VS-243	125MM 4.9213	2 3/4	1 1/16	1 11/16	1.102	3 7/16	7/16	3/8	.125	7/16-20	4.5
2 15/16	VS-247	130MM 5.1181	3 1/16	1 5/16	1 3/4	1.142	3 41/64	7/16	3/8	.125	7/16-20	6.7
3 1/2	VS-256	160MM 6.2992	3 25/32	1 9/16	2 7/32	1.457	4 25/64	5/8	1/2	.125	1/2-20	11.5

CROSS REFERENCE TO COMPETITORS PRODUCTS

For insert interchange information, contact EPT Mounted Bearing Technical Support.
 See page 260 for contact information.