



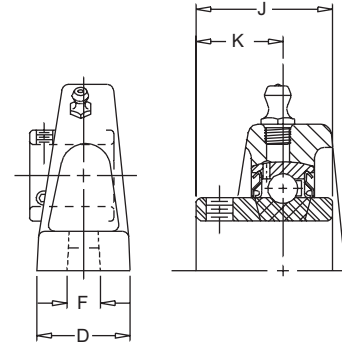
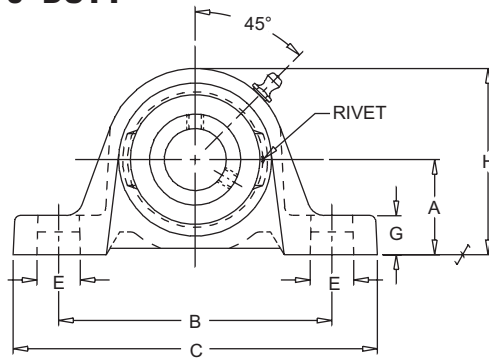
VPS-300

Lock: Set Screw
 Seal: Contact
 Housing: Cast Iron
 Temperature: -20°F to 200°F
 Self Alignment: ±1.5°
 Inserts: VS-300
 Dimensions pg 26
 Ratings pg 27

V VALUE & QUALITY
P PILLOW BLOCK
S SET SCREW

3 300
0 MEDIUM
0 DUTY

Bore Size	Fitting
1"	1/4" - 28NF
1 3/16" - 3 15/16" S	1/8" NPT



SHAFT DIA. IN	UNIT NO.	BRG. NO.	Dimensions in Inches											BOLT SIZE IN.	UNIT WT.
			A	B	C	D	E	F	G	H	J	K			
1	VPS-316	VS-316	1 3/4	4 5/8	6 3/16	1 3/4	15/16	9/16	23/32	3 11/32	1 1/2	7/8	1/2	3.6	
1 3/16	VPS-319	VS-319	1 7/8	5	6 3/4	1 3/4	7/8	9/16	23/32	3 11/16	1 11/16	1	1/2	4.8	
1 7/16	VPS-323	VS-323	2 1/8	5 17/32	7 1/4	2	29/32	9/16	13/16	4 3/16	1 15/16	1 3/16	1/2	6.2	
1 1/2	VPS-324	VS-324	2 5/16	5 31/32	7 13/16	2 3/16	1	11/16	13/16	4 9/16	1 15/16	1 3/16	5/8	8.0	
1 11/16	VPS-327	VS-327	2 5/16	6 1/8	7 15/16	2 1/4	1	11/16	13/16	4 5/8	2 1/32	1 9/32	5/8	8.0	
1 3/4	VPS-328	VS-328	2 5/16	6 1/8	7 15/16	2 1/4	1	11/16	13/16	4 5/8	2 1/32	1 9/32	5/8	8.0	
1 15/16	VPS-331	VS-331	2 1/2	6 15/16	8 13/16	2 5/16	1	11/16	7/8	4 31/32	2 3/16	1 5/16	5/8	10.5	
2	VPS-332	VS-232	2 1/2	6 15/16	8 13/16	2 5/16	1	11/16	7/8	4 31/32	2 3/16	1 5/16	5/8	10.5	
2 3/16	VPS-335	VS-335	2 3/4	7 13/32	9 1/2	2 3/8	1 5/32	11/16	7/8	5 9/16	2 9/16	1 9/16	5/8	14.3	
2 1/4	VPS-336	VS-236	2 3/4	7 13/32	9 1/2	2 3/8	1 5/32	11/16	7/8	5 9/16	2 9/16	1 9/16	5/8	14.3	
2 7/16	VPS-339	VS-339	3	8 1/4	10 3/4	2 11/16	1 3/8	13/16	15/16	6 3/16	2 3/4	1 11/16	3/4	18.7	
2 1/2	VPS-340	VS-340	3	8 1/4	10 3/4	2 11/16	1 3/8	13/16	15/16	6 3/16	2 3/4	1 11/16	3/4	18.7	
2 11/16	VPS-343	VS-343	3 1/2	9 1/8	12	2 7/8	1 1/4	15/16	1	6 13/16	3 1/16	1 3/4	7/8	24.2	
2 15/16	VPS-347	VS-347	3 1/2	9 1/4	12	3	1 1/2	15/16	1 1/4	7	3 1/4	1 15/16	7/8	26.4	
3	VPS-348	VS-348	3 1/2	9 1/4	12	3	1 1/2	15/16	1 1/4	7	3 1/4	1 15/16	7/8	26.4	
3 7/16	VPS-355	VS-355	4	11 1/8	14	3 3/8	1 1/2	15/16	1 5/16	7 15/16	3 25/32	2 7/32	7/8	38.5	
3 1/2	VPS-356	VS-256	4	11 1/8	14	3 3/8	1 1/2	15/16	1 5/16	7 15/16	3 25/32	2 7/32	7/8	38.5	
3 15/16	VPS-363	VS-363	5	13 1/4	17	4	1 13/16	1 1/16	1 3/8	9 3/4	4 5/8	2 11/16	1	72.6	

⊗ Air Handling (AH) To order specify AH suffix, i.e. VPS-316 AH (see page 50)

CROSS REFERENCE TO COMPETITORS PRODUCTS

REPLACES DODGE P2B-SCM	REPLACES MB C-35	REPLACES SKF SYM-TM	REPLACES NTN UCPX
		REPLACES HUB CITY PB350**	REPLACES BOSTON MB

Refer to Interchange Section Page 166 for more detail.

**-Narrow Length through Bore