



Ball Bearings

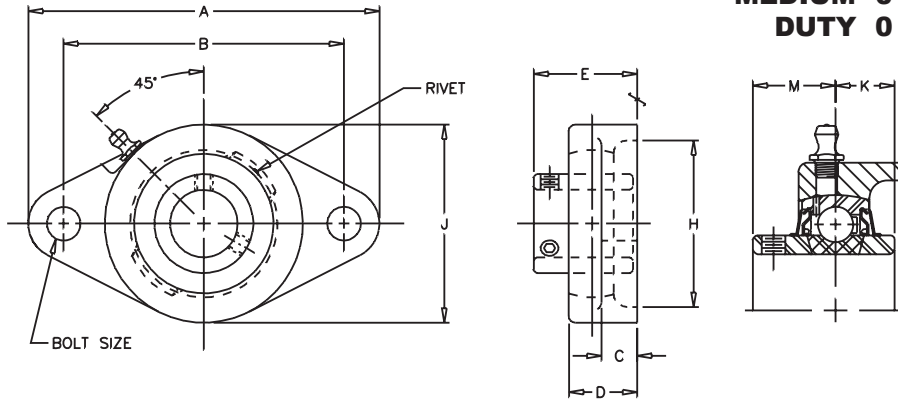
VALUE & QUALITY V
FLANGE F
TWO BOLT 2
SET SCREW S

300 3
MEDIUM 0
DUTY 0

VF2S-300

Lock: Set Screw
Seal: Contact
Housing: Cast Iron
Temperature: -20°F to 200°F
Self Alignment: ±1.5°
Inserts: VS-300
 Dimensions pg 26
 Ratings pg 27

Bore Size	Fitting
1"	1/4" - 28NF
1 3/16" - 2" S	1/8" NPT



SHAFT DIA. IN.	UNIT NO.	BRG. NO.	Dimensions In Inches									BOLT SIZE IN.	UNIT WT.
			A	B	C	D	E	H CORED	J	K	M		
⊗ 1	VF2S-316	VS-316	5 9/16	4 19/32	17/32	1 5/64	1 9/16	2 3/4	3 1/8	5/8	7/8	7/16	2.7
⊗ 1 3/16	VF2S-319	VS-319	6 1/8	5 1/8	19/32	1 5/32	1 3/4	3 3/16	3 5/8	11/16	1	1/2	2.7
⊗ 1 1/4	VF2S-320	VS-220											
⊗ 1 7/16	VF2S-323	VS-323	6 3/4	5 21/32	5/8	1 19/64	2 1/64	3 1/2	4 1/8	3/4	1 3/16	1/2	4.8
⊗ 1 1/2	VF2S-324	VS-324	7 1/16	5 27/32	5/8	1 21/64	2 3/64	3 3/4	4 3/8	3/4	1 3/16	9/16	4.8
⊗ 1 11/16	VF2S-327	VS-327	7 7/16	6 3/16	5/8	1 23/64	2 5/32	4	4 9/16	3/4	1 9/32	9/16	7.6
⊗ 1 3/4	VF2S-328	VS-328											
⊗ 1 15/16	VF2S-331	VS-331	8 1/2	7 1/4	13/16	1 33/64	2 5/16	4 1/4	5 1/4	7/8	1 5/16	5/8	9.6
⊗ 2	VF2S-332	VS-232											

⊗ Air Handling (AH) To order specify AH suffix, i.e. VF2S-316 AH (See page 50)

CROSS REFERENCE TO COMPETITORS PRODUCTS

REPLACES DODGE F2B-SCM	REPLACES MB FC2-35	REPLACES SKF FYTM-TM	REPLACES NTN UCFLX
FAFNIR YCJ-TM			

Refer to Interchange Section Page 166 for more detail.

See page 156 for trademark acknowledgments.