



Ball Bearings

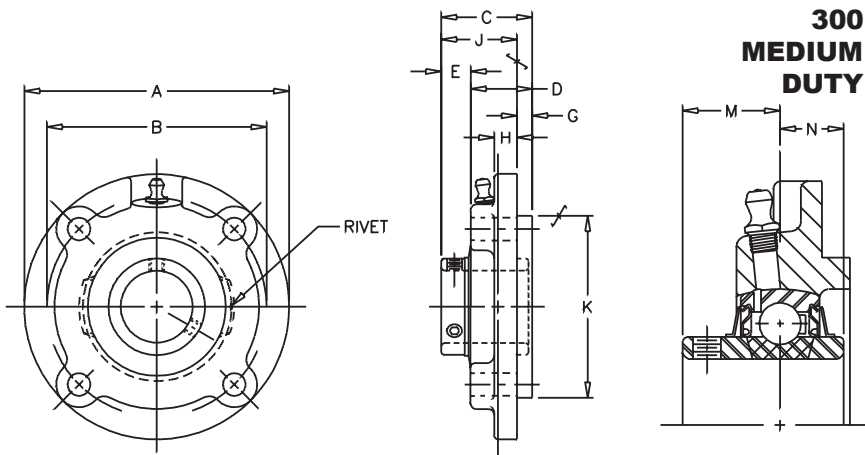
VALUE & QUALITY V
FLANGE F
CARTRIDGE C
SET SCREW S

VFCS-300



300

Lock: Set Screw
Seal: Contact
Housing: Cast Iron
Temperature: -20°F to 200°F
Self Alignment: ±1.5°
Inserts: VS-300
 Dimensions pg 26
 Ratings pg 27



300 3
MEDIUM 0
DUTY 0

Bore Size	Fitting
1" - 2"	1/4" - 28NF
2 3/16" - 3 15/16"	1/8" NPT

SHAFT DIA. IN.	UNIT NO.	BRG. NO.	Dimensions in Inches											BOLT SIZE IN.	UNIT WT.
			A	B	C	D	E	G	H	J	*K	M	N		
1	VFCS-316	VS-316	4 3/8	3 5/8	1 1/2	1 1/64	31/64	1/4	3/8	1 1/4	3	7/8	5/8	5/16	2.5
1 3/16	VFCS-319	VS-319	5	4 1/8	1 11/16	1 3/32	19/32	3/8	3/8	1 5/16	3 3/8	1	11/16	3/8	3.2
1 1/4	VFCS-320	VS-220													
1 7/16	VFCS-323	VS-323	5 1/4	4 3/8	1 15/16	1 7/32	23/32	7/16	3/8	1 1/2	3 5/8	1 3/16	3/4	3/8	3.7
1 1/2	VFCS-324	VS-324	6 1/8	5 1/8	1 15/16	1 7/32	23/32	7/16	3/8	1 1/2	4 1/4	1 3/16	3/4	7/16	5.0
1 11/16	VFCS-327	VS-327	6 1/8	5 1/8	2 1/16	1 17/64	51/64	15/32	3/8	1 19/32	4 1/4	1 9/32	3/4	7/16	5.8
1 3/4	VFCS-328	VS-328													
1 15/16	VFCS-331	VS-331	6 3/8	5 3/8	2 13/64	1 13/32	51/64	5/8	3/8	1 37/64	4 1/2	1 5/16	7/8	7/16	6.0
2	VFCS-332	VS-232	7 1/8	6	2 7/8	1 7/8	1	7/8	1/2	2	5	1 9/16	1	1/2	6.1
2 3/16	VFCS-335	VS-335													
2 1/4	VFCS-336	VS-236	7 5/8	6 1/2	3 7/64	2	1 7/64	1	1/2	2 7/64	5 1/2	1 11/16	1 1/16	1/2	10.2
2 7/16	VFCS-339	VS-339													
2 1/2	VFCS-340	VS-340	8 3/4	7 1/2	3 3/16	2 3/64	1 9/64	1	1/2	2 3/16	6 3/8	1 3/4	1 5/16	5/8	14.0
2 11/16	VFCS-343	VS-343													
2 15/16	VFCS-347	VS-347	8 3/4	7 1/2	3 3/8	2 1/8	1 1/4	1 1/8	1/2	2 1/4	6 3/8	1 15/16	1 5/16	5/8	14.0
3	VFCS-348	VS-348													
3 7/16	VFCS-355	VS-355	10 1/4	8 5/8	3 29/32	2 29/64	1 29/64	1 1/8	5/8	2 25/32	7 3/8	2 7/32	1 9/16	3/4	21.0
3 1/2	VFCS-356	VS-256	10 7/8	9 3/8	4 11/16	2 7/8	1 13/16	1 5/16	3/4	3 3/8	8 1/8	2 11/16	1 15/16	3/4	28.0
3 15/16	VFCS-363	VS-363													

* Tolerance +.000", -.002"

CROSS REFERENCE TO COMPETITORS PRODUCTS

REPLACES DODGE FC-SCM	REPLACES MB PFC4-35		
		REPLACES HUB CITY FC350**	REPLACES BOSTON MBP

Refer to Interchange Section Page 166 for more detail.

**Narrow length through bore

See page 156 for trademark acknowledgments.