

Set Screw



300

Browning[®]

Ball Bearings

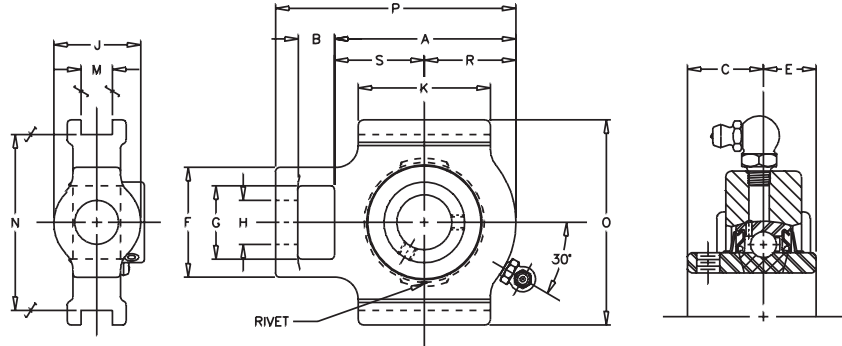
VTWS-300

Lock: Set Screw
Seal: Contact
Housing: Cast Iron
Temperature: -20°F to 200°F
Self Alignment: +/-1.5
Inserts: VS-300
 Dimensions pg 26
 Ratings pg 27

V VALUE & QUALITY
T TAKE-UP
W WIDE SLOT
S SET SCREW

3 300
0 MEDIUM
0 DUTY

Bore Size	Fitting
1"	1/4" - 28NF
1 3/16" - 3"	1/8" NPT



SHAFT DIA. IN	UNIT NO.	BRG. NO.	Dimensions In Inches															UNIT WT.
			A	B	C	E	F	G	H CORE	J HUB	K	M	N	O	P	R	S	
1	VTWS-316	VS-316	3 3/8	3/4	7/8	5/8	2 1/8	1 7/16	7/8	1 3/4	2 1/2	17/32	3 1/2	4	4 5/8	1 25/32	1 19/32	3.1
1 3/16	VTWS-319	VS-319	3 3/4	3/4	1	11/16	2 1/8	1 7/16	7/8	1 3/4	2 3/4	17/32	3 1/2	4	5	2	1 3/4	4.0
1 7/16	VTWS-323	VS-323	4 7/32	3/4	1 3/16	3/4	2 3/4	1 15/16	1 1/8	2 1/8	3 1/4	11/16	4	4 1/2	5 19/32	2 3/16	2 1/32	5.7
1 1/2	VTWS-324	VS-324	4 3/8	3/4	1 3/16	3/4	2 3/4	1 15/16	1 1/8	2 1/8	3 1/4	11/16	4	4 1/2	5 3/4	2 1/4	2 1/8	5.7
1 11/16	VTWS-327	VS-327	4 17/32	3/4	1 9/32	3/4	2 3/4	1 15/16	1 1/8	2 1/8	3 3/8	11/16	4	4 1/2	5 29/32	2 5/16	2 7/32	6.2
1 3/4	VTWS-328	VS-328																
1 15/16	VTWS-331	VS-331	5 3/32	1	1 5/16	7/8	3 5/8	2 1/2	1 3/8	2 1/2	3 3/4	1 1/16	5 1/8	5 3/4	6 27/32	2 9/16	2 17/32	9.5
2	VTWS-332	VS-232																
2 3/16	VTWS-335	VS-335	5 1/2	1	1 9/16	1	3 5/8	2 1/2	1 3/8	2 1/2	4	1 1/16	5 1/8	5 3/4	7 1/4	2 27/32	2 21/32	11.0
2 1/4	VTWS-336	VS-236																
2 7/16	VTWS-339	VS-339	6 9/16	1 1/4	1 11/16	1 1/16	4 3/8	2 3/4	1 5/8	2 7/8	4 3/4	1 1/16	5 15/16	6 9/16	8 5/8	3 1/4	3 5/16	17.0
2 1/2	VTWS-340	VS-340																
2 11/16	VTWS-343	VS-343	6 7/8	1 1/4	1 3/4	1 5/16	4 3/8	2 3/4	1 5/8	2 7/8	4 3/4	1 1/16	5 15/16	6 9/16	8 15/16	3 7/16	3 7/16	18.0
2 15/16	VTWS-347	VS-347	6 15/16	1 1/4	1 15/16	1 5/16	4 3/8	2 3/4	1 5/8	2 7/8	4 3/4	1 1/16	6 1/2	7 1/4	9	3 1/2	3 7/16	20.0
3	VTWS-348	VS-348																

CROSS REFERENCE TO COMPETITORS PRODUCTS

REPLACES DODGE WSTU-SCM	REPLACES MB TC-35	REPLACES SKF TBYM-TM	

Refer to Interchange Section Page 166 for more detail.