



300

VS-300

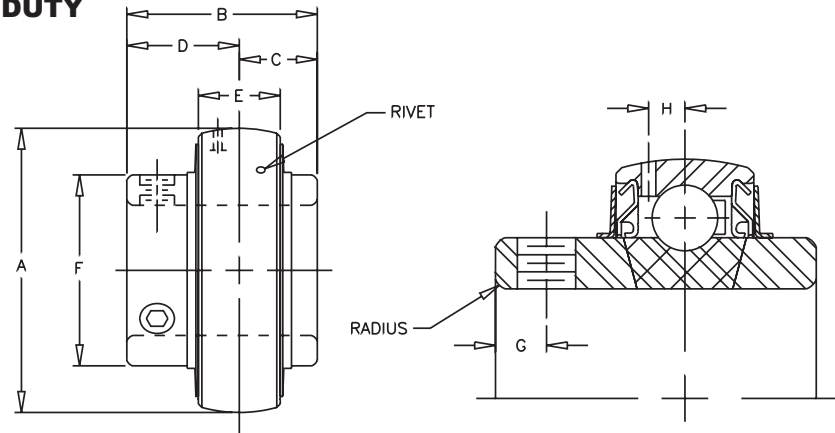
Lock: Set Screw
 Seal: Contact
 Temperature: -20°F to 200°F
 Ratings: Page 27

V VALUE & QUALITY
S SET SCREW

3 300
0 MEDIUM
0 DUTY

Browning®

Ball Bearings



SHAFT DIA. IN	BRG. NO.	Dimensions in Inches									SET SCREW TAP	UNIT WT.
		A	B	C	D	E	F	G	H	RADIUS		
1	VS-316	62MM 2.4409	1 1/2	5/8	7/8	.709	1 19/32	7/32	13/64	.040	1/4-28	.9
1 3/16	VS-319	72MM 2.8346	1 11/16	11/16	1	.748	1 55/64	1/4	15/64	.040	5/16-24	1.2
1 7/16	VS-323	80MM 3.1496	1 15/16	3/4	1 3/16	.866	2 1/16	5/16	17/64	.062	5/16-24	1.6
1 1/2	VS-324	85MM 3.3465	1 15/16	3/4	1 3/16	.866	2 19/64	5/16	17/64	.062	5/16-24	1.6
1 11/16	VS-327	90MM	2 1/32	3/4	1 9/32	.906	2 15/32	3/8	9/32	.062	3/8-24	1.8
1 3/4	VS-328	3.5433										
1 15/16	VS-331	100MM 3.9370	2 3/16	7/8	1 5/16	.984	2 23/32	3/8	5/16	.080	3/8-24	2.3
2 3/16	VS-335	110MM 4.3307	2 9/16	1	1 9/16	1.063	2 63/64	7/16	21/64	.080	3/8-24	3.1
2 7/16	VS-339	125MM										
2 1/2	VS-340	4.9213	2 3/4	1 1/16	1 11/16	1.102	3 7/16	7/16	3/8	.080	7/16-20	4.7
2 11/16	VS-343	130MM 5.1181	3 1/16	1 5/16	1 3/4	1.142	3 41/64	7/16	3/8	.080	7/16-20	4.9
2 15/16	VS-347	140MM										
3	VS-348	5.5118	3 1/4	1 5/16	1 15/16	1.299	3 59/64	17/32	27/64	.120	7/16-20	5.9
3 7/16	VS-355	160MM 6.2992	3 25/32	1 9/16	2 7/32	1.457	4 25/64	5/8	1/2	.120	1/2-20	7.8
3 15/16	VS-363	190MM 7.4803	4 5/8	1 15/16	2 11/16	1.693	5 11/64	3/4	19/32	.120	5/8-18	9.7

CROSS REFERENCE TO COMPETITORS PRODUCTS

For insert interchange information, contact EPT Mounted Bearing Technical Support.
 See page 260 for contact information.