

Set Screw



100

Browning[®]

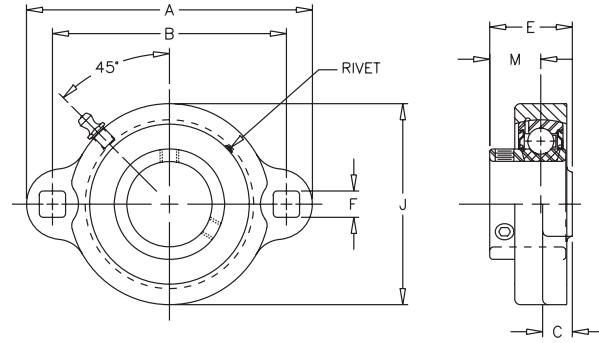
Ball Bearings

VF2S-100M

V VALUE & QUALITY
F FLANGE
2 TWO BOLT
S SET SCREW

Lock: Set Screw
Seal: Contact
Housing: Ductile
Temperature: -20°F to 200°F
Self Alignment: ±1.5°
Inserts: VS-100
 Dimensions pg 47
 Ratings pg 48

1 100
0 INTERMEDIATE
0 DUTY
M DUCTILE



Bore Size	Fitting
1/2" - 1 7/16"	1/4" - 28NF

SHAFT DIA. IN	UNIT NO.	BRG. NO.	Dimensions In Inches							UNIT WT.	
			A	B	C	E	F	J	M		
1/2	VF2S-108M	VS-108									
5/8	VF2S-110M	VS-110	3 3/16	2 1/2	13/32	31/32	19/64	1 15/16	5/8	.6	
3/4	VF2S-112M	VS-112	3 9/16	2 13/16	7/16	1 7/64	23/64	2 1/4	47/64	.9	
7/8	VF2S-114M	VS-114									
15/16	VF2S-115M	VS-115	3 3/4	3	7/16	1 3/16	23/64	2 1/2	49/64	1.0	
1	VF2S-116M	VS-116									
1 1/8	VF2S-118M	VS-118									
1 3/16	VF2S-119M	VS-119	4 7/16	3 9/16	15/32	1 17/64	27/64	2 15/16	25/32	1.5	
1 1/4	VF2S-120SM	VS-120S									
1 1/4	VF2S-120M	VS-120	4 13/16	3 15/16	1/2	1 25/64	27/64	3 3/8	55/64	1.9	
1 3/8	VF2S-122M	VS-122									
1 7/16	VF2S-123M	VS-123									

CROSS REFERENCE TO COMPETITORS PRODUCTS

REPLACES DODGE LFT-SC		REPLACES SEALMASTER BRONZE LFT	REPLACES NTN UCFL-2
	REPLACES LINK-BELT FX-UG200N	REPLACES HUB CITY FB 160	REPLACES BOSTON XL2**

Refer to Interchange Section Page 166 for more detail.
 **-Non-Relubricable