

Browning®

Ball Bearings

VALUE & QUALITY V
 PILLOW BLOCK P
 SET SCREW S

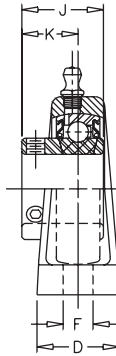
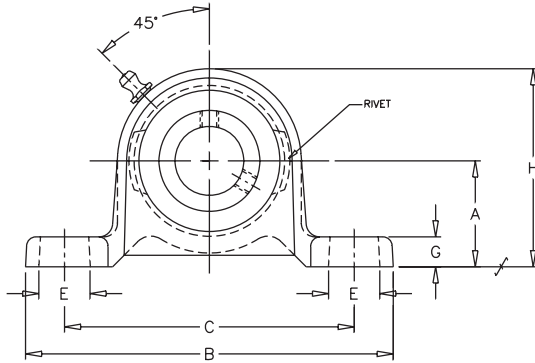
VPS-100M



100

100 1
 INTERMEDIATE 0
 DUTY 0
 DUCTILE M

Lock: Set Screw
 Seal: Contact
 Housing: Ductile
 Temperature: -20°F to 200°F
 Self Alignment: ±1.5°
 Inserts: VS-100
 Dimensions pg 47
 Ratings pg 48



Bore Size	Fitting
1/2" - 1 7/16"	1/4" - 28NF

SHAFT DIA. IN	UNIT NO.	BRG. NO.	Dimensions In Inches										UNIT WT.
			A	B	C	D	E	F	G	H	J	K	
1/2	VPS-108M	VS-108	1 3/16	4 7/16	3 7/16	1	21/32	7/16	11/32	2 5/32	15/16	5/8	0.7
5/8	VPS-110M	VS-110											
3/4	VPS-112M	VS-112	1 5/16	4 3/4	3 3/4	1 1/16	21/32	7/16	3/8	2 7/16	1 1/16	23/32	0.9
7/8	VPS-114M	VS-114											
15/16	VPS-115M	VS-115	1 7/16	5	3 15/16	1 1/8	21/32	7/16	13/32	2 11/16	1 7/64	49/64	1.1
1	VPS-116M	VS-116											
1 1/8	VPS-118M	VS-118											
1 3/16	VPS-119M	VS-119	1 11/16	5 15/16	4 23/32	1 5/16	27/32	9/16	13/32	3 5/32	1 5/32	25/32	1.6
1 1/4	VPS-120SM	VS-120S											
1 1/4	VPS-120M	VS-120											
1 3/8	VPS-122M	VS-122	1 7/8	6 1/4	5	1 3/8	27/32	9/16	7/16	3 9/16	1 9/32	55/64	2.4
1 7/16	VPS-123M	VS-123											

CROSS REFERENCE TO COMPETITORS PRODUCTS

		REPLACES SEALMASTER BRONZE LP	
		REPLACES HUB CITY PB 150	REPLACES BOSTON XL**

Refer to Interchange Section Page 166 for more detail.
 **-Non-Relubricable

See page 156 for trademark acknowledgments.