

Set Screw



100

Browning[®]

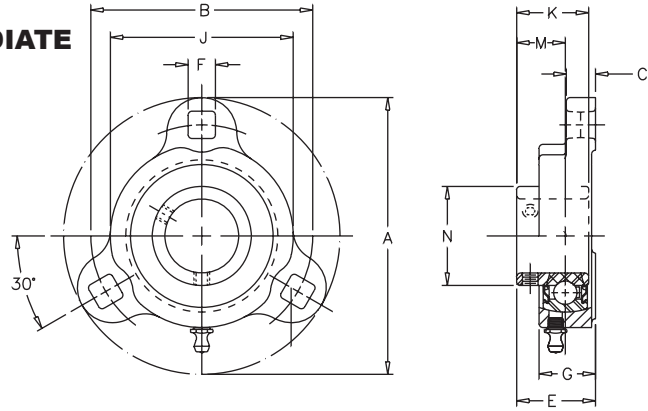
Ball Bearings

VF3S-100M

Lock: Set Screw
Seal: Contact
Housing: Ductile
Temperature: -20°F to 200°F
Self Alignment: ±1.5°
Inserts: VS-100
 Dimensions pg 47
 Ratings pg 48

V VALUE & QUALITY
F FLANGE
3 THREE BOLT
S SET SCREW

1 100
0 INTERMEDIATE
0 DUTY
M DUCTILE



Bore Size	Fitting
1/2" - 1 7/16"	1/4" - 28NF

SHAFT DIA. IN	UNIT NO.	BRG. NO.	Dimensions in Inches										UNIT WT.	
			A	B	C	E	F	G	J	K	M	N		
1/2	VF3S-108M	VS-108												
5/8	VF3S-110M	VS-110	3 3/16	2 1/2	13/32	31/32	19/64	5/8	1 15/16	15/16	5/8	31/32	.60	
3/4	VF3S-112M	VS-112	3 9/16	2 13/16	7/16	1 7/64	23/64	23/32	2 1/4	1 1/16	23/32	1 3/16	.81	
7/8	VF3S-114M	VS-114												
15/16	VF3S-115M	VS-115	3 3/4	3	7/16	1 3/16	23/64	25/32	2 1/2	1 7/64	49/64	1 3/8	1.05	
1	VF3S-116M	VS-116												
1 1/8	VF3S-118M	VS-118												
1 3/16	VF3S-119M	VS-119	4 7/16	3 9/16	15/32	1 17/64	27/64	29/32	2 15/16	1 5/32	25/32	1 19/32	1.50	
1 1/4	VF3S-120SM	VS-120S												
1 1/4	VF3S-120M	VS-120												
1 3/8	VF3S-122M	VS-122	4 13/16	3 15/16	1/2	1 25/64	27/64	31/32	3 3/8	1 9/32	55/64	1 55/64	2.00	
1 7/16	VF3S-123M	VS-123												

CROSS REFERENCE TO COMPETITORS PRODUCTS

REPLACES DODGE LF-SC		REPLACES SEALMASTER BRONZE LF	
	REPLACES LINK-BELT F-UG 200N*	REPLACES HUB CITY FB 150	REPLACES BOSTON XL3**

Refer to Interchange Section Page 166 for more detail.

*-3 Bolt Only

**-Non-Relubricable