

Set Screw



100

**Browning**<sup>®</sup>

**Ball Bearings**

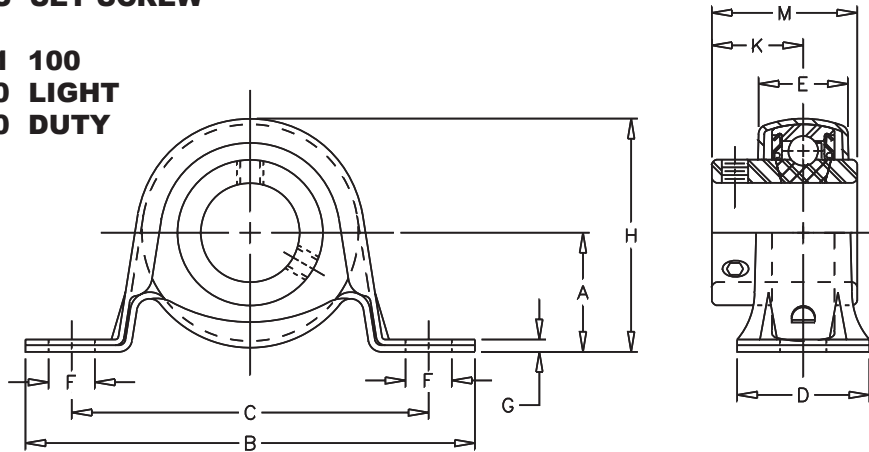
# SSPS-100

**Lock:** Set Screw  
**Seal:** Contact  
**Housing:** Stamped Steel  
**Temperature:** -20°F to 200°F  
**Inserts:** LRS-100  
 Dimensions pg 45

**S STAMPED**  
**S STEEL**  
**P PILLOW BLOCK**  
**S SET SCREW**

**1 100**  
**0 LIGHT**  
**0 DUTY**

No Re-Lube



SHAFT DIA. IN.	MAX STEADY RADIAL LOAD LBS	UNIT NO.	BRG NO.	Dimensions In Inches										UNIT WT.
				A	B	C	D	E	F	G	H	K	M	
7/8	400	SSPS-114	LRS-114											
15/16		SSPS-115	LRS-115	1 1/8	4 1/4	3 3/8	1 1/4	27/32	7/16	1/8	2 13/64	7/8	1 3/8	0.6
1		SSPS-116	LRS-116											
1 1/8	600	SSPS-118	LRS-118											
1 3/16		SSPS-119	LRS-119	1 5/16	4 5/8	3 3/4	1 3/8	61/64	7/16	5/32	2 19/32	7/8	1 19/32	1.0
1 1/4		SSPS-120S	LRS-120S											

## CROSS REFERENCE TO COMPETITORS PRODUCTS

REPLACES DODGE P2B-SL	REPLACES MB PS-25	REPLACES SEALMASTER BRONZE SSP	REPLACES NTN ASPP2
	REPLACES HUB CITY PB 100S		REPLACES BOSTON PS

Refer to Interchange Section Page 166 for more detail.