

Browning®

Ball Bearings

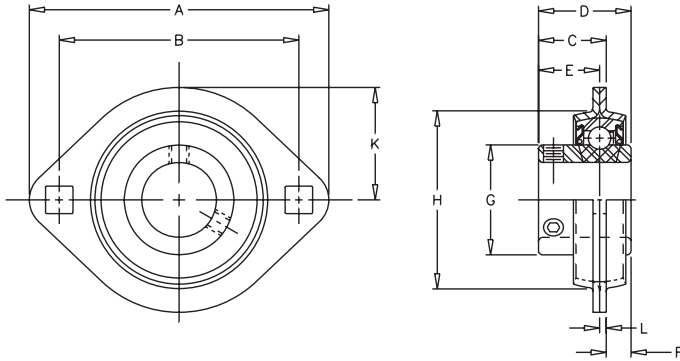


STAMPED S
 STEEL S
 FLANGE F
 TWO BOLT 2
 SET SCREW S

SSF2S-100

Lock: Set Screw
 Seal: Contact
 Housing: Stamped Steel
 Temperature: -20°F to 200°F
 Inserts: LS-100
 Dimensions pg 46

100 1
 LIGHT 0
 DUTY 0



No Re-Lube

SHAFT DIA. IN.	MAX STEADY RADIAL LOAD LBS.	UNIT NO.	BRG. NO.	Dimensions In Inches										BOLT SIZE	UNIT WT.
				A	B	C	D	E	F	G	H	K	L		
1/2	600	SSF2S-108	LS-108	3 3/16	2 1/2	45/64	15/16	5/8	15/64	31/32	1 47/64	1 1/8	.075	1/4	.6
5/8		SSF2S-110	LS-110												
3/4	600	SSF2S-112	LS-112	3 9/16	2 13/16	51/64	1 1/16	23/32	1/4	1 3/16	2 1/64	1 5/16	.083	5/16	.8
7/8	800	SSF2S-114	LS-114												
15/16		SSF2S-115	LS-115	3 3/4	3	55/64	1 7/64	49/64	1/4	1 3/8	2 7/32	1 13/32	.083	5/16	.9
1		SSF2S-116	LS-116												
1 1/8	1100	SSF2S-118	LS-118												
1 3/16		SSF2S-119	LS-119	4 7/16	3 9/16	57/64	1 5/32	25/32	17/64	1 19/32	2 21/32	1 21/32	.104	3/8	1.0
1 1/4		SSF2S-120S	LS-120S												

CROSS REFERENCE TO COMPETITORS PRODUCTS

REPLACES DODGE F2B-SL	REPLACES MB FPS2-25	REPLACES SEALMASTER BRONZE SSFT	REPLACES NTN ASPFL 2
	REPLACES LINK-BELT MST	REPLACES HUB CITY FB110S	REPLACES BOSTON PS2

Refer to Interchange Section Page 166 for more detail.

See page 156 for trademark acknowledgments.