

Set Screw



100

SSF3S-100

Lock: Set Screw
 Seal: Contact
 Housing: Stamped Steel
 Temperature: -20°F to 200°F
 Inserts: LS-100
 Dimensions pg 46

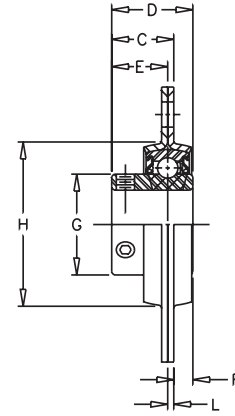
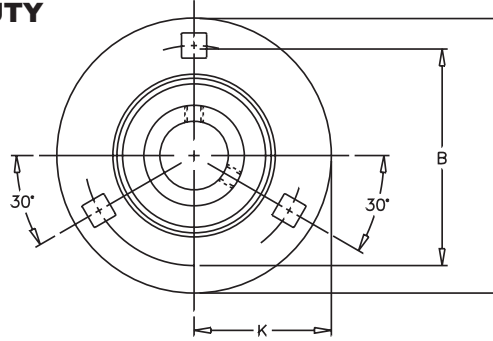
No Re-Lube

S STAMPED
S STEEL
F FLANGE
3 THREE BOLT
S SET SCREW

1 100
0 LIGHT
0 DUTY

Browning[®]

Ball Bearings



SHAFT DIA. IN.	MAX STEADY RADIAL LOAD LBS	UNIT NO.	BRG NO.	Dimensions In Inches										BOLT SIZE	UNIT WT.
				A	B	C	D	E	F	G	H	K	L		
3/4	700	SSF3S-112	LS-112	3 9/16	2 13/16	13/16	1 1/16	23/32	1/4	1 3/16	2 1/64	1 25/32	.083	5/16	1.0
7/8	800	SSF3S-114	LS-114	3 3/4	3	55/64	1 7/64	49/64	1/4	1 3/8	2 7/32	1 7/8	.083	5/16	1.3
15/16		SSF3S-115	LS-115												
1		SSF3S-116	LS-116												
1 1/8	1100	SSF3S-118	LS-118	4 7/16	3 9/16	57/64	1 5/32	25/32	17/64	1 19/32	2 21/32	2 7/16	.104	3/8	1.5
1 3/16		SSF3S-119	LS-119												
1 1/4		SSF3S-120S	LS-120S												
1 1/4	1400	SSF3S-120	LS-120	4 13/16	3 15/16	31/32	1 9/32	55/64	5/16	1 55/64	3 1/16	2 13/32	.104	3/8	1.8
1 3/8		SSF3S-122	LS-122												
1 7/16		SSF3S-123	LS-123												

CROSS REFERENCE TO COMPETITORS PRODUCTS

REPLACES DODGE F3B-SL	REPLACES MB FPS3-25	REPLACES SEALMASTER BRONZE SSF	REPLACES NTN ASPF2
	REPLACES LINK-BELT MS*	REPLACES HUB CITY FB 100S	REPLACES BOSTON PS3

Refer to Interchange Section Page 166 for more detail.
 *-Bearings not included