



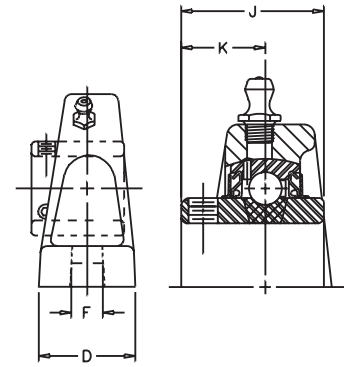
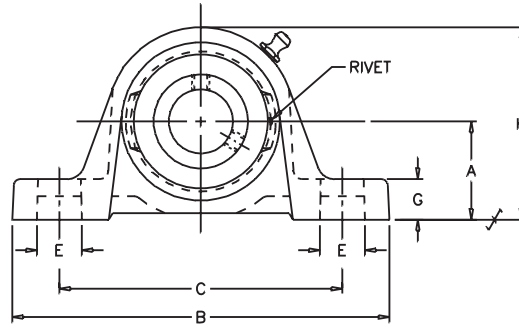
VPS-200

Lock: Set Screw
Seal: Contact
Housing: Cast Iron
Temperature: -20°F to 200°F
Self Alignment: ±1.5°
Inserts: VS-200
 Dimension pg 18
 Ratings pg 19

V VALUE and QUALITY
P PILLOW BLOCK
S SET SCREW

2 200
0 NORMAL
0 DUTY

Bore Size	Fitting
1/2" - 1 1/4" S	1/4" - 28NF
1 1/4" - 2 15/16"	1/8" NPT



SHAFT DIA. IN	UNIT NO.	BRG NO.	Dimensions in Inches										BOLT SIZE IN.	UNIT WT.
			A	B	C	D	E	F	G	H	J	K		
1/2	VPS-208	VS-208	1 3/16	4 7/8	3 5/8	1 7/32	7/8	7/16	15/32	2 7/32	1 1/32	5/8	3/8	.9
5/8	VPS-210	VS-210	1 3/16	4 7/8	3 5/8	1 7/32	7/8	7/16	15/32	2 7/32	1 1/32	5/8	3/8	.9
3/4	VPS-212	VS-212	1 5/16	5	3 25/32	1 11/32	25/32	7/16	17/32	2 17/32	1 7/32	23/32	3/8	1.4
7/8	VPS-214	VS-214	1 7/16	5 1/2	4 1/8	1 13/32	13/16	7/16	19/32	2 13/16	1 3/8	13/16	3/8	1.5
15/16	VPS-215	VS-215	1 7/16	5 1/2	4 1/8	1 13/32	13/16	7/16	19/32	2 13/16	1 3/8	13/16	3/8	1.5
1	VPS-216	VS-216	1 7/16	5 1/2	4 1/8	1 13/32	13/16	7/16	19/32	2 13/16	1 3/8	13/16	3/8	1.5
1 1/8	VPS-218	VS-218	1 11/16	6 3/16	4 5/8	1 3/4	15/16	9/16	21/32	3 9/32	1 1/2	7/8	1/2	2.5
1 3/16	VPS-219	VS-219	1 11/16	6 3/16	4 5/8	1 3/4	15/16	9/16	21/32	3 9/32	1 1/2	7/8	1/2	2.5
1 1/4	VPS-220S	VS-220S	1 7/8	6 3/4	5	1 3/4	7/8	9/16	23/32	3 11/16	1	1	1/2	3.5
1 1/4	VPS-220	VS-220	1 7/8	6 3/4	5	1 3/4	7/8	9/16	23/32	3 11/16	1	1	1/2	3.5
1 3/8	VPS-222	VS-222	1 7/8	6 3/4	5	1 3/4	7/8	9/16	23/32	3 11/16	1	1	1/2	3.5
1 7/16	VPS-223	VS-223	1 7/8	6 3/4	5	1 3/4	7/8	9/16	23/32	3 11/16	1	1	1/2	3.5
1 1/2	VPS-224	VS-224	2	7 1/8	5 3/8	1 15/16	1	9/16	13/16	4	1 15/16	1 3/16	1/2	4.7
1 5/8	VPS-226	VS-226	2 1/8	7 3/8	5 21/32	2	29/32	9/16	3/4	4 1/4	1 15/16	1 3/16	1/2	5.5
1 11/16	VPS-227	VS-227	2 1/8	7 3/8	5 21/32	2	29/32	9/16	3/4	4 1/4	1 15/16	1 3/16	1/2	5.5
1 3/4	VPS-228	VS-228	2 1/8	7 3/8	5 21/32	2	29/32	9/16	3/4	4 1/4	1 15/16	1 3/16	1/2	5.5
1 15/16	VPS-231	VS-231	2 1/4	8	6 3/16	2 3/16	15/16	11/16	3/4	4 9/16	2 1/32	1 9/32	5/8	6.0
2	VPS-232S	VS-232S	2 1/4	8	6 3/16	2 3/16	15/16	11/16	3/4	4 9/16	2 1/32	1 9/32	5/8	6.0
2	VPS-232	VS-232	2 1/2	8 13/16	6 15/16	2 5/16	1	11/16	7/8	4 31/32	2 3/16	1 5/16	5/8	7.8
2 3/16	VPS-235	VS-235	2 1/2	8 13/16	6 15/16	2 5/16	1	11/16	7/8	4 31/32	2 3/16	1 5/16	5/8	7.8
2 1/4	VPS-236	VS-236	2 3/4	9 1/2	7 13/32	2 3/8	1 5/32	11/16	7/8	5 9/16	2 9/16	1 9/16	5/8	10.1
2 7/16	VPS-239	VS-239	2 3/4	9 1/2	7 13/32	2 3/8	1 5/32	11/16	7/8	5 9/16	2 9/16	1 9/16	5/8	10.1
2 15/16	VPS-247	VS-247	3 5/16	12	9 1/2	2 7/8	1 1/4	15/16	1	6 5/8	3 1/16	1 3/4	7/8	16.9

⊗ Air Handling (AH) to order specify AH suffix, i.e. VPS-216 AH (See page 50)

⊗ Nickel Plated (NK) to order specify NK suffix, i.e. VPS-216 NK

CROSS REFERENCE TO COMPETITORS PRODUCTS

REPLACES DODGE P2B-SC		REPLACES SKF SY-TM	REPLACES NTN UCP2
REPLACES FAFNIR YAS	REPLACES LINK-BELT P3-U200N	REPLACES HUB CITY PB251W*	REPLACES BOSTON SH

Refer to Interchange Section Page 166 for more detail.

* - Malleable casting